

# CHERRY Snap Action Switches



## CHERRY E SERIES: SUBMINIATURE SNAP ACTION SWITCHES

### Specifications:

- Package Size (In.) .781L x .250W x .352H

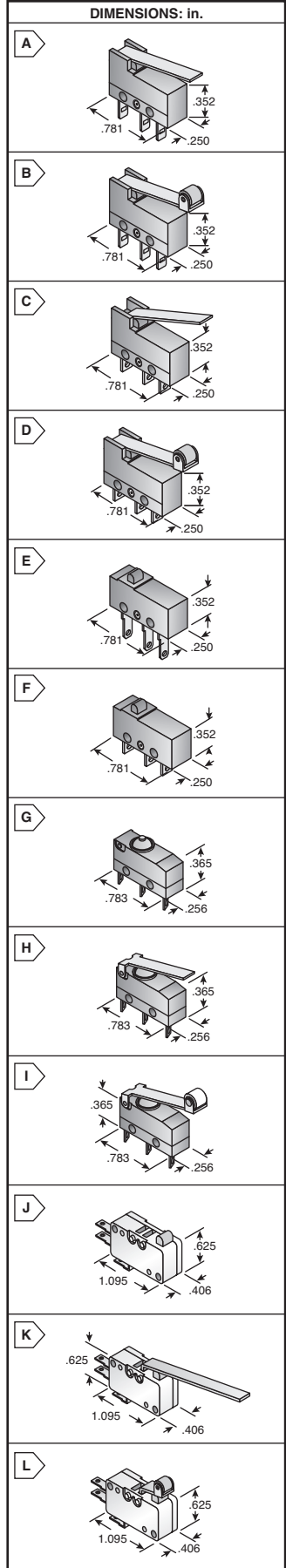
### Typical Applications:

- Amusement Machines
- Appliances



For quantities greater than 500, call for quote.

MOUSER STOCK NO.	Cherry Part No.	Fig.	Terminal Type	Actuator Length: in.	Actuator Style	Operating Force	Operating Position: in.	Price Each			
								1	50	100	250
<b>0.1A, 125 VAC</b>											
540-E63-00H	E63-00H	A	.093 Q.C.	0.271	Straight	27g	0.350±0.030	4.78	3.82	3.15	2.87
540-E63-00K	E63-00K	B	.093 Q.C.	0.201	Roller	30g	0.570±0.030	5.27	4.21	3.48	3.16
540-E63-10H	E63-10H	C	.143 Short Solder	0.271	Straight	27g	0.350±0.030	5.00	4.00	3.30	3.00
540-E63-10K	E63-10K	D	.143 Short Solder	0.201	Roller	30g	0.570±0.030	5.07	4.05	3.35	3.04
540-E63-30K	E63-30K	B	.110 Q.C.	0.201	Roller	30g	0.570±0.030	5.22	4.17	3.44	3.13
<b>5A, 125/250 VAC</b>											
540-E61-00A	E61-00A	E	.093 Q.C.	-----	Button	90g	0.330±0.015	3.29	2.63	2.17	1.98
540-E61-00H	E61-00H	A	.093 Q.C.	0.271	Straight	27g	0.350±0.030	4.73	3.78	3.12	2.84
540-E61-00K	E61-00K	B	.093 Q.C.	0.201	Roller	30g	0.570±0.030	5.04	4.03	3.32	3.02
540-E61-10A	E61-10A	F	.143 Short Solder	-----	Button	90g	0.330±0.015	3.29	2.63	2.17	1.98
540-E61-10H	E61-10H	C	.143 Short Solder	0.271	Straight	27g	0.350±0.030	4.73	3.78	3.12	2.84
540-E61-10K	E61-10K	D	.143 Short Solder	0.201	Roller	30g	0.570±0.030	5.04	4.03	3.32	3.02
540-E61-30A	E61-30A	E	.110 Q.C.	-----	Button	90g	0.330±0.015	3.29	2.63	2.17	1.98
540-E61-30K	E61-30K	B	.110 Q.C.	0.201	Roller	27g	0.350±0.030	5.04	4.03	3.32	3.02
540-E61-60H	E61-60H	C	.143 Short Solder	0.396	Straight HR	9g	0.350±0.175	4.73	3.78	3.12	2.84
<b>10.1A, 125/250 VAC</b>											
540-E62-00A	E62-00A	E	.093 Q.C.	-----	Button	212g	0.330±0.015	3.72	2.98	2.46	2.23
540-E62-00H	E62-00H	A	.093 Q.C.	0.271	Straight	59g	0.350±0.030	4.73	3.78	3.12	2.84
540-E62-00K	E62-00K	B	.093 Q.C.	0.201	Roller	65g	0.570±0.030	5.44	4.35	3.59	3.26
540-E62-10A	E62-10A	F	.143 Short Solder	-----	Button	212g	0.330±0.015	3.72	2.98	2.46	2.23
540-E62-10H	E62-10H	C	.143 Short Solder	0.271	Straight	59g	0.350±0.030	4.73	3.78	3.12	2.84
540-E62-10K	E62-10K	D	.143 Short Solder	0.201	Roller	65g	0.570±0.030	5.44	4.35	3.59	3.26
540-E62-30A	E62-30A	E	.110 Q.C.	-----	Button	212g	0.330±0.015	3.72	2.98	2.46	2.23
540-E62-30K	E62-30K	B	.110 Q.C.	0.201	Roller	65g	0.570±0.030	5.44	4.35	3.59	3.26
540-E62-50K	E62-50K	B	.093 Q.C.	0.326	Roller HR	33g	0.570±0.158	5.44	4.35	3.59	3.26
540-E62-60H	E62-60H	C	.143 Short Solder	0.396	Straight HR	20g	0.350±0.175	4.73	3.78	3.12	2.84



## CHERRY DC SERIES: SEALED SNAP ACTION SWITCHES

### Specifications:

- Package Size (In.) .783L x .256W x .365H

### Typical Applications:

- Automotive
- Lawn and Garden
- Power Tools



For quantities greater than 500, call for quote.

MOUSER STOCK NO.	Cherry Part No.	Fig.	Terminal Type	Actuator Length: in.	Actuator Style	Operating Force	Operating Position: in.	Price Each			
								1	50	100	250
<b>UL 0.1A, 125 VAC ENEC 0.1A, 250 VAC</b>											
540-DC3C-A1AA	DC3C-A1AA	G	.110 Short Solder	-----	Button	200g	.331±.012	4.30	3.43	2.83	2.58
540-DC3C-A1LB	DC3C-A1LB	H	.110 Short Solder	0.189	Straight	80g	.331±.012	5.27	4.21	3.48	3.16
<b>UL 5.0A, 125-250 VAC, ENEC 6 A, 250 VAC</b>											
540-DC1C-A1AA	DC1C-A1AA	G	.110 Short Solder	-----	Button	200g	.331±.012	3.97	3.18	2.62	2.38
540-DC1C-A1LB	DC1C-A1LB	H	.110 Short Solder	0.189	Straight	200g	.331±.012	4.41	3.53	2.91	2.65
540-DC1C-A1RB	DC1C-A1RB	I	.110 Short Solder	0.098	Roller	200g	.331±.012	6.42	5.13	4.23	3.85
<b>10.1A, 125-250 VAC, ENEC 0.1A, 250 VAC</b>											
540-DC2C-A1AA	DC2C-A1AA	G	.110 Short Solder	-----	Button	340g	.331±.012	4.67	3.73	3.07	2.80
540-DC2C-A1LB	DC2C-A1LB	H	.110 Short Solder	0.189	Straight	150g	.331±.012	5.18	4.15	3.42	3.11

## CHERRY D4 SERIES: MINIATURE SNAP ACTION SWITCHES

### Specifications:

- Package Size (In.) 1.095L x .406W x .625H

### Typical Applications:

- Appliances
- Office Equipment
- Vending Machines
- Microwave Ovens



For quantities greater than 500, call for quote.

MOUSER STOCK NO.	Cherry Part No.	Fig.	Terminal Type	Actuator Length: in.	Actuator Style	Operating Force	Operating Position: in.	Price Each			
								1	50	100	250
<b>0.1A, 125/250 VAC</b>											
540-D41C-R1AA	D41C-R1AA	J	.187 Q.C.	-----	Button	75g	.558-.598	4.41	3.53	2.91	2.65
540-D41C-R1LD	D41C-R1LD	K	.187 Q.C.	1.4	Straight	40g	.555-.645	4.83	3.86	3.18	2.90
<b>3A, 125/250 VAC</b>											
540-D42L-R1XL	D42L-R1XL	K	.187 Q.C.	2.757	Straight	2g	.425-.775	4.27	3.42	2.82	2.56
<b>5A, 1/4 HP 125/250 VAC</b>											
540-D43C-R1RA	D43C-R1RA	L	.187 Q.C.	0.81	Roller	170g	.776-.836	3.47	2.78	2.29	2.08
540-D43L-R1ML	D43L-R1ML	K	.187 Q.C.	2.932	Straight	6g	.442-.775	3.36	2.69	2.22	2.02
<b>10A, 1/2 HP 125/250 VAC</b>											
540-D44C-R1AA	D44C-R1AA	J	.187 Q.C.	-----	Button	285g	.558-.598	2.53	2.02	1.67	1.52
540-D44C-R1RA	D44C-R1RA	L	.187 Q.C.	0.81	Roller	285g	.776-.836	3.18	2.54	2.10	1.91
540-D44L-R1AA	D44L-R1AA	J	.187 Q.C.	-----	Button	75g	.558-.598	2.65	2.12	1.75	1.59
540-D44L-R1LD	D44L-R1LD	K	.187 Q.C.	1.4	Straight	37g	.555-.645	2.92	2.34	1.93	1.75
540-D44L-R1ML	D44L-R1ML	K	.187 Q.C.	2.932	Straight	10g	.425-.775	3.14	2.51	2.07	1.89
540-D44L-R1RA	D44L-R1RA	L	.187 Q.C.	0.81	Roller	75g	.776-.836	3.53	2.82	2.33	2.12
<b>15A, 1/2 HP 125/250 VAC</b>											
540-D45C-R1AA	D45C-R1AA	J	.187 Q.C.	-----	Button	400g	.558-.598	2.90	2.32	1.91	1.74
540-D45L-R1AA	D45L-R1AA	J	.187 Q.C.	-----	Button	100g	.558-.598	2.90	2.32	1.91	1.74

