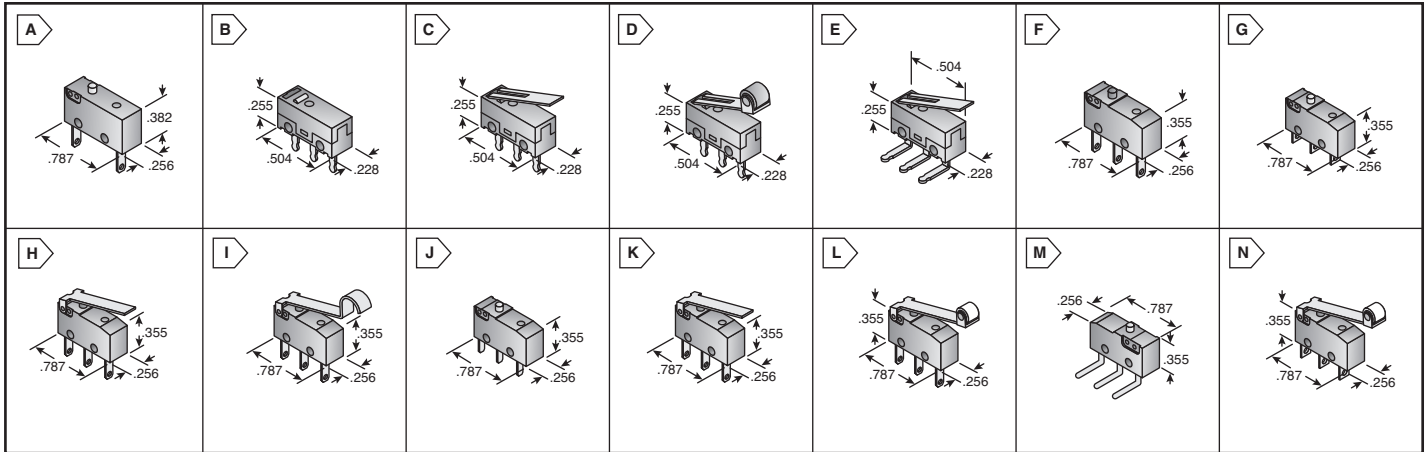


CHERRY Snap Action Switches



CHERRY DZ SERIES: SUBMINIATURE SWITCH WITH POSITIVE BREAK ACTION

Specifications:

- Switching high inductive loads 3 (3) A 250 V ~ 5E4
- Approved according to ENEC and UL

Typical Applications:

- Electrical drives for sun-blinds, adjustable beds, armchairs, doors, gates
- Auxiliary switches for medium-voltage systems
- Limit switches



RoHS Compliant

For quantities greater than 500, call for quote.

| MOUSER STOCK NO. | Cherry Part No. | Fig. | Terminal Type | Actuator Length: in. | Actuator Style | Operating Force | Operating Position: in. | Price Each | | | |
|------------------|-----------------|------|---------------|----------------------|----------------|-----------------|-------------------------|------------|------|------|------|
| | | | | | | | | 1 | 50 | 100 | 250 |
| 540-DZ1F-B1BA | DZ1F-B1BA | A | .100 QC | ---- | Button | 220 cN max. | 8.4 +0.3/-0.2 | 4.46 | 3.57 | 2.94 | 2.68 |

CHERRY DG SERIES: SUB-SUBMINIATURE SNAP ACTION SWITCHES

Specifications:

- Package Size (In.) .504L x .228W x .255H

Typical Applications:

- Automotive
- Computer
- Medical Equipment



RoHS Compliant

For quantities greater than 500, call for quote.

| MOUSER STOCK NO. | Cherry Part No. | Fig. | Terminal Type | Actuator Length: in. | Actuator Style | Operating Force | Operating Position: in. | Price Each | | | |
|------------------------------|-----------------|------|-----------------------|----------------------|----------------|-----------------|-------------------------|------------|------|------|------|
| | | | | | | | | 1 | 50 | 100 | 250 |
| 50mA 30 VDC | | | | | | | | | | | |
| 540-DG23-B1AA | DG23-B1AA | B | Insertion Molded | ---- | Button | 140 | .213±.008 | 1.83 | 1.46 | 1.20 | 1.10 |
| 540-DG23-B1LA | DG23-B1LA | C | Insertion Molded | 0.169 | Straight | 140 | .268±.031/-0.16 | 1.94 | 1.55 | 1.28 | 1.16 |
| 540-DG23-B1RA | DG23-B1RA | D | Insertion Molded | 0.075 | Roller | 140 | .488±.020 | 3.83 | 3.07 | 2.53 | 2.30 |
| 540-DG23-B3LA | DG23-B3LA | E | Insertion Molded Left | 0.169 | Straight | 140 | .268±.031/-0.16 | 1.94 | 1.55 | 1.28 | 1.16 |
| 3A 125 VAC, 2A 30 VDC | | | | | | | | | | | |
| 540-DG13-B1AA | DG13-B1AA | B | Insertion Molded | ---- | Button | 140 | .213±.008 | 1.74 | 1.39 | 1.15 | 1.04 |
| 540-DG13-B1LA | DG13-B1LA | C | Insertion Molded | 0.169 | Straight | 140 | .268±.031/-0.16 | 1.90 | 1.51 | 1.25 | 1.14 |
| 540-DG13-B1RA | DG13-B1RA | D | Insertion Molded | 0.075 | Roller | 140 | .488±.020 | 3.60 | 2.88 | 2.37 | 2.16 |

CHERRY DB SERIES: SUBMINIATURE SNAP ACTION SWITCHES

Specifications:

- Package Size (In.) .787L x .256W x .355H
- DBxA: NO
- DBxB: NC
- DBxC: DT

Typical Applications:

- Amusement Machines
- Industrial Controls



RoHS Compliant

For quantities greater than 500, call for quote.

| MOUSER STOCK NO. | Cherry Part No. | Fig. | Terminal Type | Actuator Length: in. | Actuator Style | Operating Force | Operating Position: in. | Price Each | | | |
|--|-----------------|------|-------------------|----------------------|-------------------------|-----------------|-------------------------|------------|------|------|------|
| | | | | | | | | 1 | 50 | 100 | 250 |
| UL 0.1A, 125-250 VAC; VDE 100mA, 250V | | | | | | | | | | | |
| 540-DB3C-B1AA | DB3C-B1AA | F | .110 x 0.20 QC | ---- | Button | 150g | .330±.012 | 1.89 | 1.51 | 1.25 | 1.13 |
| 540-DB3C-A1AA | DB3C-A1AA | G | .110 Short Solder | ---- | Button | 150g | .330±.012 | 1.84 | 1.47 | 1.21 | 1.10 |
| 540-DB3C-B1LB | DB3C-B1LB | H | .110 x 0.20 QC | 0.189 | Lever SR | 60g | .421±.051 | 2.39 | 1.91 | 1.58 | 1.43 |
| 540-DB3C-B1SC | DB3C-B1SC | I | .110 x 0.20 QC | 0.185 | Strght w/Sim. Roller SR | 55g | .646±.059 | 2.39 | 1.91 | 1.58 | 1.43 |
| 540-DB3C-C1AA | DB3C-C1AA | J | .051 x 0.20 PCB | ---- | Button | 150g | .330±.012 | 1.84 | 1.47 | 1.21 | 1.10 |
| UL 5.0A, 125-250 VAC; VDE 6A, 250V | | | | | | | | | | | |
| 540-DB1C-A1AA | DB1C-A1AA | G | .110 Short Solder | ---- | Button | 150g | .330±.012 | 1.56 | 1.25 | 1.03 | .93 |
| 540-DB1A-C1AA | DB1A-C1AA | --- | .051 x 0.20 PCBNC | ---- | Button | 150g | .330±.012 | 1.68 | 1.34 | 1.11 | 1.01 |
| 540-DB1C-A1LB | DB1C-A1LB | K | .110 Short Solder | 0.189 | Lever SR | 60g | .421±.051 | 2.21 | 1.76 | 1.46 | 1.32 |
| 540-DB1C-B1AA | DB1C-B1AA | F | .110 x 0.20 QC | ---- | Button | 150g | .330±.012 | 1.71 | 1.37 | 1.13 | 1.02 |
| 540-DB1C-B1RC | DB1C-B1RC | L | .110 x 0.20 QC | 0.185 | Roller SR | 55g | .638±.059 | 3.20 | 2.56 | 2.11 | 1.92 |
| 540-DB1C-C1AA | DB1C-C1AA | J | .051 x 0.20 PCB | ---- | Button | 150g | .330±.012 | 1.71 | 1.37 | 1.13 | 1.02 |
| 540-DB1C-D1AA | DB1C-D1AA | J | .024 x 0.20 PCB | ---- | Button | 150g | .330±.012 | 1.71 | 1.37 | 1.13 | 1.02 |
| 540-DB1C-D5AA | DB1C-D5AA | M | .024 x 0.20 PCB | ---- | Button | 150g | .330±.012 | 1.92 | 1.53 | 1.27 | 1.15 |
| UL 10.1A, 125-250 VAC 1/4 HP, 125 VAC; VDE 10 (1.5) A, 250V | | | | | | | | | | | |
| 540-DB2C-A1RC | DB2C-A1RC | N | .110 Short Solder | 0.185 | Roller SR | 95g | .638±.071 | 3.18 | 2.54 | 2.10 | 1.91 |
| 540-DB2C-B1AA | DB2C-B1AA | F | .110 x 0.20 QC | ---- | Button | 250g | .330±.012 | 1.71 | 1.37 | 1.13 | 1.02 |
| 540-DB2C-B1RC | DB2C-B1RC | L | .110 x 0.20 QC | 0.185 | Roller SR | 95g | .638±.071 | 3.20 | 2.56 | 2.11 | 1.92 |
| 540-DB2C-C1AA | DB2C-C1AA | J | .051 x 0.20 PCB | ---- | Button | 250g | .330±.012 | 1.71 | 1.37 | 1.13 | 1.02 |