

# PHOENIX CONTACT Interface Modules



## VARIOFACE MODULES FOR FLAT RIBBON PLUG CONNECTORS

- FLK Plug connectors connect all signals 1:1
- Screw Connection for discrete wiring

- ZB Channel for flexible module marking with CLIPLINE accessories
- Designed to mount on Din-Rail NS 357.5 or NS 32

For quantities of 25 and up, call for quote.

MOUSER STOCK NO.		Fig.	Phoenix Type	No. of Pos.	No. of Levels	Gender	AWG	Dimensions W x L x H (mm)	Price Each		
Mfr.	Mfr. Part No.								1	5	10
651-2315010	A	VIP-2/SC/FLK10	10	2	Male	24-12	35 x 65 x 50	29.65	28.14	26.78	
651-2315023	A	VIP-2/SC/FLK14	14	2	Male	24-12	40 x 65 x 50	33.35	31.65	30.12	
651-2315036	A	VIP-2/SC/FLK16	16	2	Male	24-12	45 x 65 x 50	34.91	33.14	31.54	
651-2315049	A	VIP-2/SC/FLK20	20	2	Male	24-12	55 x 65 x 50	40.36	38.31	36.46	
651-2315052	A	VIP-3/SC/FLK26	26	3	Male	24-12	58 x 69 x 61	44.84	42.56	40.50	
651-2315065	A	VIP-3/SC/FLK34	34	3	Male	24-12	68 x 69 x 61	54.33	51.57	49.08	
651-2315078	A	VIP-3/SC/FLK40	40	3	Male	24-12	78 x 69 x 61	60.22	57.15	54.39	
651-2315081	A	VIP-3/SC/FLK50	50	3	Male	24-12	93 x 69 x 61	69.83	66.28	63.07	
651-2315094	A	VIP-3/SC/FLK60	60	3	Male	24-12	108 x 69 x 61	83.80	79.54	75.69	
651-2315104	A	VIP-3/SC/FLK64	64	3	Male	24-12	118 x 69 x 61	81.78	77.62	73.87	

## VARIOFACE MODULES FOR FLAT RIBBON PLUGS W/ LED INDICATORS

- Same features as standard Flat Ribbon Plug interface modules but with LED indication when signal is present.

For quantities of 25 and up, call for quote.

MOUSER STOCK NO.		Fig.	Phoenix Type	No. of Pos.	No. of Levels	Gender	AWG	Dimensions W x L x H (mm)	Price Each		
Mfr.	Mfr. Part No.								1	5	10
651-2322061	A	VIP-2/SC/FLK16/LED	16	2	Male	24-12	45 x 65 x 50	68.26	63.01	58.51	
651-2322074	A	VIP-2/SC/FLK20/LED	20	2	Male	24-12	55 x 65 x 50	75.05	69.28	64.33	
651-2322087	A	VIP-3/SC/FLK26/LED	26	3	Male	24-12	58 x 69 x 61	81.95	75.65	70.25	
651-2322090	A	VIP-3/SC/FLK34/LED	34	3	Male	24-12	68 x 69 x 61	98.36	90.79	84.31	
651-2322100	A	VIP-3/SC/FLK40/LED	40	3	Male	24-12	78 x 69 x 61	107.95	99.64	92.53	
651-2322113	A	VIP-3/SC/FLK50/LED	50	3	Male	24-12	93 x 69 x 61	118.87	109.73	101.89	
651-2322126	A	VIP-3/SC/FLK60/LED	60	3	Male	24-12	108 x 69 x 61	133.91	123.61	114.78	
651-2322139	A	VIP-3/SC/FLK64/LED	64	3	Male	24-12	118 x 69 x 61	143.47	132.44	122.98	

## VARIOFACE MODULES FOR D-SUBMINIATURE CONNECTORS

- D-Sub connectors connect all signals 1:1
- Screw Connection for discrete wiring

- ZB Channel for flexible module marking with CLIPLINE accessories
- Designed to mount on Din-Rail NS 357.5 or NS 32

For quantities of 25 and up, call for quote.

MOUSER STOCK NO.		Fig.	Phoenix Type	No. of Pos.	No. of Levels	Gender	AWG	Dimensions W x L x H (mm)	Price Each		
Mfr.	Mfr. Part No.								1	5	10
651-2315117	B	VIP-2/SC/D 9SUB/M	9	2	Male	24-12	35 x 65 x 46	34.91	33.14	31.54	
651-2315120	B	VIP-2/SC/D15SUB/M	15	2	Male	24-12	45 x 65 x 46	36.71	35.56	34.48	
651-2315133	B	VIP-3/SC/D25SUB/M	25	3	Male	24-12	58 x 69 x 61	54.02	51.28	48.79	
651-2315146	B	VIP-3/SC/D37SUB/M	37	3	Male	24-12	73 x 69 x 61	62.06	58.90	56.05	
651-2315159	B	VIP-3/SC/D50SUB/M	50	3	Male	24-12	98 x 69 x 61	97.95	92.97	88.47	
651-2315162	B	VIP-2/SC/D 9SUB/F	9	2	Female	24-12	35 x 65 x 46	34.91	33.14	31.54	
651-2315175	B	VIP-2/SC/D15SUB/F	15	2	Female	24-12	45 x 65 x 46	36.71	35.56	34.48	
651-2315188	B	VIP-3/SC/D25SUB/F	25	3	Female	24-12	58 x 69 x 61	54.02	51.28	48.79	
651-2315191	B	VIP-3/SC/D37SUB/F	37	3	Female	24-12	73 x 69 x 61	62.06	58.90	56.05	
651-2315201	B	VIP-3/SC/D50SUB/F	50	3	Female	24-12	98 x 69 x 61	97.95	92.97	88.47	

## VARIOFACE MODULES FOR DSUB CONNECTORS W/ LED INDICATORS

- Same features as standard DSUB Interface modules but with LED indication when signal is present.

For quantities of 25 and up, call for quote.

MOUSER STOCK NO.		Fig.	Phoenix Type	No. of Pos.	No. of Levels	Gender	AWG	Dimensions W x L x H (mm)	Price Each		
Mfr.	Mfr. Part No.								1	5	10
651-2322142	B	VIP-2/SC/D 9SUB/M/LED	9	2	Male	24-12	35 x 65 x 50	58.75	54.23	50.36	
651-2322155	B	VIP-2/SC/D15SUB/M/LED	15	2	Male	24-12	40 x 65 x 50	67.05	61.89	57.47	
651-2322168	B	VIP-3/SC/D25SUB/M/LED	25	3	Male	24-12	45 x 65 x 50	86.09	79.47	73.79	
651-2322171	B	VIP-3/SC/D37SUB/M/LED	37	3	Male	24-12	55 x 65 x 50	110.65	102.14	94.85	
651-2322184	B	VIP-3/SC/D50SUB/M/LED	50	3	Male	24-12	58 x 69 x 61	140.71	129.88	120.61	
651-2322197	B	VIP-2/SC/D 9SUB/F/LED	9	2	Female	24-12	68 x 69 x 61	58.75	54.23	50.36	
651-2322207	B	VIP-2/SC/D15SUB/F/LED	15	2	Female	24-12	78 x 69 x 61	67.05	61.89	57.47	
651-2322210	B	VIP-3/SC/D25SUB/F/LED	25	3	Female	24-12	93 x 69 x 61	86.09	79.47	73.79	
651-2322223	B	VIP-3/SC/D37SUB/F/LED	37	3	Female	24-12	108 x 69 x 61	110.65	102.14	94.85	
651-2322236	B	VIP-3/SC/D50SUB/F/LED	50	3	Female	24-12	118 x 69 x 61	140.71	129.88	120.61	

## VARIOFACE MODULES FOR HIGH DENSITY DSUB CONNECTORS W/ LED INDICATORS

- Signals connect 1:1
- Screw Connection for discrete wiring

- Allows easy transition from structured cabling to discrete wire
- ZB Channel for flexible module marking with CLIPLINE accessories

For quantities of 25 and up, call for quote.

MOUSER STOCK NO.		Fig.	Phoenix Type	No. of Pos.	No. of Levels	Gender	AWG	Dimensions W x L x H (mm)	Price Each		
Mfr.	Mfr. Part No.								1	5	10
651-2322326	C	VIP-2/SC/HD15SUB/M	15	3	Male	24-12	44.9 x 65.5 x 45.1	58.27	53.79	49.95	
651-2322375	C	VIP-3/SC/HD26SUB/M	26	3	Male	24-12	52.3 x 69 x 62	69.12	63.80	59.24	
651-2322388	C	VIP-3/SC/HD44SUB/M	44	3	Male	24-12	82.9 x 69 x 62	82.65	76.29	70.84	
651-2322391	C	VIP-3/SC/HD62SUB/M	62	3	Male	24-12	113.5 x 69 x 62	102.47	94.58	87.83	
651-2322401	C	VIP-2/SC/HD15SUB/F	15	3	Female	24-12	44.9 x 65.5 x 45.1	58.27	53.79	49.95	
651-2322414	C	VIP-3/SC/HD26SUB/F	26	3	Female	24-12	52.3 x 69 x 62	69.12	63.80	59.24	
651-2322427	C	VIP-3/SC/HD44SUB/F	44	3	Female	24-12	82.9 x 69 x 62	82.94	76.56	71.09	
651-2322430	C	VIP-3/SC/HD62SUB/F	62	3	Female	24-12	113.5 x 69 x 62	102.47	94.58	87.83	

## VARIOFACE MODULES FOR PLC SYSTEMS CABLING

- 2 Modules, 651-2315230 & 651-2315243 are designed in acc. with Siemens SIMATIC® S7-300, including SIMATIC®-specific labeling
- Uses Flat-ribbon cable plug connector in acc. with IEC 60603-13

For quantities of 25 and up, call for quote.

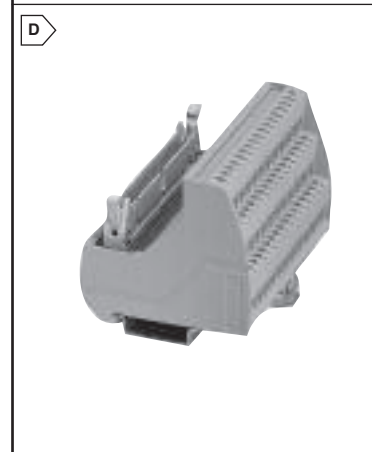
MOUSER STOCK NO.		Fig.	Phoenix Type	No. of Pos.	No. of Levels	Gender	AWG	Dimensions W x L x H (mm)	Price Each		
Mfr.	Mfr. Part No.								1	5	10
651-2315214	D	VIP-2/SC/FLK 14/PLC	14	2	Male	24-12	40 x 65 x 50	33.84	32.12	30.56	
651-2315227	D	VIP-2/SC/FLK 50/PLC	50	2	Male	24-12	106 x 65 x 50	68.27	64.80	61.67	
651-2315230	D	VIP-2/SC/FLK 14(1-20)/S7	14	2	Male	24-12	81 x 65 x 50	57.89	54.94	52.28	
651-2315243	D	VIP-2/SC/FLK 50(1-40)/S7	50	2	Male	24-12	106 x 65 x 50	78.37	74.39	70.79	



Non-LED Module Shown



Non-LED Module Shown



Terminal Blocks  
Phoenix Contact