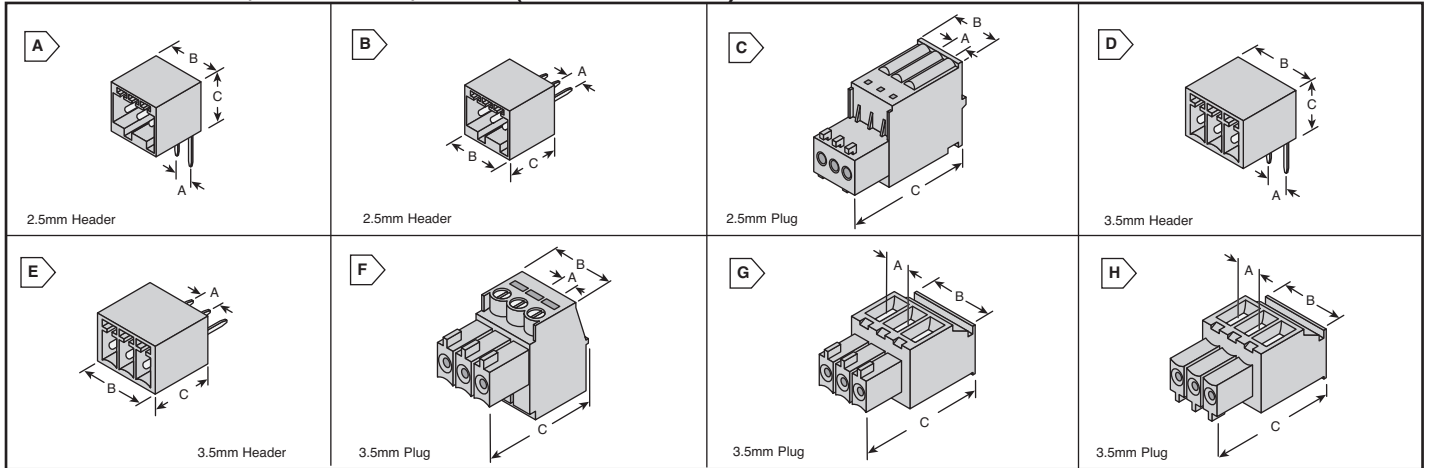


PHOENIX CONTACT Pluggable Terminal Blocks



RoHS Compliant This product is RoHS compliant. (2.5mm & 3.5mm)



2.5MM HEADERS

• RoHS Compliant per Phoenix documentation



Single Level, Through-Hole Solder Mounting

For quantities of 100 and up, call for quote.

MOUSER STOCK NO.		Fig.	Phoenix Type	No. of Pos.	Dimensions: mm			Price Each		
Mfr.	Mfr. Part No.				A	B	C	1	10	50
2.5mm PCB Terminal Block Headers - 90° Socket-to Pin Orientation UL: 125V @ 4A, Green Color										
651-1881448	A	MC 0.5/2-G-2.5	2	2.5	6.9	8.1	.68	.63	.54	
651-1881451	A	MC 0.5/3-G-2.5	3	2.5	9.4	8.1	.98	.90	.77	
651-1881464	A	MC 0.5/4-G-2.5	4	2.5	11.9	8.1	1.29	1.19	1.02	
651-1881477	A	MC 0.5/5-G-2.5	5	2.5	14.4	8.1	1.59	1.47	1.25	
651-1881480	A	MC 0.5/6-G-2.5	6	2.5	16.9	8.1	1.97	1.81	1.53	
651-1881493	A	MC 0.5/7-G-2.5	7	2.5	19.4	8.1	2.17	2.00	1.71	
651-1881503	A	MC 0.5/8-G-2.5	8	2.5	21.9	8.1	2.48	2.28	1.95	
651-1881516	A	MC 0.5/9-G-2.5	9	2.5	24.4	8.1	2.78	2.57	2.19	
651-1881529	A	MC 0.5/10-G-2.5	10	2.5	26.9	8.1	3.08	2.84	2.42	
651-1881545	A	MC 0.5/12-G-2.5	12	2.5	31.9	8.1	3.68	3.40	2.89	
2.5mm PCB Terminal Block Headers - 90° Socket-to Pin Orientation UL: 125V @ 4A, Green Color										
651-1881561	B	MCV 0.5/3-G-2.5	3	2.5	9.4	10.1	.98	.90	.77	
651-1881574	B	MCV 0.5/4-G-2.5	4	2.5	11.9	10.1	1.29	1.19	1.02	
651-1881587	B	MCV 0.5/5-G-2.5	5	2.5	14.4	10.1	1.59	1.47	1.25	
651-1881590	B	MCV 0.5/6-G-2.5	6	2.5	16.9	10.1	1.88	1.74	1.48	
651-1881600	B	MCV 0.5/7-G-2.5	7	2.5	19.4	10.1	2.17	2.00	1.71	
651-1881613	B	MCV 0.5/8-G-2.5	8	2.5	21.9	10.1	2.48	2.28	1.95	
651-1881626	B	MCV 0.5/9-G-2.5	9	2.5	24.4	10.1	2.78	2.57	2.19	
651-1881639	B	MCV 0.5/10-G-2.5	10	2.5	26.9	10.1	2.93	2.70	2.31	
651-1881655	B	MCV 0.5/12-G-2.5	12	2.5	31.9	10.1	3.68	3.40	2.89	

2.5MM PLUGS

• RoHS Compliant per Phoenix documentation



Spring Force Wire Termination

For quantities of 100 and up, call for quote.

MOUSER STOCK NO.		Fig.	Phoenix Type	No. of Pos.	Dimensions: mm			Price Each		
Mfr.	Mfr. Part No.				A	B	C	1	10	50
2.5mm PCB Terminal Block Plugs - 180° Wire-to-Plug Orientation UL: 125V @ 4A, 28-20AWG, Green Color										
651-1881325	C	FK-MC 0.5/2-ST-2.5	2	2.5	5.6	19.2	2.17	2.00	1.71	
651-1881338	C	FK-MC 0.5/3-ST-2.5	3	2.5	8.1	19.2	3.27	3.02	2.57	
651-1881341	C	FK-MC 0.5/4-ST-2.5	4	2.5	10.6	19.2	4.35	4.01	3.42	
651-1881354	C	FK-MC 0.5/5-ST-2.5	5	2.5	13.1	19.2	5.44	5.02	4.28	
651-1881367	C	FK-MC 0.5/6-ST-2.5	6	2.5	15.6	19.2	6.52	6.02	5.13	
651-1881370	C	FK-MC 0.5/7-ST-2.5	7	2.5	18.1	19.2	7.61	7.02	5.99	
651-1881383	C	FK-MC 0.5/8-ST-2.5	8	2.5	20.6	19.2	8.69	8.02	6.83	
651-1881396	C	FK-MC 0.5/9-ST-2.5	9	2.5	23.1	19.2	9.79	9.03	7.70	
651-1881406	C	FK-MC 0.5/10-ST-2.5	10	2.5	25.6	19.2	10.88	10.04	8.56	
651-1881422	C	FK-MC 0.5/12-ST-2.5	12	2.5	30.6	19.2	13.05	12.04	10.27	

3.5MM HEADERS

• RoHS Compliant per Phoenix documentation



Single Level, Through-Hole Solder Mounting

For quantities of 100 and up, call for quote.

MOUSER STOCK NO.		Fig.	Phoenix Type	No. of Pos.	Dimensions: mm			Price Each		
Mfr.	Mfr. Part No.				A	B	C	1	10	50
3.5mm PCB Terminal Block Headers - 90° Socket-to Pin Orientation UL: 300V @ 8A, Green Color										
651-1844210	D	MC 1.5/2-G-3.5	2	3.5	8.4	7.25	.67	.62	.53	
651-1844223	D	MC 1.5/3-G-3.5	3	3.5	11.9	7.25	1.01	.93	.80	
651-1844236	D	MC 1.5/4-G-3.5	4	3.5	15.4	7.25	1.34	1.24	1.05	
651-1844249	D	MC 1.5/5-G-3.5	5	3.5	18.9	7.25	1.69	1.56	1.33	
651-1844252	D	MC 1.5/6-G-3.5	6	3.5	22.4	7.25	2.04	1.89	1.61	
651-1844265	D	MC 1.5/7-G-3.5	7	3.5	25.9	7.25	2.36	2.18	1.86	

3.5MM HEADERS (CONT.)

• RoHS Compliant per Phoenix documentation



Single Level, Through-Hole Solder Mounting

For quantities of 100 and up, call for quote.

MOUSER STOCK NO.		Fig.	Phoenix Type	No. of Pos.	Dimensions: mm			Price Each		
Mfr.	Mfr. Part No.				A	B	C	1	10	50
3.5mm PCB Terminal Block Headers (Cont.) - 90° Socket-to Pin Orientation UL: 300V @ 8A, Green Color										
651-1844278	D	MC 1.5/8-G-3.5	8	3.5	29.4	7.25	2.68	2.47	2.11	
651-1844281	D	MC 1.5/9-G-3.5	9	3.5	32.9	7.25	3.04	2.81	2.39	
651-1844294	D	MC 1.5/10-G-3.5	10	3.5	36.4	7.25	3.39	3.13	2.67	
651-1844317	D	MC 1.5/12-G-3.5	12	3.5	43.4	7.25	4.08	3.76	3.21	
3.5mm PCB Terminal Block Headers - 180° Socket-to Pin Orientation UL: 300V @ 8A, Green Color										
651-1843606	E	MCV 1.5/2-G-3.5	2	3.5	8.4	9.2	.67	.62	.53	
651-1843619	E	MCV 1.5/3-G-3.5	3	3.5	11.9	9.2	1.02	.94	.80	
651-1843622	E	MCV 1.5/4-G-3.5	4	3.5	15.4	9.2	1.34	1.24	1.05	
651-1843635	E	MCV 1.5/5-G-3.5	5	3.5	18.9	9.2	1.70	1.57	1.34	
651-1843648	E	MCV 1.5/6-G-3.5	6	3.5	22.4	9.2	2.04	1.89	1.61	
651-1843651	E	MCV 1.5/7-G-3.5	7	3.5	25.9	9.2	2.36	2.18	1.86	
651-1843664	E	MCV 1.5/8-G-3.5	8	3.5	29.4	9.2	2.70	2.49	2.13	
651-1843677	E	MCV 1.5/9-G-3.5	9	3.5	32.9	9.2	3.07	2.83	2.41	
651-1843680	E	MCV 1.5/10-G-3.5	10	3.5	36.4	9.2	3.39	3.13	2.67	
651-1843703	E	MCV 1.5/12-G-3.5	12	3.5	43.4	9.2	4.08	3.76	3.21	

3.5MM PLUGS

• RoHS Compliant per Phoenix documentation



Screw Clamp Wire Termination

For quantities of 100 and up, call for quote.

MOUSER STOCK NO.		Fig.	Phoenix Type	No. of Pos.	Dimensions: mm			Price Each		
Mfr.	Mfr. Part No.				A	B	C	1	10	50
3.5mm PCB Terminal Block Plugs - 180° Wire-to-Plug Orientation UL: 300V @ 8A, 30-14AWG, Green Color										
651-1840366	F	MC 1.5/2-ST-3.5	2	3.5	7	15.5	1.92	1.77	1.51	
651-1840379	F	MC 1.5/3-ST-3.5	3	3.5	10.5	15.5	2.86	2.64	2.25	
651-1840382	F	MC 1.5/4-ST-3.5	4	3.5	14	15.5	3.79	3.50	2.98	
651-1840395	F	MC 1.5/5-ST-3.5	5	3.5	17.5	15.5	4.81	4.44	3.79	
651-1840405	F	MC 1.5/6-ST-3.5	6	3.5	21	15.5	5.78	5.33	4.55	
651-1840418	F	MC 1.5/7-ST-3.5	7	3.5	24.5	15.5	6.77	6.25	5.32	
651-1840421	F	MC 1.5/8-ST-3.5	8	3.5	28	15.5	7.68	7.09	6.04	
651-1840434	F	MC 1.5/9-ST-3.5	9	3.5	31.5	15.5	8.66	8.00	6.82	
651-1840447	F	MC 1.5/10-ST-3.5	10	3.5	35	15.5	9.65	8.91	7.59	
651-1840450	F	MC 1.5/11-ST-3.5	11	3.5	38.5	15.5	10.60	9.79	8.34	
651-1840463	F	MC 1.5/12-ST-3.5	12	3.5	42	15.5	11.52	10.64	9.07	
3.5mm PCB Terminal Block Plugs - 90° Wire-to-Plug Orientation UL: 300V @ 8A, 30-14AWG, Green Color										
651-1863152	G	MCVR 1.5/2-ST-3.5	2	3.5	7.8	19.1	1.90	1.75	1.49	
651-1863165	G	MCVR 1.5/3-ST-3.5	3	3.5	11.3	19.1	2.83	2.61	2.22	
651-1863178	G	MCVR 1.5/4-ST-3.5	4	3.5	14.8	19.1	3.76	3.47	2.96	
651-1863181	G	MCVR 1.5/5-ST-3.5	5	3.5	18.3	19.1	4.72	4.36	3.72	
651-1863194	G	MCVR 1.5/6-ST-3.5	6	3.5	21.8	19.1	5.65	5.22	4.45	
651-1863217	G	MCVR 1.5/8-ST-3.5	8	3.5	28.8	19.1	7.54	6.96	5.93	
651-1863233	G	MCVR 1.5/10-ST-3.5	10	3.5	35.8	19.1	9.42	8.70	7.42	
3.5mm PCB Terminal Block Plugs - 270° Wire-to-Plug Orientation UL: 300V @ 8A, 30-14AWG, Green Color										
651-1862852	H	MCVW 1.5/2-ST-3.5	2	3.5	7.8	19.1	1.90	1.75	1.49	
651-1862865	H	MCVW 1.5/3-ST-3.5	3	3.5	11.3	19.1	2.83	2.61	2.22	
651-1862878	H	MCVW 1.5/4-ST-3.5	4	3.5	14.8	19.1	3.76	3.47	2.96	
651-1862881	H	MCVW 1.5/5-ST-3.5	5	3.5	18.3	19.1	4.72	4.36	3.72	
651-1862894	H	MCVW 1.5/6-ST-3.5	6	3.5	21.8	19.1	5.65	5.22	4.45	
651-1862917	H	MCVW 1.5/8-ST-3.5	8	3.5	28.8	19.1	7.54	6.96	5.93	
651-1862920	H	MCVW 1.5/9-ST-3.5	9	3.5	32.3	19.1	8.50	7.85	6.69	
651-1862933	H	MCVW 1.5/10-ST-3.5	10	3.5	35.8	19.1	9.42	8.70	7.42	

