

# PHOENIX CONTACT Fixed & Pluggable Terminal Blocks



RoHS Compliant This product is RoHS compliant.

## 2.5MM LOW PROFILE SMT TERMINAL BLOCKS

- Features:**
- True Surface-Mount Technology (SMT)
  - Rugged SMD anchors enable high mating cycles
  - Flat Design; Only 5mm tall
  - Centerline: 2.5mm
  - Spring Cage Wire termination - No special tooling required
  - Full Tape and reel versions available upon request

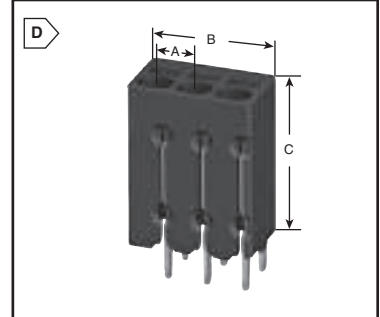
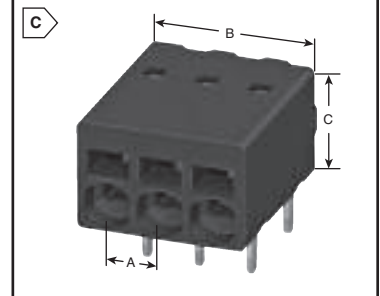
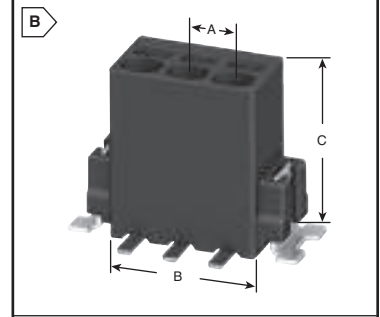
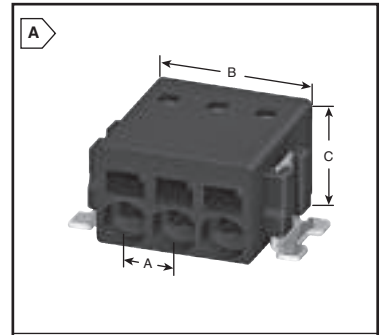
- Applications:**
- LED Lighting
  - Sensors/Actuators
  - Power supplies
  - Space and size critical applications



RoHS Compliant

For quantities of 100 and up or Tape and Reel, call for quote.

MOUSER STOCK NO.		Fig.	Phoenix Type	Position	Current Rating	Voltage Rating	AWG	Dimensions: mm			Price Each		
Mfr.	Mfr. Part No.							A	B	C	1	10	50
<b>Horizontal SMT Mounting</b>													
651-1771020	A	PTSM 0,5/ 2-2,5-H SMD R44	2	6A	160V	24-20	2.5	5.5	5	.61	.56	.49	
651-1771033	A	PTSM 0,5/ 3-2,5-H SMD R44	3	6A	160V	24-20	2.5	8	5	.74	.68	.59	
651-1771046	A	PTSM 0,5/ 4-2,5-H SMD R44	4	6A	160V	24-20	2.5	10.5	5	.88	.81	.70	
651-1771059	A	PTSM 0,5/ 5-2,5-H SMD R44	5	6A	160V	24-20	2.5	13	5	.98	.90	.78	
651-1771062	A	PTSM 0,5/ 6-2,5-H SMD R44	6	6A	160V	24-20	2.5	15.5	5	1.12	1.03	.90	
651-1771075	A	PTSM 0,5/ 7-2,5-H SMD R44	7	6A	160V	24-20	2.5	18	5	1.18	1.09	.94	
651-1771088	A	PTSM 0,5/ 8-2,5-H SMD R44	8	6A	160V	24-20	2.5	20.5	5	1.32	1.22	1.05	
<b>Vertical SMT Mounting</b>													
651-1771091	B	PTSM 0,5/ 2-2,5-V SMD R44	2	6A	160V	24-20	2.5	5.5	6	.68	.63	.54	
651-1771101	B	PTSM 0,5/ 3-2,5-V SMD R44	3	6A	160V	24-20	2.5	8	6	.78	.72	.62	
651-1771114	B	PTSM 0,5/ 4-2,5-V SMD R44	4	6A	160V	24-20	2.5	10.5	6	.91	.84	.73	
651-1771127	B	PTSM 0,5/ 5-2,5-V SMD R44	5	6A	160V	24-20	2.5	13	6	1.01	.93	.80	
651-1771130	B	PTSM 0,5/ 6-2,5-V SMD R44	6	6A	160V	24-20	2.5	15.5	6	1.15	1.06	.92	
651-1771143	B	PTSM 0,5/ 7-2,5-V SMD R44	7	6A	160V	24-20	2.5	18	6	1.28	1.18	1.02	
651-1771156	B	PTSM 0,5/ 8-2,5-V SMD R44	8	6A	160V	24-20	2.5	20.5	6	1.35	1.24	1.08	



## 2.5MM LOW PROFILE TERMINAL BLOCKS FOR SOLDER REFLOW

- Features:**
- Designed to withstand the heat of the reflow process
  - Rugged anchors enable high mating cycles
  - Utilizes the "Pin-in-Paste" Mounting procedure
  - Flat Design; Only 5mm tall
  - Centerline: 2.5mm
  - Spring Cage Wire termination - No special tooling required
  - Full Tape and reel versions available upon request

- Applications:**
- LED Lighting
  - Sensors/Actuators
  - Power supplies
  - Space and size critical applications



RoHS Compliant

For quantities of 100 and up or Tape and Reel, call for quote.

MOUSER STOCK NO.		Fig.	Phoenix Type	Position	Current Rating	Voltage Rating	AWG	Dimensions: mm			Price Each		
Mfr.	Mfr. Part No.							A	B	C	1	10	50
<b>Horizontal Pin-in-Paste</b>													
651-1770885	C	PTSM 0,5/ 2-2,5-H THR R24	2	6A	160V	24-20	2.5	5.5	5	.47	.43	.37	
651-1770898	C	PTSM 0,5/ 3-2,5-H THR R32	3	6A	160V	24-20	2.5	8	5	.68	.63	.54	
651-1770908	C	PTSM 0,5/ 4-2,5-H THR R32	4	6A	160V	24-20	2.5	10.5	5	.78	.72	.62	
651-1770911	C	PTSM 0,5/ 5-2,5-H THR R32	5	6A	160V	24-20	2.5	13	5	.91	.84	.73	
651-1770924	C	PTSM 0,5/ 6-2,5-H THR R32	6	6A	160V	24-20	2.5	15.5	5	1.12	1.03	.90	
651-1770937	C	PTSM 0,5/ 7-2,5-H THR R32	7	6A	160V	24-20	2.5	18	5	1.28	1.18	1.02	
651-1770940	C	PTSM 0,5/ 8-2,5-H THR R32	8	6A	160V	24-20	2.5	20.5	5	1.49	1.37	1.19	
<b>Vertical Pin-in-Paste</b>													
651-1770953	D	PTSM 0,5/ 2-2,5-V THR R44	2	6A	160V	24-20	2.5	5.5	6	.54	.50	.43	
651-1770966	D	PTSM 0,5/ 3-2,5-V THR R44	3	6A	160V	24-20	2.5	8	6	.68	.63	.54	
651-1770979	D	PTSM 0,5/ 4-2,5-V THR R44	4	6A	160V	24-20	2.5	10.5	6	.85	.78	.68	
651-1770982	D	PTSM 0,5/ 5-2,5-V THR R44	5	6A	160V	24-20	2.5	13	6	1.01	.93	.80	
651-1770995	D	PTSM 0,5/ 6-2,5-V THR R44	6	6A	160V	24-20	2.5	15.5	6	1.18	1.09	.94	
651-1771004	D	PTSM 0,5/ 7-2,5-V THR R44	7	6A	160V	24-20	2.5	18	6	1.35	1.24	1.08	
651-1771017	D	PTSM 0,5/ 8-2,5-V THR R44	8	6A	160V	24-20	2.5	20.5	6	1.56	1.44	1.25	

Terminal Blocks

Phoenix Contact

## 3.81MM AND 5.08MM INVERTED PLUGS

- Mates with standard plugs for cable to cable connections
- Plugs have male pin contacts
- RoHS Compliant per Phoenix documentation



RoHS Compliant For quantities of 100 and up, call for quote.

<b>3.81mm Terminal Block Inverted Plugs - 180° Socket-to-Pin Orientation - Green Color - 30-14 AWG</b>													
Mfr.	Mfr. Part No.	Fig.	Phoenix Type	Position	Current Rating	Voltage Rating	AWG	A	B	C	1	10	50
651-1857883	A	IMC 1,5/ 2-ST-3,81		2	8A	300	3.81	8.41	11.10	2.78	2.57	2.19	
651-1857896	A	IMC 1,5/ 3-ST-3,81		3	8A	300	3.81	12.22	11.10	4.17	3.85	3.28	
651-1857906	A	IMC 1,5/ 4-ST-3,81		4	8A	300	3.81	16.03	11.10	5.60	5.17	4.40	
651-1857919	A	IMC 1,5/ 5-ST-3,81		5	8A	300	3.81	19.84	11.10	6.99	6.46	5.50	
651-1857922	A	IMC 1,5/ 6-ST-3,81		6	8A	300	3.81	23.65	11.10	8.36	7.71	6.58	
651-1857948	A	IMC 1,5/ 8-ST-3,81		8	8A	300	3.81	27.46	11.10	11.18	10.32	8.80	
651-1857964	A	IMC 1,5/ 10-ST-3,81		10	8A	300	3.81	35.08	11.10	13.94	12.87	10.14	
651-1857980	A	IMC 1,5/ 12-ST-3,81		12	8A	300	3.81	42.70	11.10	16.71	15.43	13.15	
<b>5.08mm Terminal Block Inverted Plugs - 180° Socket-to-Pin Orientation - Green Color - 30-12 AWG</b>													
Mfr.	Mfr. Part No.	Fig.	Phoenix Type	Position	Current Rating	Voltage Rating	AWG	A	B	C	1	10	50
651-1786174	B	IC 2,5/ 2-ST-5,08		2	10A	300	5.08	11.66	15.00	2.44	2.25	1.92	
651-1786187	B	IC 2,5/ 3-ST-5,08		3	10A	300	5.08	16.74	15.00	3.69	3.41	2.90	
651-1786190	B	IC 2,5/ 4-ST-5,08		4	10A	300	5.08	21.82	15.00	4.92	4.54	3.87	
651-1786200	B	IC 2,5/ 5-ST-5,08		5	10A	300	5.08	26.90	15.00	6.12	5.65	4.82	
651-1786213	B	IC 2,5/ 6-ST-5,08		6	10A	300	5.08	31.98	15.00	7.36	6.79	5.79	
651-1786239	B	IC 2,5/ 8-ST-5,08		8	10A	300	5.08	37.06	15.00	9.78	9.02	7.69	
651-1786255	B	IC 2,5/ 10-ST-5,08		10	10A	300	5.08	47.22	15.00	12.21	11.27	9.60	
651-1786271	B	IC 2,5/ 12-ST-5,08		12	10A	300	5.08	57.38	15.00	14.67	13.54	11.54	

