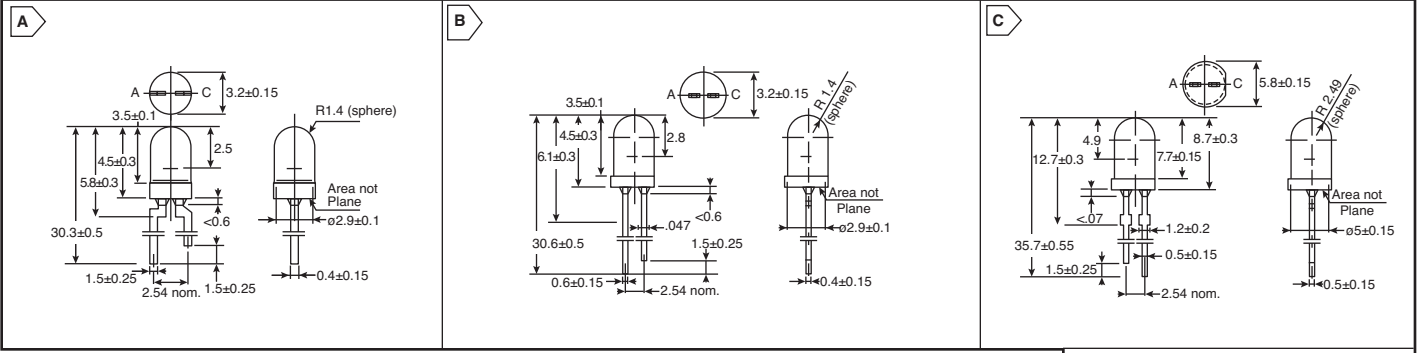


VISHAY LED Lamps

Products may be RoHS compliant.
Check mouser.com for RoHS status.



DIMENSIONS: mm



VISHAY LED LAMPS

For quantities of 1000 and up, call for quote.

MOUSER STOCK NO.	Vishay Part No.	Fig.	Color		Forward Voltage			Luminous Intensity		Peak Wave-length (nm)	Viewing Angle	Price Each		
			LED	Lens	Typ.	Max.	Min.	Typ.	Max.			1	100	500
Standard T-1 (3mm)														
78-TLHB4200	TLHB4200	A	Blue	Tinted Non-Diff	3.9	4.5	25	50	----	428	22°	.61	.49	.41
78-TLHR4200	TLHR4200	A	Hi-Eff. Red	Tinted Non-Diff	2.0	3.0	4.0	8.0	----	635	22°	.10	.08	.07
78-TLHO4200	TLHO4200	A	Soft Orange	Tinted Non-Diff	2.4	3.0	4.0	10	----	605	22°	.13	.10	.08
78-TLHG4200	TLHG4200	A	Green	Tinted Non-Diff	2.4	3.0	6.3	10	----	565	22°	.12	.09	.08
78-TLHP4200	TLHP4200	A	Pure Green	Tinted Non-Diff	2.4	3.0	2.5	7.0	----	555	22°	.13	.10	.09
78-TLHY4200	TLHY4200	A	Yellow	Tinted Non-Diff	2.4	3.0	4.0	10	----	585	22°	.12	.09	.08
78-TLHB4400	TLHB4400	A	Blue	Tinted Blue Diff	3.9	4.5	6.3	15	----	428	30°	.62	.49	.41
78-TLHR4400	TLHR4400	A	Hi-Eff. Red	Tinted Red Diff	2.0	3.0	1.6	3.0	----	635	30°	.11	.09	.076
78-TLUR4400	TLUR4400	A	Univ. Red	Tinted Red Diff	2.0	3.0	4.0	----	32	640	30°	.20	.16	.13
78-TLHO4400	TLHO4400	A	Soft Orange	Tinted Orange Diff	2.4	3.0	1.6	4.0	----	605	30°	.15	.12	.10
78-TLHG4400	TLHG4400	A	Green	Tinted Green Diff	2.4	3.0	2.5	4.0	----	565	30°	.14	.11	.095
78-TLHY4400	TLHY4400	A	Yellow	Tinted Yellow Diff	2.4	3.0	1.6	3.0	----	585	30°	.14	.11	.097
78-TLHR4401	TLHR4401	A	Hi-Eff. Red	Tinted Red Diff	2.0	3.0	2.5	5.0	----	635	30°	.11	.09	.076
78-TLUR4401	TLUR4401	A	Univ. Red	Red Diffused	2.0	3.0	4.0	----	32	640	30°	.10	.08	.06
78-TLHG4401	TLHG4401	A	Green	Green Diffused	2.4	3.0	4.0	6.0	----	565	30°	.12	.10	.084
78-TLHY4401	TLHY4401	A	Yellow	Tinted Yellow Diff	2.4	3.0	2.5	5.0	----	585	30°	.24	.16	.10
78-TLHR4600	TLHR4600	A	Hi-Eff. Red	Tinted Red Diff	2.0	3.0	1.0	2.0	----	635	60°	.11	.08	.074
78-TLHG4600	TLHG4600	A	Green	Tinted Green Diff	2.4	3.0	1.0	2.0	----	565	60°	.12	.10	.084
78-TLHY4600	TLHY4600	A	Yellow	Tinted Yellow Diff	2.4	3.0	0.63	2.0	----	585	60°	.12	.10	.084
78-TLHR4900	TLHR4900	B	Hi-Eff. Red	Clear	2.0	3.0	6.3	13	----	635	16°	.11	.08	.07
78-TLHG4900	TLHG4900	B	Green	Clear	2.4	3.0	16	37	----	565	16°	.12	.10	.08
78-TLHP4900	TLHP4900	B	Pure Green	Clear	2.4	3.0	4.0	13	----	555	16°	.14	.11	.09
78-TLHY4900	TLHY4900	B	Yellow	Clear	2.4	3.0	10	26	----	585	16°	.12	.10	.08
Low Current T-1 (3mm)														
78-TLLR4400	TLLR4400	A	Hi-Eff. Red	Red Diffused	1.9	2.4	0.63	1.2	----	635	25°	.15	.12	.09
78-TLLG4400	TLLG4400	A	Green	Green Diffused	1.9	2.4	0.63	1.2	----	565	25°	.13	.10	.08
78-TLLR4401	TLLR4401	A	Hi-Eff. Red	Red Diffused	1.9	2.4	1.0	2.0	----	635	25°	.12	.11	.10
78-TLLG4401	TLLG4401	A	Green	Green Diffused	1.9	2.4	1.0	2.0	----	565	25°	.13	.11	.08
78-TLLY4401	TLLY4401	A	Yellow	Yellow Diffused	2.4	2.9	1.0	2.0	----	585	25°	.15	.12	.10
High Intensity T-1 (3mm)														
78-TLHK4200	TLHK4200	A	Red	Tinted Non-Diff	1.9	2.6	25	100	----	643	22°	.16	.13	.11
78-TLDR4400	TLDR4400	A	Red	Red Diffused	1.8	2.2	25	45	----	650	40°	.23	.18	.15
78-TLDR4900	TLDR4900	B	Red	Clear	1.8	2.2	63	200	----	650	16°	.26	.21	.17
78-TLHF4900	TLHF4900	B	Soft Orange	Clear	1.9	2.6	66	300	----	610	16°	.20	.16	.14
Standard T-1 3/4 (5mm)														
78-TLHB5100	TLHB5100	C	Blue	Water Clear	3.9	4.5	66	210	----	428	9°	.91	.73	.60
78-TLHB5102	TLHB5102	C	Blue	Water Clear	3.9	4.5	130	----	360	428	9°	.65	.53	.44
78-TLHR5200	TLHR5200	D	Hi-Eff. Red	Tinted Non-Diff	2.0	3.0	10	20	----	635	14°	.09	.07	.063
78-TLHG5200	TLHG5200	D	Green	Tinted Non-Diff	2.4	3.0	16	30	----	565	14°	.23	.15	.089
78-TLHY5200	TLHY5200	D	Yellow	Tinted Non-Diff	2.4	3.0	10	30	----	585	14°	.12	.10	.084
78-TLHB5400	TLHB5400	E	Blue	Blue Diffused	3.9	4.5	6.3	15	----	428	30°	.64	.51	.42
78-TLDR5400	TLDR5400	E	Red	Red Diffused	1.8	2.2	35	70	----	650	30°	.23	.18	.15
78-TLHR5400	TLHR5400	E	Hi-Eff. Red	Red Diffused	2.0	3.0	1.6	3.5	----	635	30°	.08	.06	.05
78-TLUR5400	TLUR5400	E	Univ. Red	Red Diffused	2.0	3.0	4.0	15	----	640	30°	.09	.07	.06
78-TLHG5400	TLHG5400	E	Green	Green Diffused	2.4	3.0	1.6	4.0	----	565	30°	.10	.08	.06
78-TLHY5400	TLHY5400	E	Yellow	Yellow Diffused	2.4	3.0	1.6	3.5	----	585	30°	.13	.10	.08
78-TLHG5800	TLHG5800	F	Green	Non-Diffused	2.4	3.0	400	700	----	565	4°	.10	.08	.07
78-TLHP5800	TLHP5800	F	Pure Green	Non-Diffused	2.4	3.0	25	85	----	555	4°	.14	.11	.09
78-TLHY5800	TLHY5800	F	Yellow	Non-Diffused	2.4	3.0	100	250	----	585	4°	.12	.10	.08
Dual Color T-1 3/4 (5mm)														
78-TLUV5300	TLUV5300	G	Org. Red/Grn	Non-Diffused	2.0/2.4	3.0	1.0	2.5	----	633/565	30°	.34	.27	.23
Low Current T-1 3/4 (5mm)														
78-TLLR5401	TLLR5401	E	Hi-Eff. Red	Red Diffused	1.9	2.4	1.0	2.0	----	635	30°	.12	.11	.10
78-TLLG5401	TLLG5401	E	Green	Green Diffused	1.9	2.4	1.0	2.0	----	565	30°	.13	.11	.08
78-TLLY5401	TLLY5401	E	Yellow	Yellow Diffused	2.4	2.9	1.0	2.0	----	585	30°	.15	.12	.10
High Intensity T-1 3/4 (5mm)														
78-TLHK5100	TLHK5100	H	Red	Clear	1.9	2.6	320	----	643	9°	.18	.15	.114	
78-TLHG5100	TLHG5100	H	Green	Clear	2.4	3.0	240	----	565	9°	.11	.09	.078	
78-TLHE5100	TLHE5100	H	Yellow	Clear	2.0	2.6	750	----	590	9°	.20	.16	.132	
78-TLHK5800	TLHK5800	F	Red	Non-Diffused	1.9	2.6	1000	2500	----	643	4°	.16	.13	.112
78-TLDR5800	TLDR5800	F	Red	Clear	1.8	2.2	1000	2500	----	650	4°	.22	.18	.15
78-TLHE5800	TLHE5800	F	Yellow	Non-Diffused	2.0	2.6	1000	3500	----	590	4°	.18	.14	.123
Ultrabright T-1 3/4 (5mm)														
78-TLRC5800	TLRC5800	H	Red	Clear	2.1	2.7	7500	20000	----	622	4°	.27	.23	.19
78-TLCY5800	TLCY5800	H	Yellow	Clear	2.1	2.7	5750	14000	----	593	4°	.25	.21	.18

