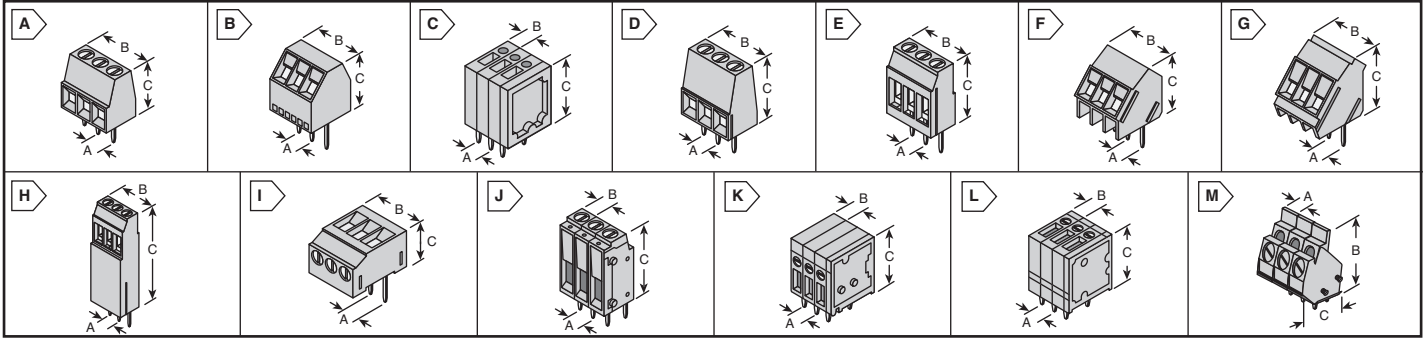


# PHOENIX CONTACT Terminal Blocks



RoHS Compliant This product is RoHS compliant.



## ONE PIECE DESIGN W/ SCREW CLAMP TERMINATION

• RoHS Compliant per Phoenix documentation

Single Level, Through-Hole Solder Mounting For quantities of 100 and up, call for quote.

MOUSER STOCK NO.		Fig.	Phoenix Type	Pos.	Dimensions: mm			Price Each		
Mfr.	Mfr. Part No.				A	B	C	1	10	50
<b>2.54mm PCB Terminal Blocks - 90° Wire-to-Pin Orientation</b>										
UL: 125V @ 6A, 30-20 AWG, Green Color										
651-1725656	A	MPT 0.5/2-2.54	2	2.54	5.54	8.5	1.12	1.04	.88	
651-1725669	A	MPT 0.5/3-2.54	3	2.54	8.08	8.5	1.70	1.57	1.34	
651-1725672	A	MPT 0.5/4-2.54	4	2.54	10.62	8.5	2.27	2.10	1.79	
651-1725685	A	MPT 0.5/5-2.54	5	2.54	13.16	8.5	2.83	2.61	2.22	
651-1725698	A	MPT 0.5/6-2.54	6	2.54	15.70	8.5	3.39	3.13	2.67	
651-1725708	A	MPT 0.5/7-2.54	7	2.54	18.24	8.5	3.96	3.66	3.12	
651-1725711	A	MPT 0.5/8-2.54	8	2.54	20.78	8.5	4.52	4.17	3.56	
651-1725724	A	MPT 0.5/9-2.54	9	2.54	23.32	8.5	5.10	4.71	4.01	
651-1725737	A	MPT 0.5/10-2.54	10	2.54	25.86	8.5	5.65	5.22	4.45	
651-1725740	A	MPT 0.5/11-2.54	11	2.54	28.40	8.5	6.23	5.75	4.91	
651-1725753	A	MPT 0.5/12-2.54	12	2.54	30.94	8.5	6.79	6.27	5.34	
<b>3.5mm PCB Terminal Blocks - 90° Wire-to-Pin Orientation</b>										
UL: 300V @ 10A, 30-16 AWG, Green Color										
651-1751248	A	MKDS 1/2-3.5	2	3.5	7.5	8.5	.91	.84	.71	
651-1751251	A	MKDS 1/3-3.5	3	3.5	11	8.5	1.37	1.27	1.08	
651-1751264	A	MKDS 1/4-3.5	4	3.5	14.5	8.5	1.82	1.68	1.43	
651-1751277	A	MKDS 1/5-3.5	5	3.5	18	8.5	2.28	2.11	1.80	
651-1751280	A	MKDS 1/6-3.5	6	3.5	21.5	8.5	2.73	2.52	2.14	
651-1751293	A	MKDS 1/7-3.5	7	3.5	25	8.5	3.20	2.96	2.52	
651-1751303	A	MKDS 1/8-3.5	8	3.5	28.5	8.5	3.64	3.36	2.87	
651-1751316	A	MKDS 1/9-3.5	9	3.5	32	8.5	4.10	3.78	3.23	
651-1751329	A	MKDS 1/10-3.5	10	3.5	35.5	8.5	4.55	4.20	3.58	
651-1751332	A	MKDS 1/11-3.5	11	3.5	39	8.5	5.02	4.63	3.95	
651-1751345	A	MKDS 1/12-3.5	12	3.5	42.5	8.5	5.46	5.04	4.30	
<b>3.5mm PCB Terminal Blocks - 55° Wire-to-Pin Orientation</b>										
UL: 300V @ 10A, 30-16 AWG, Green Color										
651-1751099	B	SMKDS 1/2-3.5	2	3.5	7.5	9.5	1.03	.95	.81	
651-1751109	B	SMKDS 1/3-3.5	3	3.5	11	9.5	1.57	1.45	1.23	
651-1751112	B	SMKDS 1/4-3.5	4	3.5	14.5	9.5	2.08	1.92	1.64	
651-1751154	B	SMKDS 1/8-3.5	8	3.5	28.5	9.5	4.16	3.84	3.27	
<b>3.81mm PCB Terminal Blocks - 90° Wire-to-Pin Orientation</b>										
UL: 300V @ 10A, 30-16 AWG, Green Color										
651-1727010	A	MKDS 1/2-3.81	2	3.81	7.61	8.5	.91	.84	.71	
651-1727023	A	MKDS 1/3-3.81	3	3.81	11.42	8.5	1.36	1.26	1.07	
651-1727036	A	MKDS 1/4-3.81	4	3.81	15.23	8.5	1.82	1.68	1.43	
651-1727049	A	MKDS 1/5-3.81	5	3.81	19.04	8.5	2.27	2.10	1.79	
651-1727052	A	MKDS 1/6-3.81	6	3.81	22.85	8.5	2.73	2.52	2.14	
651-1727065	A	MKDS 1/7-3.81	7	3.81	26.66	8.5	3.18	2.93	2.50	
651-1727078	A	MKDS 1/8-3.81	8	3.81	30.47	8.5	3.64	3.36	2.87	
651-1727081	A	MKDS 1/9-3.81	9	3.81	34.28	8.5	4.09	3.77	3.22	
651-1727094	A	MKDS 1/10-3.81	10	3.81	38.09	8.5	4.54	4.19	3.57	
651-1727104	A	MKDS 1/11-3.81	11	3.81	41.90	8.5	5.01	4.62	3.94	
651-1727117	A	MKDS 1/12-3.81	12	3.81	45.71	8.5	5.45	5.03	4.29	
<b>3.81mm PCB Terminal Blocks - 55° Wire-to-Pin Orientation</b>										
UL: 300V @ 10A, 30-16 AWG, Green Color										
651-1728284	B	SMKDS 1/2-3.81	2	3.81	7.61	9.5	1.03	.95	.81	
651-1728297	B	SMKDS 1/3-3.81	3	3.81	11.42	9.5	1.56	1.44	1.22	
651-1728307	B	SMKDS 1/4-3.81	4	3.81	15.23	9.5	2.08	1.92	1.64	
651-1728323	B	SMKDS 1/6-3.81	6	3.81	22.85	9.5	3.11	2.87	2.45	
651-1728349	B	SMKDS 1/8-3.81	8	3.81	30.47	9.5	4.14	3.83	3.26	
651-1728352	B	SMKDS 1/9-3.81	9	3.81	34.28	9.5	4.67	4.31	3.67	
651-1728365	B	SMKDS 1/10-3.81	10	3.81	38.09	9.5	5.18	4.78	4.07	
651-1728378	B	SMKDS 1/11-3.81	11	3.81	41.90	9.5	5.70	5.26	4.49	
651-1728381	B	SMKDS 1/12-3.81	12	3.81	45.71	9.5	6.23	5.75	4.91	
<b>3.81mm PCB Single Terminal Blocks - Vertical Wire to Pin Orientation, Front Connection</b>										
UL: 300V @ 10A, 28-14 AWG, Green Color										
651-1707742	C	FRONT 1.5-V-3.81	1	3.81	3.81	15.3	1.77	1.64	1.39	
651-1707755	-	D-FRONT 1.5-V					.35	.32	.28	
<b>5mm PCB Reduced Height Terminal Blocks - 90° Wire-to-Pin Orientation</b>										
UL: 300V @ 10A, 30-14 AWG, Green Color										
651-1729018	D	MKDSN 1.5/2	2	5	10	10	.77	.71	.61	
651-1729021	D	MKDSN 1.5/3	3	5	15	10	1.15	1.06	.90	
651-1729034	D	MKDSN 1.5/4	4	5	20	10	1.54	1.43	1.22	
651-1729047	D	MKDSN 1.5/5	5	5	25	10	1.93	1.78	1.52	
651-1729050	D	MKDSN 1.5/6	6	5	30	10	2.32	2.14	1.82	
651-1729063	D	MKDSN 1.5/7	7	5	35	10	2.69	2.48	2.12	
651-1729076	D	MKDSN 1.5/8	8	5	40	10	3.08	2.84	2.42	
651-1729089	D	MKDSN 1.5/9	9	5	45	10	3.46	3.20	2.73	

## Single Level, Through-Hole Solder Mounting (cont.)

For quantities of 100 and up, call for quote.

MOUSER STOCK NO.		Fig.	Phoenix Type	Pos.	Dimensions: mm			Price Each		
Mfr.	Mfr. Part No.				A	B	C	1	10	50
<b>5mm PCB Reduced Height Terminal Blocks - 90° Wire-to-Pin Orientation (cont.)</b>										
UL: 300V @ 10A, 30-14 AWG, Green Color										
651-1729092	D	MKDSN 1.5/10	10	5	50	10	3.85	3.55	3.03	
651-1729102	D	MKDSN 1.5/11	11	5	55	10	4.26	3.93	3.35	
651-1729115	D	MKDSN 1.5/12	12	5	60	10	4.63	4.28	3.65	
<b>5mm PCB Reduced Height Terminal Blocks - 55° Wire-to-Pin Orientation</b>										
UL: 300V @ 10A, 30-14 AWG, Green Color										
651-1869062	B	SMKDSN 1.5/2	2	5	11	11	.92	.85	.72	
651-1869075	B	SMKDSN 1.5/3	3	5	16	11	1.36	1.26	1.07	
651-1869088	B	SMKDSN 1.5/4	4	5	21	11	1.81	1.67	1.42	
651-1869091	B	SMKDSN 1.5/5	5	5	26	11	2.27	2.10	1.79	
651-1869101	B	SMKDSN 1.5/6	6	5	31	11	2.73	2.52	2.14	
651-1869114	B	SMKDSN 1.5/7	7	5	36	11	3.17	2.92	2.49	
651-1869127	B	SMKDSN 1.5/8	8	5	41	11	3.62	3.34	2.85	
651-1869143	B	SMKDSN 1.5/10	10	5	46	11	4.54	4.19	3.57	
<b>5mm PCB Terminal Blocks - 90° Wire-to-Pin Orientation</b>										
UL: 300V @ 10A, 30-14 AWG, Green Color										
651-1715022	D	MKDS 1.5/2	2	5	10	13.8	.93	.86	.73	
651-1715035	D	MKDS 1.5/3	3	5	15	13.8	1.39	1.28	1.09	
651-1715048	D	MKDS 1.5/4	4	5	20	13.8	1.84	1.70	1.45	
651-1715080	D	MKDS 1.5/8	8	5	40	13.8	3.69	3.41	2.90	
651-1715129	D	MKDS 1.5/12	12	5	60	13.8	5.53	5.10	4.35	
<b>5mm PCB Reduced Height Terminal Blocks - 90° Wire-to-Pin Orientation</b>										
UL: 300V @ 10A, 30-12 AWG, Green Color										
651-1890963	D	MKDSN 2.5/2	2	5	10	15	.82	.75	.64	
651-1890976	D	MKDSN 2.5/3	3	5	15	15	1.24	1.14	.97	
651-1890989	D	MKDSN 2.5/4	4	5	20	15	1.64	1.51	1.29	
<b>5mm PCB Terminal Blocks - 90° Wire-to-Pin Orientation</b>										
UL: 300V @ 10A, 30-12 AWG, Green Color										
651-1711026	E	MKDS 3/2	2	5	10	18	1.45	1.34	1.14	
651-1711039	E	MKDS 3/3	3	5	15	18	2.19	2.02	1.72	
651-1711042	E	MKDS 3/4	4	5	20	18	2.92	2.69	2.30	
651-1711084	E	MKDS 3/8	8	5	40	18	5.84	5.39	4.59	
651-1711123	E	MKDS 3/12	12	5	60	18	8.75	8.08	6.89	
<b>5mm PCB Terminal Blocks - 35° Wire-to-Pin Orientation with Test Connection</b>										
UL: 300V @ 10A, 30-14 AWG, Green Color										
651-1733415	F	SMKDSP 1.5/2	2	5	10	15.3	.98	.90	.77	
651-1733428	F	SMKDSP 1.5/3	3	5	15	15.3	1.45	1.34	1.14	
651-1733431	F	SMKDSP 1.5/4	4	5	20	15.3	1.93	1.78	1.52	
651-1733444	F	SMKDSP 1.5/5	5	5	25	15.3	2.42	2.23	1.90	
651-1733457	F	SMKDSP 1.5/6	6	5	30	15.3	2.91	2.68	2.29	
651-1733473	F	SMKDSP 1.5/8	8	5	40	15.3	3.88	3.58	3.06	
<b>5mm PCB Terminal Blocks - 35° Wire-to-Pin Orientation</b>										
UL: 300V @ 10A, 30-14 AWG, Green Color										
651-1713024	G	SMKDS 3/2	2	5	10	18	1.69	1.56	1.33	
651-1713037	G	SMKDS 3/3	3	5	15	18	2.53	2.34	1.99	
<b>5mm PCB Terminal Blocks - 90° Wire-to-Pin Orientation, Tall Design</b>										
UL: 300V @ 15A, 30-12 AWG, Green Color										
651-1721045	H	MKKDSH 3/2	2	5	10	31.5	2.57	2.37	2.02	
651-1721346	H	MKKDSH 3/3	3	5	15	31.5	3.85	3.55	3.03	
<b>5mm PCB Terminal Blocks - Vertical Wire-to-Pin Orientation</b>										
UL: 300V @ 10A, 30-14										