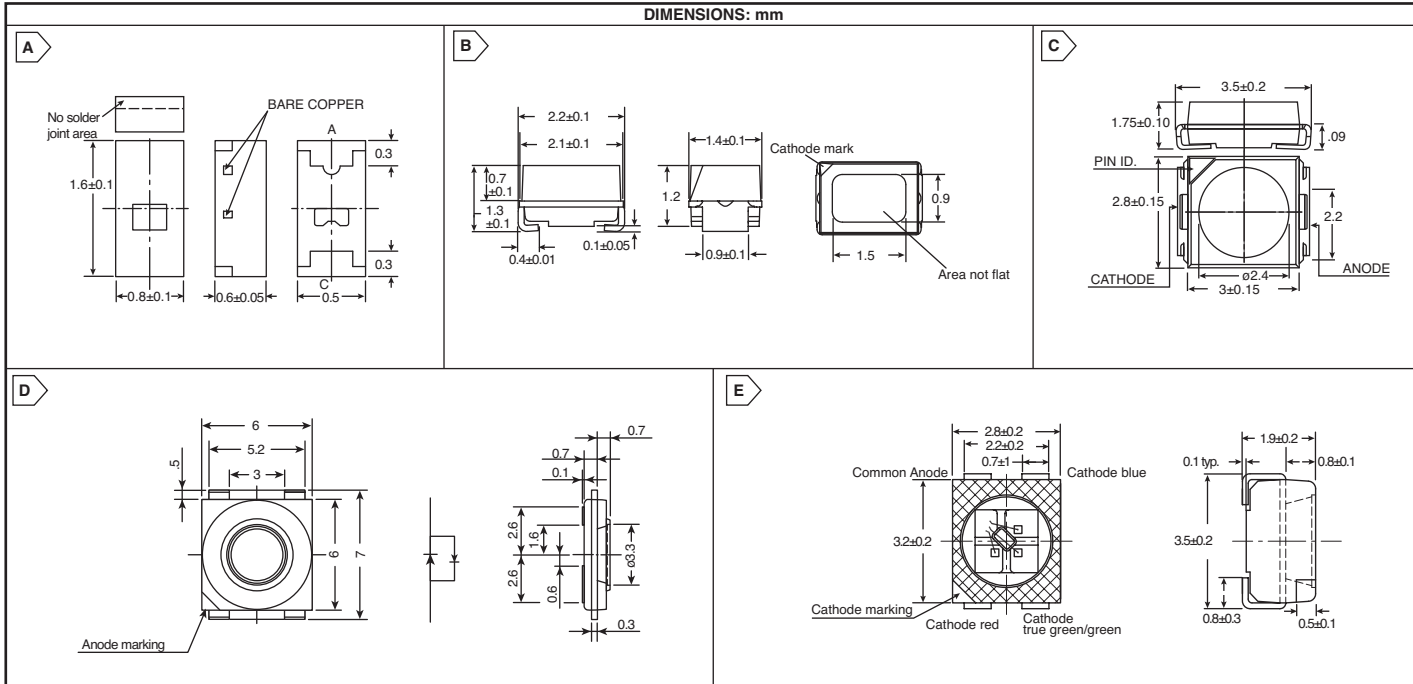


VISHAY LED Lamps

Products may be RoHS compliant. Check mouser.com for RoHS status.

DIMENSIONS: mm



Illumination

Vishay Semiconductors

NEW
FROM SUPPLIER

VISHAY LED LAMPS

◆ Surface Mount Device

For quantities of 1000 or more, call for quote.

MOUSER STOCK NO.	Vishay Part No.	Fig.	Color		Forward Voltage		Luminous Intensity (mcd)			Peak Wave-length (nm)	Viewing Angle	Price Each		
			LED	Lens	Typ.	Max.	Min.	Typ.	Max.			1	100	500
Standard SMD (0603)														
◆ 78-TLMB1100	TLMB1100-GS08	A	Blue	Non-Diffused	3.9	4.5	4.0	5.0	-----	428	80°	.74	.59	.49
◆ 782-TLMS1100	TLMS1100-GS08	A	Red	Non-Diffused	2.1	3.0	32	63	-----	645	80°	.14	.12	.095
◆ 78-TLMG1100	TLMG1100-GS08	A	Green	Non-Diffused	2.1	3.0	12.5	35	-----	572	80°	.17	.14	.11
◆ 78-TLMY1100	TLMY1100-GS08	A	Yellow	Non-Diffused	2.1	3.0	50	80	-----	591	80°	.17	.14	.11
◆ 78-VLMW11R2S2	VLMW11R2S2-5K8L-08	A	White	Non-Diffused	2.9	4.0	140	-----	280	-----	80°	.72	.58	.47
Standard SMD (MiniLED)														
◆ 78-VLMS21H2L1	VLMS21H2L1-GS08	B	Red	Clear Non-Diff	2.1	3.0	3.55	-----	14	640	60°	.14	.12	.095
◆ 78-VLMG21J2L1	VLMG21J2L1-GS08	B	Green	Clear Non-Diff	2.1	2.8	5.6	-----	14	565	60°	.13	.10	.083
◆ 78-VLMY21H2L1	VLMY21H2L1-GS08	B	Yellow	Clear Non-Diff	2.2	3.0	3.6	-----	14	585	60°	.14	.12	.095
◆ 78-VLMW21N2R2	VLMW21N2R2-5K8L-08	B	White	Clear Non-Diff	3.0	3.7	35.5	-----	180	-----	60°	.71	.57	.47
Standard SMD (PLCC-2)														
◆ 78-VLMB31J2L2	VLMB31J2L2-GS08	C	Blue	Non-Diffused	3.9	4.5	5.6	-----	11.2	428	60°	.63	.50	.41
◆ 78-VLMB31K2L2	VLMB31K2L2-GS08	C	Blue	Non-Diffused	3.9	4.5	9.0	-----	18	428	60°	.63	.50	.41
◆ 78-VLMB3140	VLMB3140-GS08	C	Blue	Non-Diffused	3.0	4.2	45	100	-----	464	60°	2.08	1.66	1.37
◆ 78-VLMB41P1Q2	VLMB41P1Q2-GS08	C	Blue	Non-Diffused	3.0	4.2	45	-----	112	464	60°	.54	.43	.35
◆ 78-VLMB314P2S1	VLMB314P2S1-GS08	C	Blue	Non-Diffused	3.0	4.2	56	-----	224	464	60°	.63	.50	.41
◆ 78-VLMH3100	VLMH3100-GS08	C	Hi-Eff. Red	Non-Diffused	2.0	2.8	2.8	10	-----	635	60°	.13	.11	.087
◆ 78-VLMO3100	VLMO3100-GS08	C	Soft Orange	Non-Diffused	2.0	2.8	2.8	8.0	-----	605	60°	.13	.11	.087
◆ 78-VLMG3100	VLMG3100-GS08	C	Green	Non-Diffused	2.2	2.8	4.5	16	-----	565	60°	.13	.10	.083
◆ 78-VLMP3100	VLMP3100-GS08	C	Pure Green	Non-Diffused	2.0	2.8	1.1	4.0	-----	555	60°	.16	.13	.10
◆ 78-VLMG31L1M2	VLMG31L1M2-GS08	C	Pure Green	Non-Diffused	2.0	2.6	11.2	-----	28	565	60°	.19	.16	.13
◆ 78-VLMY3100	VLMY3100-GS08	C	Yellow	Non-Diffused	2.1	2.8	2.8	10	-----	585	60°	.12	.09	.081
◆ 78-VLMW31Q2R2	VLMW31Q2R2-5K8L-08	C	White	Non-Diffused	3.5	4.2	90	-----	180	-----	60°	.69	.55	.45
◆ 78-VLMW31P1S1	VLMW31P1S1-5K8L-08	C	White	Non-Diffused	3.5	4.2	45	-----	224	-----	60°	.69	.55	.45
◆ 78-VLMW41R1T1	VLMW41R1T1-5K8L-08	C	White	Non-Diffused	3.3	4.2	112	-----	355	-----	60°	.55	.44	.36
1 Watt Power SMD (6.0x6.0x1.5mm)														
◆ 78-VLMW711T3U2US	VLMW711T3U2US-GS08	D	White	-----	3.5	4.0	-----	25000	-----	-----	120°	4.00	3.20	2.64
◆ 78-VLMW711U2U3XV	VLMW711U2U3XV-GS08	D	White	-----	3.5	4.0	-----	29700	-----	-----	120°	3.63	2.90	2.39
Power SMD (MiniLED)														
◆ 78-VLMK23P2S1	VLMK23P2S1-GS08	B	Red	Clear Non-Diff	1.9	2.6	56	-----	224	643	60°	.14	.11	.091
◆ 78-VLMP23K2M2	VLMP23K2M2-GS08	B	Green	Clear Non-Diff	2.2	2.6	9	-----	28	555	60°	.21	.17	.14
Power SMD (PLCC-2)														
◆ 78-VLMR33R2U2	VLMR33R2U2-GS08	C	Amber	Clear Non-Diff	2.0	2.5	140	-----	710	624	60°	.19	.16	.13
◆ 78-VLMO33T1U2	VLMO33T1U2-GS08	C	Soft Orange	Clear Non-Diff	2.0	2.5	280	-----	710	611	60°	.21	.17	.14
◆ 78-VLMPG33N1P2	VLMPG33N1P2-GS08	C	Pure Green	Clear Non-Diff	2.0	2.5	28	-----	71	565	60°	.19	.16	.13
◆ 78-VLMW33T2AA	VLMW33T2AA-5K8L-08	C	White	Clear Non-Diff	3.7	4.2	355	-----	1400	-----	60°	.75	.60	.50
Power SMD (PLCC-4)														
◆ 78-VLMW32T1V2	VLMW32T1V2-5K8L-08	D	White	Clear Non-Diff	3.7	4.2	280	-----	1120	-----	60°	.78	.62	.51
◆ 78-VLMW32U2V2	VLMW32U2V2-5K8L-08	D	White	Clear Non-Diff	3.7	4.2	560	-----	1120	-----	60°	.78	.62	.51
Low Current SMD (0603)														
◆ 78-TLMS1000	TLMS1000-GS08	A	Red	Clear Non-Diff	1.8	2.6	1.6	4.0	-----	640	80°	.17	.14	.11