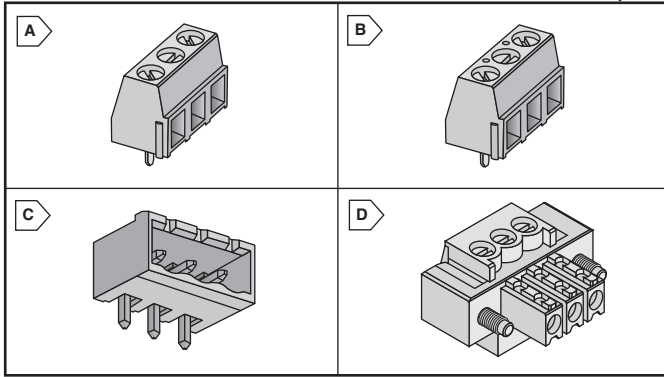


TYCO ELECTRONICS Terminal Blocks and Modules



RoHS Compliant This product is RoHS compliant.

Authorized Distributor



PLUGS, STACKING WITH INTERLOCK - ONE PIECE

- UL Rating: 300V, 13.5 A
- Wire Size: 16-30 AWG, 10 A for field wiring
- Board Mount
- Side Wire Entry
- Color: Green
- Low profile
- RoHS Compliant per Tyco Electronics documentation

For quantities of 200 and up, call for quote.

MOUSER STOCK NO.	Tyco Electronics Part No.	Fig.	No. of Positions	Length (In.)	Price Each			
					1	25	50	100
5.0mm Stacking Terminal Blocks								
571-2828362	282836-2	A	2	0.394	.45	.38	.36	.34
571-2828363	282836-3	A	3	0.591	.66	.64	.61	.57
571-2828364	282836-4	A	4	0.787	.76	.69	.65	.61
571-2828365	282836-5	A	5	0.984	.90	.81	.78	.72
571-2828366	282836-6	A	6	1.181	1.20	1.08	1.02	.96
571-2828367	282836-7	A	7	1.378	1.66	1.59	1.44	1.35
571-2828368	282836-8	A	8	1.575	1.48	1.34	1.26	1.19
5.08mm Stacking Terminal Blocks								
571-2828372	282837-2	B	2	0.400	.36	.33	.31	.29
571-2828373	282837-3	B	3	0.600	.97	.85	.77	.712
571-2828374	282837-4	B	4	0.800	.65	.59	.56	.54
571-2828375	282837-5	B	5	1.000	1.10	1.06	1.01	.95
571-2828376	282837-6	B	6	1.200	1.04	1.02	.95	.87
571-2828377	282837-7	B	7	1.400	1.42	1.28	1.20	1.15
571-2828378	282837-8	B	8	1.600	1.68	1.34	1.26	1.19

HEADERS, RIGHT ANGLE W/ CLOSED ENDS - TWO PIECE

- UL Rating: 300V, 12 A
- Color: Green
- RoHS Compliant per Tyco Electronics documentation

For quantities of 200 and up, call for quote.

MOUSER STOCK NO.	Tyco Electronics Part No.	Fig.	No. of Positions	Length (In.)	Price Each			
					1	25	50	100
5.0mm Headers								
571-796644-2	796644-2	C	2	0.394	.33	.30	.28	.26
571-796644-3	796644-3	C	3	0.591	.59	.52	.46	.43
571-796644-4	796644-4	C	4	0.787	.76	.69	.64	.61
571-796644-5	796644-5	C	5	0.984	.99	.89	.849	.794
571-796644-6	796644-6	C	6	1.181	1.28	1.22	1.16	1.10
571-796644-7	796644-7	C	7	1.378	1.42	1.28	1.20	1.14
571-796644-8	796644-8	C	8	1.575	1.60	1.44	1.36	1.28
5.08mm Headers								
571-7966382	796638-2	C	2	0.4	.28	.26	.25	.24
571-7966383	796638-3	C	3	0.6	.56	.48	.44	.41
571-7966384	796638-4	C	4	0.8	.69	.63	.59	.54
571-7966385	796638-5	C	5	1.0	1.07	.97	.935	.871
571-7966386	796638-6	C	6	1.2	1.18	1.13	1.07	1.00
571-7966387	796638-7	C	7	1.4	1.42	1.28	1.20	1.14
571-7966388	796638-8	C	8	1.6	1.43	1.32	1.26	1.20

PLUGS, RIGHT ANGLE WITH SCREW FLANGE - TWO PIECE

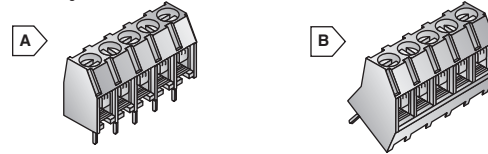
- UL Rating: 300V, 12 A
- Wire Size: 12-30 AWG
- Color: Green
- RoHS Compliant per Tyco Electronics documentation

For quantities of 200 and up, call for quote.

MOUSER STOCK NO.	Tyco Electronics Part No.	Fig.	No. of Positions	Length (In.)	Price Each			
					1	25	50	100
3.5mm Centerline								
571-284510-2	284510-2	D	2	0.138	1.20	1.08	1.02	.96
571-284510-3	284510-3	D	3	0.276	2.00	1.80	1.70	1.60
571-284510-4	284510-4	D	4	0.413	2.76	2.50	2.35	2.22
571-284510-5	284510-5	D	5	0.551	3.43	3.25	3.08	2.92
571-284510-6	284510-6	D	6	0.689	5.29	5.03	4.75	4.49
571-284510-7	284510-7	D	7	0.827	6.22	5.90	5.60	5.28
571-284510-8	284510-8	D	8	0.965	7.15	6.79	6.43	6.07
3.81mm Centerline								
571-284511-2	284511-2	D	2	0.15	1.13	1.02	.961	.909
571-284511-3	284511-3	D	3	0.30	2.00	1.80	1.70	1.60
571-284511-4	284511-4	D	4	0.45	2.76	2.50	2.35	2.22
571-284511-5	284511-5	D	5	0.60	3.43	3.25	3.08	2.92
571-284511-6	284511-6	D	6	0.75	5.29	5.03	4.75	4.49
571-284511-7	284511-7	D	7	0.90	6.22	5.90	5.60	5.28
571-284511-8	284511-8	D	8	1.05	7.15	6.79	6.43	6.07

5.08MM CONNECTORS WITH WIRE PROTECTOR

- RoHS Compliant per Tyco Electronics documentation
- Housing Material: Thermoplastic Polyester
- UL94V-0
- 20A rating
- 300 V
- 3-48 screws on .2" centers
- 12-22 AWG
- Wire protector: Stainless Steel
- Color: Black



Vertical

For quantities of 200 and up, call for quote.

MOUSER STOCK NO.	Tyco Electronics Part No.	Fig.	No. of Positions	Overall Length (In.)	Price Each			
					1	25	50	100
571-7969492	796949-2	A	2	0.400	.45	.42	.40	.37
571-7969493	796949-3	A	3	0.600	1.01	.90	.80	.722
571-7969494	796949-4	A	4	0.800	1.52	1.37	1.32	1.20
571-7969495	796949-5	A	5	1.000	1.43	1.38	1.30	1.20
571-7969496	796949-6	A	6	1.200	2.47	2.35	2.26	2.08
571-7969497	796949-7	A	7	1.400	1.83	1.65	1.57	1.47
571-7969498	796949-8	A	8	1.600	2.19	2.09	1.98	1.87
571-17969490	1-796949-0	A	10	2.000	2.62	2.49	2.36	2.23
571-17969492	1-796949-2	A	12	2.400	3.53	3.37	3.19	3.01

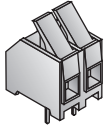
45° Angle

For quantities of 200 and up, call for quote.

MOUSER STOCK NO.	Tyco Electronics Part No.	Fig.	No. of Positions	Overall Length (In.)	Price Each			
					1	25	50	100
571-15460742	1546074-2	B	2	0.400	.85	.76	.684	.663
571-15460743	1546074-3	B	3	0.600	1.48	1.40	1.27	1.04
571-15460744	1546074-4	B	4	0.800	2.18	1.93	1.74	1.69
571-15460745	1546074-5	B	5	1.000	2.56	2.51	2.41	2.32
571-115460742	1-1546074-2	B	12	2.400	5.73	5.45	5.15	4.87

5.08MM TERMINAL BLOCKS WITH SCREWLESS CLAMP

- Housing Material: Thermoplastic Polyester
- UL94V-0
- .2" spacing
- Color: Black
- RoHS Compliant per Tyco Electronics documentation
- 18-22 AWG wire range
- No special tool required
- 20A rating



For quantities of 200 and up, call for quote.

MOUSER STOCK NO.	Tyco Electronics Part No.	No. of Positions	Overall Length (In.)	Price Each			
				1	25	50	100
571-14376711	1437671-1	2	0.400	.83	.74	.70	.66
571-14376714	1437671-4	3	0.600	1.89	1.81	1.71	1.62
571-14376716	1437671-6	4	0.800	1.99	1.86	1.75	1.62
571-14376717	1437671-7	5	1.000	2.04	1.94	1.84	1.73

INTERFACE MODULES AND ACCESSORIES

These Modules convert industry specific connectors to field wiring and are designed to supply custom solutions.

Features:

- Mounts on SNAPTRACK Channel which can be panel mounted or snapped to a DIN rail.
- Terminal Block screws supplied in ready-to-wire position to save installation time.

A

Specifications:

- Housing Material: Thermoplastic polyester
- Terminals: Copper alloy, selective gold over nickel
- Shell Material: Bright tin plated, female screw locks installed

B

Specifications:

- Header: Brass, gold over nickel
- Connector: Copper alloy; gold over nickel
- Wire Range: 26-30 AWG solid, 28 AWG stranded
- Maximum Range: 1 Ampere

C

Specifications for Figure A&B Terminal Block:

- Flammability: UL94V-0
- Color: Black
- Housing Material: Thermoplastic polyester
- Wire Range: 12-22 AWG wire range
- Max. Operating Temp: 120°C
- Screws: #3-48, steel zinc plated
- Terminals: Bright acid-tin over copper alloy
- RoHS Compliant per Tyco Electronics documentation

For quantities of 25 and up, call for quote.

MOUSER STOCK NO.	Tyco Electronics Part No.	Fig.	No. of Contacts	Description	Price Each		
					1	5	10
571-1546693-1	1546693-1	A	9	D-sub conn. module	29.79	28.36	25.53
571-1546694-1	1546694-1	A	15	D-sub conn. module	35.39	33.70	30.33
571-1776606-1	1776606-1	A	25	D-sub conn. module	54.61	52.39	49.99
571-1546695-1	1546695-1	A	37	D-sub conn. module	53.21	50.67	45.60
571-1776626-1	1776626-1	B	20	Flat cable conn. module	57.21	52.63	49.36
571-1776630-1	1776630-1	B	26	Flat cable conn. module	51.70	49.24	44.31
571-1776640-1	1776640-1	B	40	Flat cable conn. module	146.17	134.47	127.75
571-1776642-1	1776642-1	B	50	Flat cable conn. module	101.71	97.93	94.81
571-1776644-1	1776644-1	B	60	Flat cable conn. module	119.30	113.62	110.10
506-2TK2-6	1-1437685-4	C	---	Mounting channel, 6"	10.82	10.56	10.25
506-2TK2-12	1437685-6	C	---	Mounting channel, 12"	7.19	6.83	6.47