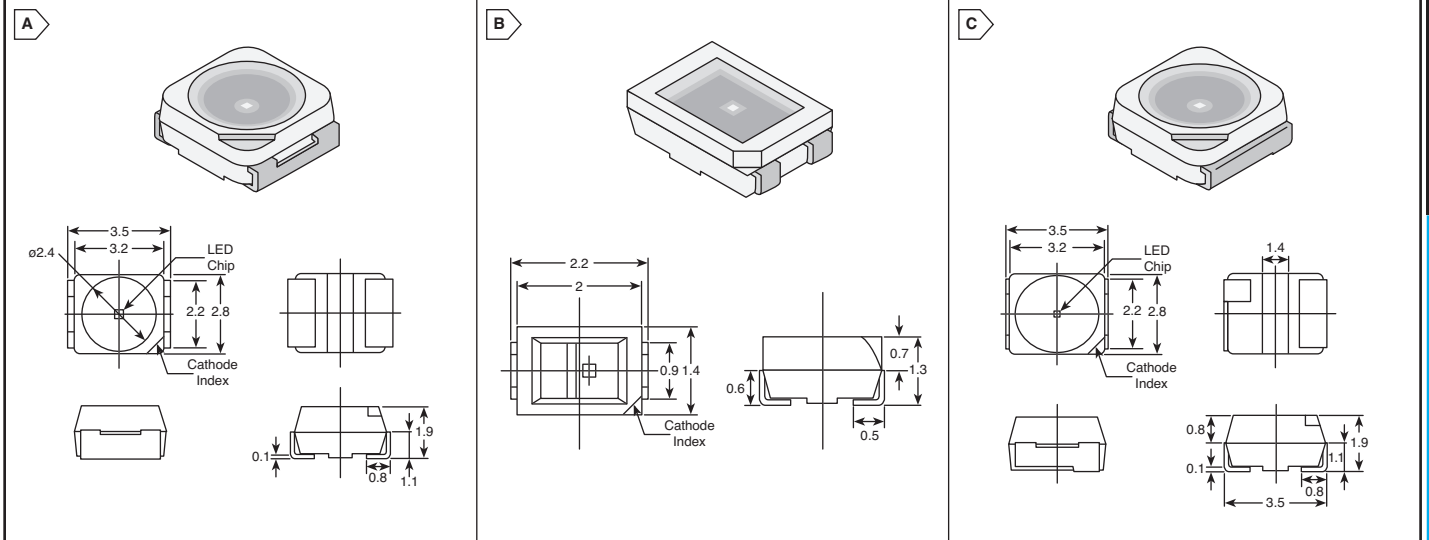


TOSHIBA Visable LEDs

TOSHIBA
Leading Innovation >>>

RoHS Compliant This product is RoHS compliant.

DIMENSIONS: mm



Toshiba America Electronic Components, Inc., (TAEC)* has expanded its lineup of compact, high-efficiency white light emitting diodes (LEDs) with new devices in PLCC-2 packages. Toshiba ranks in the top 10 (2005 Marketing Eye) as a leading, worldwide supplier of white LED drivers (W-LEDD). Toshiba's family of W-LEDDs feature high brightness with low-power consumption and small package size, making them ideal for LCD backlight and secondary camera flash applications.

Looking for highly bright, high-flux white LEDs? Toshiba continuously introduces innovative visible LED technology and packaging techniques to meet the ever-increasing demand of new and specialty applications requiring higher levels of luminous output, power and color. Among the first to introduce InGaAlP technology to improve luminous intensity, Toshiba also developed new visible LEDs based on the combination of ultraviolet (UV) LED and phosphor technology, which allows new colors to be generated and minimizes color shift.



RoHS Compliant

For quantities of 500 and up, call for quote.

MOUSER STOCK NO.	Toshiba Part No.	Fig.	Package Size	Case Size	LED Size	Color	Wave-length	Luminous Intensity Typ (Mcd)	Current @ IF (mA)	Voltage (Max.)	Viewing Angle	Price Each			
												1	10	100	250
757-TLRE1100BT11	TLRE1100B(T11)	A	3.5 x 2.8	PLCC	2.2mm	Red	630nm	100	20	2.4	120	.28	.21	.19	.16
757-TLRF1060T18	TLRF1060(T18)	B	2.2 x 1.4	Mini PLCC	.09mm	Red	630nm	100	20	2.5	100	.28	.21	.19	.16
757-TLRH1100BT11	TLRH1100B(T11)	A	3.5 x 2.8	PLCC	2.2mm	Red	630nm	150	20	2.3	120	.28	.21	.19	.16
757-TLRK1100CT11	TLRK1100C(T11)	A	3.5 x 2.8	PLCC	2.2mm	Red	630nm	300	20	2.5	120	.28	.21	.19	.16
757-TLRH1106T11	TLRH1106(T11)	A	3.5 x 2.8	PLCC	2.2mm	Red	630nm	380	50	2.5	100	.28	.21	.19	.16
757-TLRMH1100BT11	TLRMH1100B(T11)	A	3.5 x 2.8	PLCC	2.2mm	Red	626nm	150	20	2.3	120	.28	.21	.19	.16
757-TLRMH1106T11	TLRMH1106(T11)	A	3.5 x 2.8	PLCC	2.2mm	Red	626nm	380	50	2.5	100	.28	.21	.19	.16
757-TLRMK1100CT11	TLRMK1100C(T11)	A	3.5 x 2.8	PLCC	2.2mm	Red	626nm	400	20	2.5	120	.28	.21	.19	.16
757-TLSE1100BT11	TLSE1100B(T11)	A	3.5 x 2.8	PLCC	2.2mm	Red	613nm	180	20	2.4	120	.28	.21	.19	.16
757-TLSF1060T18	TLSF1060(T18)	B	2.2 x 1.4	Mini PLCC	.09mm	Red	613nm	200	20	2.5	120	.28	.21	.19	.16
757-TLSH1100BT11	TLSH1100B(T11)	A	3.5 x 2.8	PLCC	2.2mm	Red	613nm	260	20	2.3	120	.28	.21	.19	.16
757-TLSH1106T11	TLSH1106(T11)	C	3.2 x 2.8	PLCC	2.2mm	Red	613nm	500	50	2.5	120	.28	.21	.19	.16
757-TLSK1100CT11	TLSK1100C(T11)	A	3.5 x 2.8	PLCC	2.2mm	Red	613nm	500	20	2.5	120	.28	.21	.19	.16
757-TLOE1100BT11	TLOE1100B(T11)	A	3.5 x 2.8	PLCC	2.2mm	Orange	605nm	150	20	2.4	120	.28	.21	.19	.16
757-TLOF1060T18	TLOF1060(T18)	B	2.2 x 1.4	Mini PLCC	.09mm	Orange	605nm	220	20	2.5	100	.28	.21	.19	.16
757-TLOH1106T11	TLOH1106(T11)	C	3.2 x 2.8	PLCC	2.2mm	Orange	605nm	270	20	2.5	120	.28	.21	.19	.16
757-TLOH1100BT11	TLOH1100B(T11)	A	3.5 x 2.8	PLCC	2.2mm	Orange	605nm	270	20	2.3	120	.28	.21	.19	.16
757-TLOK1100CT11	TLOK1100C(T11)	A	3.5 x 2.8	PLCC	2.2mm	Orange	605nm	500	20	2.5	120	.28	.21	.19	.16
757-TLYK1100CT11	TLYK1100C(T11)	A	3.5 x 2.8	PLCC	2.2mm	Yellow	590nm	400	20	2.5	120	.28	.21	.19	.16
757-TLYE1100BT11	TLYE1100B(T11)	A	3.5 x 2.8	PLCC	2.2mm	Yellow	587nm	150	20	2.4	120	.28	.21	.19	.16
757-TLYF1060T18	TLYF1060(T18)	B	2.2 x 1.4	Mini PLCC	.09mm	Yellow	587nm	180	20	2.5	100	.28	.21	.19	.16
757-TLYH1106T11	TLYH1106(T11)	A	3.2 x 2.8	PLCC	2.2mm	Yellow	587nm	220	20	2.5	120	.28	.21	.19	.16
757-TLYH1100BT11	TLYH1100B(T11)	A	3.5 x 2.8	PLCC	2.2mm	Yellow	587nm	220	20	2.3	120	.28	.21	.19	.16
757-TLYPYF1060T18	TLYPYF1060(T18)	B	2.2 x 1.4	Mini PLCC	.09mm	Yellow	580nm	180	20	2.5	100	.28	.21	.19	.16
757-TLGF1060T18	TLGF1060(T18)	B	2.2 x 1.4	Mini PLCC	.09mm	Green	571nm	80	20	2.5	100	.28	.21	.19	.16
757-TLGE1100BT11	TLGE1100B(T11)	A	3.5 x 2.8	PLCC	2.2mm	Green	571nm	100	20	2.4	120	.28	.21	.19	.16
757-TLGH1100BT11	TLGH1100B(T11)	A	3.5 x 2.8	PLCC	2.2mm	Green	571nm	150	20	2.5	120	.28	.21	.19	.16
757-TLGH1106T11	TLGH1106(T11)	A	3.5 x 2.8	PLCC	2.2mm	Green	571nm	200	50	2.5	120	.28	.21	.19	.16
757-TLFG1100BT11	TLFG1100B(T11)	A	3.5 x 2.8	PLCC	2.2mm	Green	565nm	45	20	2.4	120	.28	.21	.19	.16
757-TLFGF1060T18	TLFGF1060(T18)	B	2.2 x 1.4	Mini PLCC	.09mm	Green	565nm	50	20	2.5	100	.28	.21	.19	.16
757-TLFGH1100BT11	TLFGH1100B(T11)	A	3.5 x 2.8	PLCC	2.2mm	Green	565nm	70	20	2.5	120	.28	.21	.19	.16
757-TLPGF1060T18	TLPGF1060(T18)	B	2.2 x 1.4	PLCC	2.2mm	Green	558nm	20	20	2.5	100	.28	.21	.19	.16
757-TLPG1100BT11	TLPGE1100B(T11)	A	3.5 x 2.8	PLCC	2.2mm	Green	558nm	25	20	2.4	120	.28	.21	.19	.16
757-TLPGH1100BT11	TLPGE1100B(T11)	A	3.5 x 2.8	PLCC	2.2mm	Green	558nm	35	20	2.5	120	.28	.21	.19	.16
757-TLEGD1060T18	TLEGD1060(T18)	B	2.2 x 1.4	Mini PLCC	.09mm	Green	528nm	150	20	4	100	.48	.42	.32	.30
757-TLEGD1100BT11	TLEGD1100B(T11)	A	3.5 x 2.8	PLCC	2.2mm	Green	528nm	200	20	4	120	.24	.22	.20	.18
757-TLEGE1100BT11	TLEGE1100B(T11)	A	3.5 x 2.8	PLCC	2.2mm	Green	528nm	350	20	4.4	120	.56	.51	.45	.42
757-TLGE1100BT11	TLGTE1100B(T11)	A	3.5 x 2.8	PLCC	2.2mm	Green	505nm	300	20	4.5	120	.82	.67	.56	.53
757-TLGE1100BT11	TLGTE1100B(T11)	A	3.5 x 2.8	PLCC	2.2mm	Blue	470nm	7	10	4.3	120	.56	.45	.42	.38
757-TLBD1060T18	TLBD1060(T18)	B	2.2 x 1.4	Mini PLCC	.09mm	Blue	470nm	60	20	4	100	.45	.39	.26	.24
757-TLBD1100BT11	TLBD1100B(T11)	A	3.5 x 2.8	PLCC	2.2mm	Blue	470nm	70	10	4	120	.24	.22	.20	.18
757-TLBA1100BT11	TLBA1100B(T11)	A	3.5 x 2.8	PLCC	2.2mm	Blue	465nm	7	10	4.2	120	.45	.39	.28	.26