


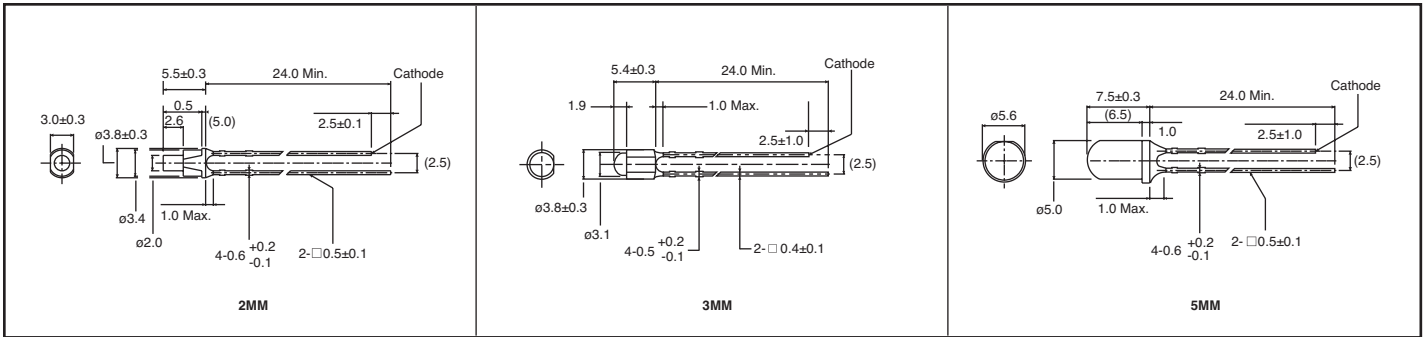
# ROHM SEMICONDUCTOR LEDs and Opto Components

**ROHM**  
SEMICONDUCTOR

 This product is RoHS compliant.

Illumination

ROHM Semiconductor



DIMENSIONS: mm

## ROHM THRU HOLE LEDs

SEMICONDUCTOR

For quantities of 500 and up, call for quote.

MOUSER STOCK NO.		Color	Wavelength (nm)	LV Min (mcd)	Price Each			
Mfr.	Mfr. Part No.				1	25	100	250
<b>2mm</b>								
755	SLC-22DU3F	Orange	610	0.56	.51	.37	.257	.16
<b>3mm</b>								
755	SLA-360LT3F	Red	660	20	.61	.29	.237	.20
755	SLA-370LT3F	Red	660	42	.53	.25	.207	.174
755	SLA-370MT3F	Green	563	42	.53	.25	.207	.174
755	SLI-343UR3FW	Red	630	36	.44	.33	.239	.154
755	SLR-322MC3F	Green	563	9	.31	.15	.111	.091
755	SLR-322MG3F	Green	563	3.6	.31	.15	.111	.091
755	SLR-322VC3F	Red	650	5.6	.31	.15	.111	.091
755	SLR-322VR3F	Red	650	3.6	.31	.15	.111	.091
755	SLR-332MG3F	Green	563	5.6	.36	.14	.119	.087
755	SLR-332VR3F	Red	650	3.6	.36	.14	.119	.087
755	SLR-342MC3F	Green	563	9	.36	.14	.119	.087
755	SLR-342MG3F	Green	563	5.6	.31	.12	.102	.075
755	SLR-342MGT32	Green	563	5.6	.36	.14	.119	.087
755	SLR-342VC3F	Red	650	9	.36	.14	.119	.087
755	SLR-342VR3F	Red	650	5.6	.27	.12	.088	.071
755	SLR-342VRT32	Red	650	5.6	.36	.24	.167	.103
755	SLR-342YY3F	Yellow	585	3.6	.31	.12	.102	.075
755	SLR343BC4T3F	Blue	468	200	1.89	1.05	.922	.815
755	SLR343BC3F	Blue	468	200	2.16	1.24	1.06	.969
755	SLR343ECT3F	Green	518	610	1.92	1.10	.942	.861
755	SLR343WBD2PT21	White	-	3300	1.20	1.00	.80	.60
755	SLR343WBD2PT31	White	-	3300	1.20	1.00	.80	.60
755	SLR343WBD2PT51	White	-	3300	1.20	1.00	.80	.60
755	SLR-343MCT32	Green	563	9	.33	.13	.11	.081
755	SLR-343MGT32	Green	563	5.6	.33	.13	.11	.081
755	SLR-343VCT32	Red	650	9	.33	.13	.11	.081
755	SLR-343VRT32	Red	650	5.6	.33	.13	.11	.081
755	SPR-39MVWF	Green/Red	563/650	3.6/2.2	.61	.29	.237	.20
755	SLI-343D8C3F	Orange	611	680	.50	.36	.253	.157
755	SLI-343DC3F	Orange	611	90	.80	.38	.311	.264
755	SLI-343P8C3F	Green	560	22	.50	.36	.253	.157
755	SLI-343P8G3F	Green	560	22	.50	.36	.253	.157
755	SLI-343U8R3F	Red	630	220	.50	.36	.253	.157
755	SLI-343U8RC3F	Red	630	220	.50	.36	.253	.157
755	SLI-343UR3F	Red	630	90	.80	.38	.311	.264
755	SLI-343URC3FW	Red	630	36	.44	.33	.239	.154
755	SLI-343URCT32	Red	630	90	.80	.38	.311	.262
755	SLI-343V8RC3F	Red	639	220	.50	.36	.253	.157
755	SLI-343YC3F	Yellow	591	90	.80	.38	.311	.264
755	SLI-343YY3FW	Yellow	591	36	.44	.33	.239	.154
755	SLR-332DU3F	Orange	610	3.6	.36	.14	.119	.083
755	SLR-332MC3F	Green	563	5.6	.36	.14	.119	.083
755	SLR-332YY3F	Yellow	585	2.2	.36	.14	.119	.083
755	SLR343BC7T3F	Blue	468	470	.64	.39	.336	.23
755	SLR343WBC7T3	White	-	330	.64	.39	.336	.23
755	SLR-322YY3F	Yellow	585	10	.31	.15	.111	.087
<b>5mm</b>								
755	SLA560BAT3F	Blue	468	2200	.70	.63	.495	.366
755	SLA560BC7T3F	Blue	468	680	.60	.38	.314	.21
755	SLA560BCT3F	Blue	468	200	2.13	1.23	1.05	.956
755	SLA560BD2T3F	Blue	468	2200	.96	.72	.621	.45
755	SLA560EC4T3F	Green	523	1500	1.66	.90	.785	.693
755	SLA-560LT3F	Red	660	42	.50	.28	.213	.174
755	SLA-560MT3F	Green	563	42	.46	.22	.165	.135
755	SLA560WBC7T2XM	White	0.31, 0.31	470	.72	.57	.424	.345
755	SLA560WBC7T3	White	-	1000	.68	.51	.39	.29
755	SLA560WBD2PT2	White	-	3300	1.20	1.00	.80	.60
755	SLA560WBD2PT3	White	-	3300	1.20	1.00	.80	.60
755	SLA-570LT3F	Red	660	90	.61	.29	.237	.20
755	SLA-570MT3F	Green	563	200	.37	.18	.132	.108
755	SLA580BAT3F	Blue	468	2500	.70	.63	.495	.366
755	SLA580BCT3F	Blue	468	900	2.13	1.23	1.05	.956
755	SLA580ECT3F	Green	518	3000	2.40	1.38	1.18	1.08
755	SLA-580LT3F	Red	660	200	.50	.28	.213	.174
755	SLA-580MT3F	Green	563	200	.41	.20	.147	.12
755	SLI-560DT3F	Orange	611	300	.54	.26	.195	.159

## ROHM THRU HOLE LEDs (CONT.)

SEMICONDUCTOR

For quantities of 500 and up, call for quote.

MOUSER STOCK NO.		Color	Wavelength (nm)	LV Min (mcd)	Price Each			
Mfr.	Mfr. Part No.				1	25	100	250
<b>5mm (Cont.)</b>								
755	SLI-560UT3F	Red	630	300	.50	.24	.18	.147
755	SLI-570DT3F	Orange	611	900	.54	.26	.195	.159
755	SLI-570UT3F	Red	630	900	.50	.24	.181	.148
755	SLI-570YT3F	Yellow	591	610	.54	.26	.195	.159
755	SLI-580DT3F	Orange	611	1300	.54	.26	.195	.159
755	SLI-580UT3F	Red	630	2000	.54	.26	.195	.159
755	SLI-580YT3F	Yellow	591	1300	.54	.26	.195	.159
755	SLR-56VC3F	Orange	610	9	.34	.16	.122	.099
755	SLR-56DU3F	Orange	610	3.6	.34	.16	.122	.099
755	SLR-56MC3F	Green	563	14	.34	.16	.122	.099
755	SLR-56MG3F	Green	563	5.6	.33	.13	.11	.081
755	SLR-56MGT32	Green	563	5.6	.33	.13	.11	.081
755	SLR-56VR3F	Red	650	9	.34	.16	.122	.099
755	SLR-56VR3F	Red	650	3.6	.33	.13	.11	.081
755	SLR-56VC3F	Yellow	585	9	.34	.16	.122	.099
755	SLR-56Y3F	Yellow	585	3.6	.33	.13	.11	.081
755	SLR-56YYT32	Yellow	585	3.6	.33	.13	.11	.081
755	SPR-54MVWF	Green/Red	563/650	3.6/2.2	.82	.39	.32	.269
755	SLR-56VCT32	Red	650	9	.34	.16	.122	.099
755	SLI-560YT3F	Yellow	591	1000	.54	.26	.195	.152
755	SLR-56VTE7	Red	650	3.6	.34	.16	.122	.099

## ROHM PHOT INTERRUPTERS

SEMICONDUCTOR

For quantities of 250 and up, call for quote.

MOUSER STOCK NO.	Rohm Part No.	VCEO Max (V)	Gap Width (mm)	Slit Width (mm)	Price Each		
					1	25	100
755	RPI-0125	30	1.2	0.3	.90	.75	.60
755	RPI-0126	30	1.2	0.3	.84	.63	.48
755	RPI-0226	30	2	0.3	1.09	.59	.479
755	RPI-125	30	1.2	0.3	.88	.64	.483
755	RPI-221A	30	2.3	0.4	.80	.59	.439
755	RPI-222	30	2	0.2	.60	.51	.433
755	RPI-352	30	3	0.4	.70	.63	.495
755	RPI-441C1	30	4	0.5	.60	.51	.433
755	RPI-579N1	30	5	0.5	.71	.66	.523
755	RPR-220	30	-	-	1.45	1.13	1.08
755	SIM-012SBT87	40	-	-	.65	.37	.301
755	SIM-012SBT97	40	-	-	.65	.37	.301

## ROHM PHOTOTRANSISTORS

SEMICONDUCTOR

For quantities of 250 and up, call for quote.

MOUSER STOCK NO.	Rohm Part No.	Collector Curr. Max (mA)	Peak Wavelength (nm)	Power Diss. Max (mW)	Price Each		
					1	25	100
755	RPM-012PBT87	20	800	75	.81	.63	.474
755	RPM-075PTT86	10	600	50	.60	.54	.425
755	RPM-22PB	30	800	150	.41	.39	.283
755	RPT-34PB3F	30	800	150	.43	.40	.259
755	RPT-37PB3F	30	800	150	.48	.36	.314
755	RPT-38PB3F	30	800	150	.48	.36	.314