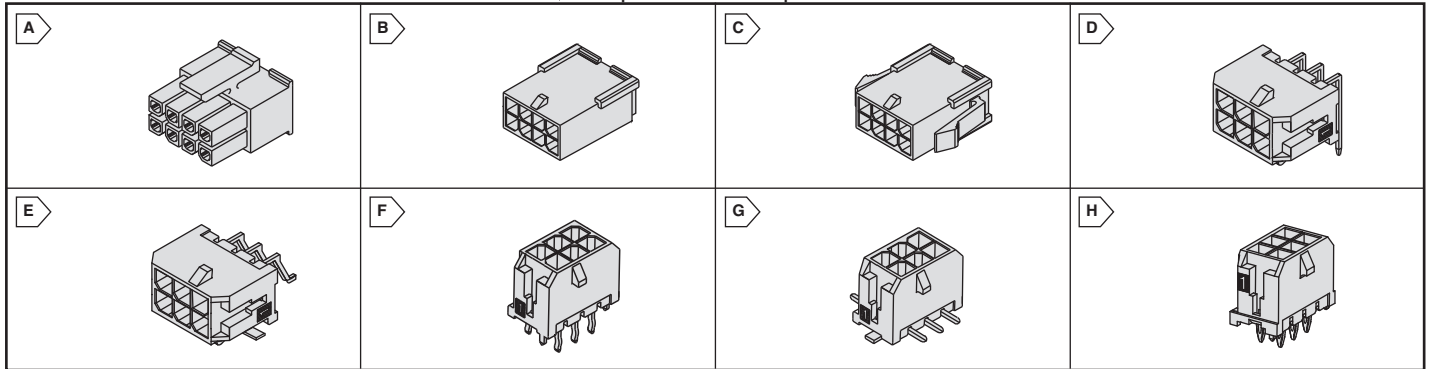


# MOLEX Micro-Fit 3.0™ Connectors

**molex**  
one company > a world of innovation

RoHS Compliant This product is RoHS compliant.



## DUAL ROW CONNECTORS



### Specifications:

- 3.00mm Pitch
- Fully isolated contacts
- Full polarization
- Positive locks
- Surface Mount Compatible
- Up to 5.0A per circuit
- 250V AC rating
- UL 94V-0, CSA TUV approved

For quantities of 500 and up, call for quote.

MOUSER STOCK NO.	Molex Part No.	Fig.	No. of Circuits	Plating	Price Each		
					1	10	100
<b>Crimp Housing Receptacles - use with 43030 terminals</b>							
538-43025-0200	43025-0200	A	2	-	.43	.35	.25
538-43025-0400	43025-0400	A	4	-	.49	.39	.33
538-43025-0600	43025-0600	A	6	-	.56	.42	.32
538-43025-0800	43025-0800	A	8	-	.59	.54	.44
538-43025-1000	43025-1000	A	10	-	.70	.54	.48
538-43025-1200	43025-1200	A	12	-	.79	.66	.54
538-43025-1400	43025-1400	A	14	-	.97	.88	.69
538-43025-1600	43025-1600	A	16	-	1.06	.94	.79
538-43025-1800	43025-1800	A	18	-	1.30	1.05	.88
538-43025-2000	43025-2000	A	20	-	1.17	1.08	.99
538-43025-2200	43025-2200	A	22	-	1.33	1.22	1.05
538-43025-2400	43025-2400	A	24	-	1.48	1.38	1.18
<b>Crimp Housing Plugs - Free Hanging - use with 43031 terminals</b>							
538-43020-0201	43020-0201	B	2	-	.31	.24	.21
538-43020-0401	43020-0401	B	4	-	.44	.41	.29
538-43020-0601	43020-0601	B	6	-	.55	.44	.34
538-43020-0801	43020-0801	B	8	-	.56	.53	.40
538-43020-1001	43020-1001	B	10	-	.78	.69	.46
538-43020-1201	43020-1201	B	12	-	.90	.78	.53
538-43020-1401	43020-1401	B	14	-	.98	.90	.61
538-43020-1601	43020-1601	B	16	-	1.22	1.10	.72
538-43020-1801	43020-1801	B	18	-	1.35	1.21	.82
538-43020-2001	43020-2001	B	20	-	1.55	1.35	.89
538-43020-2201	43020-2201	B	22	-	1.63	1.49	.98
538-43020-2401	43020-2401	B	24	-	1.81	1.62	1.03
<b>Crimp Housing Plugs - Panel Mount - use with 43031 terminals</b>							
538-430200200	43020-0200	C	2	-	.31	.27	.24
538-43020-0400	43020-0400	C	4	-	.36	.32	.28
538-43020-0600	43020-0600	C	6	-	.54	.48	.36
538-43020-0800	43020-0800	C	8	-	.54	.43	.39
538-43020-1000	43020-1000	C	10	-	.61	.54	.49
538-43020-1200	43020-1200	C	12	-	.75	.67	.61
538-43020-1400	43020-1400	C	14	-	1.13	1.02	.70
538-43020-1600	43020-1600	C	16	-	1.25	1.17	.80
538-43020-1800	43020-1800	C	18	-	1.40	1.24	.89
538-43020-2000	43020-2000	C	20	-	1.65	1.49	1.00
538-43020-2200	43020-2200	C	22	-	1.85	1.68	1.09
538-43020-2400	43020-2400	C	24	-	1.98	1.75	1.20
<b>Right Angle Headers - Snap-In-Peg Locks</b>							
538-43045-0200	43045-0200	D	2	Tin	.99	.81	.64
538-43045-0400	43045-0400	D	4	Tin	1.29	1.05	.85
538-43045-0600	43045-0600	D	6	Tin	1.66	1.45	1.10
538-43045-0800	43045-0800	D	8	Tin	1.38	1.25	1.14
538-43045-1000	43045-1000	D	10	Tin	1.72	1.62	1.48
538-43045-1200	43045-1200	D	12	Tin	2.01	1.87	1.53
538-43045-1400	43045-1400	D	14	Tin	2.26	2.10	1.86
538-43045-1600	43045-1600	D	16	Tin	3.89	3.24	2.25
538-43045-1800	43045-1800	D	18	Tin	4.34	4.00	2.58
538-43045-2000	43045-2000	D	20	Tin	4.62	4.02	2.99
538-43045-2200	43045-2200	D	22	Tin	5.30	4.72	3.29
538-43045-2400	43045-2400	D	24	Tin	5.90	5.31	3.55
538-43045-0202	43045-0202	D	2	30µ" Gold	1.22	1.11	.95
538-43045-0402	43045-0402	D	4	30µ" Gold	1.62	1.38	1.29
538-43045-0602	43045-0602	D	6	30µ" Gold	2.21	1.89	1.59
538-43045-0802	43045-0802	D	8	30µ" Gold	2.66	2.47	2.13
538-43045-1002	43045-1002	D	10	30µ" Gold	2.55	2.24	2.01
538-43045-1202	43045-1202	D	12	30µ" Gold	3.41	3.20	2.61
538-43045-1402	43045-1402	D	14	30µ" Gold	3.96	3.43	3.01
538-43045-1602	43045-1602	D	16	30µ" Gold	5.75	4.80	3.53
538-43045-1802	43045-1802	D	18	30µ" Gold	7.12	6.23	4.10
538-43045-2002	43045-2002	D	20	30µ" Gold	7.88	6.79	4.63
538-43045-2202	43045-2202	D	22	30µ" Gold	8.76	7.65	5.00
538-43045-2402	43045-2402	D	24	30µ" Gold	8.99	7.96	5.56

For quantities of 500 and up, call for quote.

MOUSER STOCK NO.	Molex Part No.	Fig.	No. of Circuits	Plating	Price Each		
					1	10	100
<b>Right Angle Headers - SMT - Solder Tabs</b>							
538-43045-0209	43045-0209	E	2	Tin	1.88	1.65	1.42
538-43045-0409	43045-0409	E	4	Tin	2.13	1.91	1.76
538-43045-0609	43045-0609	E	6	Tin	3.67	3.13	2.38
538-43045-0809	43045-0809	E	8	Tin	4.22	2.61	3.39
538-43045-1009	43045-1009	E	10	Tin	4.75	4.19	3.21
538-43045-1209	43045-1209	E	12	Tin	5.71	5.11	3.29
538-43045-0211	43045-0211	E	2	30µ" Gold	2.48	2.15	1.93
538-43045-0411	43045-0411	E	4	30µ" Gold	2.78	2.67	2.46
538-43045-0611	43045-0611	E	6	30µ" Gold	4.72	4.34	3.26
538-43045-0811	43045-0811	E	8	30µ" Gold	5.58	5.02	3.97
538-43045-1011	43045-1011	E	10	30µ" Gold	7.32	6.60	4.51
538-43045-1211	43045-1211	E	12	30µ" Gold	8.70	7.67	5.11
<b>Vertical Headers - Thru-hole - Offset Terminal Retention</b>							
538-430-45-0212	43045-0212	F	2	Tin	.87	.71	.51
538-43045-0412	43045-0412	F	4	Tin	1.05	.75	.56
538-43045-0612	43045-0612	F	6	Tin	1.44	1.11	.92
538-43045-0812	43045-0812	F	8	Tin	1.60	1.42	1.03
538-43045-1012	43045-1012	F	10	Tin	1.64	1.38	1.36
538-43045-1212	43045-1212	F	12	Tin	2.22	1.88	1.47
538-43045-1412	43045-1412	F	14	Tin	2.76	2.51	1.69
538-43045-1612	43045-1612	F	16	Tin	2.75	2.31	1.86
538-43045-1812	43045-1812	F	18	Tin	3.42	2.47	2.09
538-43045-2012	43045-2012	F	20	Tin	3.97	3.16	2.37
538-43045-2212	43045-2212	F	22	Tin	4.62	4.07	2.71
538-43045-2412	43045-2412	F	24	Tin	4.90	4.23	2.96
538-43045-0214	43045-0214	F	2	30µ" Gold	1.10	.93	.82
538-43045-0414	43045-0414	F	4	30µ" Gold	1.54	1.21	.96
538-43045-0614	43045-0614	F	6	30µ" Gold	1.78	1.59	1.40
538-43045-0814	43045-0814	F	8	30µ" Gold	2.20	1.86	1.65
538-43045-1014	43045-1014	F	10	30µ" Gold	3.38	3.05	2.10
538-43045-1214	43045-1214	F	12	30µ" Gold	3.70	3.20	2.41
538-43045-1414	43045-1414	F	14	30µ" Gold	3.88	3.07	2.66
538-43045-1614	43045-1614	F	16	30µ" Gold	4.64	4.27	3.11
538-43045-1814	43045-1814	F	18	30µ" Gold	5.12	4.26	3.50
538-43045-2014	43045-2014	F	20	30µ" Gold	5.95	5.05	4.32
538-43045-2214	43045-2214	F	22	30µ" Gold	5.25	4.72	3.98
538-43045-2414	43045-2414	F	24	30µ" Gold	6.69	6.02	4.67
<b>Vertical Headers - SMT - Solder Tabs</b>							
538-43045-0218	43045-0218	G	2	Tin	1.52	1.45	1.36
538-430-45-0418	43045-0418	G	4	Tin	2.51	2.39	1.36
538-430-45-0618	43045-0618	G	6	Tin	2.44	2.18	1.96
538-430-45-0818	43045-0818	G	8	Tin	3.21	2.24	2.06
538-43045-1018	43045-1018	G	10	Tin	3.27	2.96	2.66
538-430-45-1218	43045-1218	G	12	Tin	3.12	2.80	2.53
538-43045-0220	43045-0220	G	2	30µ" Gold	2.60	2.34	2.08
538-43045-0420	43045-0420	G	4	30µ" Gold	3.22	2.65	2.26
538-43045-0620	43045-0620	G	6	30µ" Gold	3.63	3.31	2.90
538-43045-0820	43045-0820	G	8	30µ" Gold	3.10	2.82	2.54
538-43045-1020	43045-1020	G	10	30µ" Gold	4.52	4.07	3.68
538-43045-1220	43045-1220	G	12	30µ" Gold	6.07	5.46	4.21
<b>MICRO-FIT CPI™ (COMPLIANT PIN INTERFACE)</b>							
For quantities of 500 and up, call for quote.							
MOUSER STOCK NO.	Molex Part No.	Fig.	No. of Circuits	Plating	Price Each		
					1	10	100
<b>Vertical Headers - Press-Fit - Solderless</b>							
538-44914-0201	44914-0201	H	2	Tin	1.46	1.34	1.21
538-44914-0401	44914-0401	H	4	Tin	1.98	1.82	1.63
538-44914-0601	44914-0601	H	6	Tin	2.51	2.31	2.08
538-44914-0801	44914-0801	H	8	Tin	3.08	2.83	2.55
538-44914-1001	44914-1001	H	10	Tin	3.59	3.31	2.98
538-44914-1201	44914-1201	H	12	Tin	4.14	3.81	3.43

