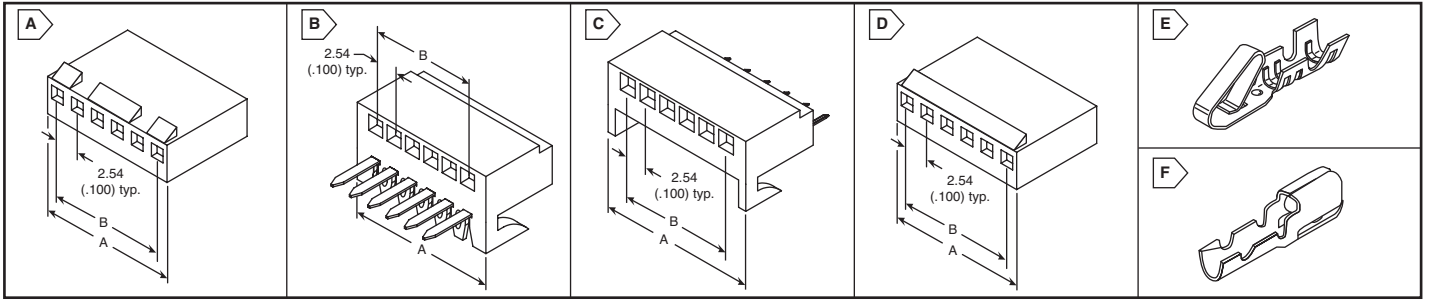


MOLEX KK® Series (.100")

molex
one company > a world of innovation

Products may be RoHS compliant. Check mouser.com for RoHS status.



.100" CRIMP TERMINAL HOUSINGS

- Housing: Nylon, UL94V-0
- Current: Phosphor Bronze-4.0A max; Brass-2.5A max.
- Voltage: 250V
- RoHS Compliant per Molex documentation

For quantities of 1000 and up, call for quote.

MOUSER STOCK NO.	Molex Part No.	Fig.	No. of Circuits	Dimensions: mm		Price Each			
				A	B	1	10	100	500
With Locking Ramp									
538-22-01-2027	22-01-2027	A	2	5.6	2.54	.13	.11	.07	.06
538-22-01-2037	22-01-2037	A	3	8.1	5.08	.19	.17	.11	.09
538-22-01-2047	22-01-2047	A	4	10.7	7.62	.21	.18	.12	.10
538-22-01-2057	22-01-2057	A	5	13.2	10.16	.32	.28	.18	.15
538-22-01-2067	22-01-2067	A	6	15.8	12.70	.38	.33	.22	.17
538-22-01-2077	22-01-2077	A	7	18.3	15.24	.45	.39	.26	.20
538-22-01-2087	22-01-2087	A	8	20.9	17.78	.51	.45	.30	.24
538-22-01-2097	22-01-2097	A	9	23.4	20.32	.56	.49	.33	.26
538-22-01-2107	22-01-2107	A	10	25.9	22.86	.62	.54	.36	.29
538-22-01-2117	22-01-2117	A	11	28.5	25.40	.67	.59	.39	.31
538-22-01-2127	22-01-2127	A	12	31.0	27.94	.72	.63	.42	.34
With Locking Ramp and Polarizing Ribs									
538-22-01-3027	22-01-3027	A	2	5.6	2.54	.15	.13	.08	.06
538-22-01-3037	22-01-3037	A	3	8.1	5.08	.22	.19	.12	.10
538-22-01-3047	22-01-3047	A	4	10.7	7.62	.29	.25	.17	.13
538-22-01-3057	22-01-3057	A	5	13.2	10.16	.31	.21	.172	.17
538-22-01-3067	22-01-3067	A	6	15.8	12.70	.44	.38	.25	.20
538-22-01-3077	22-01-3077	A	7	18.3	15.24	.51	.45	.30	.24
538-22-01-3087	22-01-3087	A	8	20.9	17.78	.58	.51	.34	.27
538-22-01-3097	22-01-3097	A	9	23.4	20.32	.63	.55	.37	.29
538-22-01-3107	22-01-3107	A	10	25.9	22.86	.70	.60	.40	.32
538-22-01-3117	22-01-3117	A	11	28.5	25.40	.75	.58	.44	.35
538-22-01-3127	22-01-3127	A	12	31.0	27.94	.84	.74	.49	.42

.100" PCB RECEPTACLES

- UL94V-0
- End-to-End stackable
- Contact: Brass
- Voltage: 250V
- Temperature: 0 to +75°C
- Current: 2.5A max.

For quantities of 1000 and up, call for quote.

Tin Plating - Bottom Entry									
MOUSER STOCK NO.	Molex Part No.	Fig.	No. of Circuits	A	B	1	10	100	500
538-22-14-2024	22-14-2024	B	2	4.98	2.54	.32	.27	.18	.14
538-22-14-2034	22-14-2034	B	3	7.52	5.08	.42	.37	.24	.19
538-22-14-2044	22-14-2044	B	4	10.06	7.62	.59	.52	.34	.27
538-22-14-2054	22-14-2054	B	5	12.60	10.16	.72	.63	.42	.37
538-22-14-2064	22-14-2064	B	6	15.14	12.70	.89	.78	.52	.42
538-22-14-2074	22-14-2074	B	7	17.68	15.24	.99	.87	.59	.48
538-22-14-2084	22-14-2084	B	8	20.22	17.78	1.02	.90	.60	.48
538-22-14-2094	22-14-2094	B	9	22.76	20.32	1.39	1.18	.78	.64
538-22-14-2104	22-14-2104	B	10	25.30	22.86	1.39	1.18	.78	.64
538-22-14-2124	22-14-2124	B	12	30.38	27.94	1.65	1.44	.98	.77
Tin Plating - Top Entry									
538-22-02-2025	22-02-2025	C	2	4.98	2.54	.24	.21	.15	.12
538-22-02-2035	22-02-2035	C	3	7.52	5.08	.39	.35	.23	.18
538-22-02-2045	22-02-2045	C	4	10.06	7.62	.49	.43	.28	.22
538-22-02-2055	22-02-2055	C	5	12.60	10.16	.63	.56	.39	.31
538-22-02-2065	22-02-2065	C	6	15.14	12.70	.73	.60	.43	.34
538-22-02-2075	22-02-2075	C	7	17.68	15.24	.85	.75	.52	.41
538-22-02-2085	22-02-2085	C	8	20.22	17.78	.99	.87	.61	.48
538-22-02-2095	22-02-2095	C	9	22.76	20.32	.99	.86	.70	.567
538-22-02-2105	22-02-2105	C	10	25.30	22.86	1.22	1.07	.71	.57
538-22-02-2125	22-02-2125	C	12	30.38	27.94	1.45	1.19	.85	.68
Gold Plating - Bottom Entry									
538-22-17-3022	22-17-3022	B	2	4.98	2.54	.39	.33	.23	.18
538-22-17-3032	22-17-3032	B	3	7.52	5.08	.58	.50	.34	.27
538-22-17-3042	22-17-3042	B	4	10.06	7.62	.78	.68	.46	.37
538-22-17-3052	22-17-3052	B	5	12.60	10.16	.96	.83	.57	.46
538-22-17-3072	22-17-3072	B	7	17.68	15.24	1.11	1.02	.68	.55
538-22-17-3082	22-17-3082	B	8	20.22	17.78	1.45	1.25	.90	.74
538-22-17-3092	22-17-3092	B	9	22.76	20.32	1.74	1.20	1.01	.83
Gold Plating - Top Entry									
538-22-18-2021	22-18-2021	C	2	4.98	2.54	.30	.24	.19	.15
538-22-18-2031	22-18-2031	C	3	7.52	5.08	.49	.43	.29	.23
538-22-18-2041	22-18-2041	C	4	10.06	7.62	.64	.55	.39	.31
538-22-18-2061	22-18-2061	C	6	15.14	12.70	.99	.88	.59	.47
538-22-18-2081	22-18-2081	C	8	20.22	17.78	1.29	1.15	.78	.62
538-22-18-2091	22-18-2091	C	9	22.76	20.32	1.49	1.32	.88	.70
538-22-18-2101	22-18-2101	C	10	25.30	22.86	1.65	1.45	.98	.78
538-22-18-2111	22-18-2111	C	11	27.84	25.40	1.61	1.56	1.08	.86
538-22-18-2121	22-18-2121	C	12	30.38	27.94	1.98	1.76	1.17	.94

.100" HIGH PRESSURE / VIBRATION TERMINAL HOUSINGS W/ LOCKING RAMP

- Housing: Red Nylon, UL 94-0
- Current: 2.5A
- RoHS Compliant per Molex documentation
- Voltage: 250V

For quantities of 1000 and up, call for quote.

MOUSER STOCK NO.	Molex Part No.	Fig.	No. of Circuits	Dimensions: mm		Price Each			
				A	B	1	10	100	500
538-10-11-2023	10-11-2023	D	2	5.64	2.54	.13	.09	.08	.06
538-10-11-2033	10-11-2033	D	3	8.18	5.08	.21	.17	.12	.09
538-10-11-2043	10-11-2043	D	4	10.72	7.62	.29	.25	.16	.13
538-10-11-2053	10-11-2053	D	5	13.26	10.16	.36	.31	.20	.16
538-10-11-2063	10-11-2063	D	6	15.80	12.70	.42	.37	.24	.19
538-10-11-2073	10-11-2073	D	7	18.34	15.24	.49	.43	.29	.23
538-10-11-2083	10-11-2083	D	8	20.88	17.78	.56	.49	.33	.26
538-10-11-2093	10-11-2093	D	9	23.42	20.32	.60	.54	.36	.29
538-10-11-2103	10-11-2103	D	10	25.96	22.86	.71	.62	.41	.33
538-10-11-2113	10-11-2113	D	11	28.50	25.40	.78	.68	.45	.36
538-10-11-2123	10-11-2123	D	12	31.04	27.94	.85	.74	.49	.39

.100" CRIMP TERMINALS

- Wire gauge: 22-30 AWG
- For use with Fig. A
- RoHS Compliant per Molex documentation

* Select Gold (Au) is gold only on the mating area

MOUSER STOCK NO.	Molex Part No.	Fig.	Contact	Plating	Price Each		
					1	100	500
538-08-50-0114	08-50-0114	E	Brass	Tin	.11	.09	.07
538-08-50-0110	08-50-0110	E	Brass	Gold	.83	.66	.55
538-08-55-0102	08-55-0102	E	Brass	* Select Gold	.24	.20	.17
538-08-52-0123	08-52-0123	E	Phos. Bronze	Tin	.07	.066	.053
538-08-65-0814	08-65-0814	E	Phos. Bronze	Gold	.86	.69	.57
538-08-65-0816	08-65-0816	E	Phos. Bronze	* Select Gold	.15	.14	.13

.100" HIGH PRESSURE CRIMP TERMINALS

- Wire gauge: 22-30 AWG
- High vibration applications.
- RoHS Compliant per Molex documentation
- For use with Fig. B

* Select Gold (Au) is gold only on the mating area

MOUSER STOCK NO.	Molex Part No.	Fig.	Contact	Plating	Price Each		
					1	100	500
538-08-50-0005	08-50-0005	F	Brass	Tin/Copper	.17	.14	.11
538-08-55-0129	08-55-0129	F	Brass	* Select Gold	.48	.36	.31

POLARIZING KEYS

- UL94V-2, Nylon
- Snap fit into housings
- RoHS Compliant per Molex documentation

For quantities of 1000 and up, call for quote.

MOUSER STOCK NO.	Molex Part No.	Description	Price Each		
			1	100	500
538-15-04-9209	15-04-9209	Key	.10	.06	.05

DESIGNER/SERVICE KIT

- Includes: connectors, crimp tool, extraction tool, & storage case

MOUSER STOCK NO.	Molex Part No.	Description	Price Each
538-KK-100	KK-100	.100", 82 connectors	30.30

TOOLS

For quantities of 5 and up, call for quote.

MOUSER STOCK NO.	Molex Part No.	Description	Price Each
538-63811-8200	63811-8200	Hand Crimp Tool	359.00
538-11-03-0022	11-03-0022	Extraction tool	6.77
538-63819-0800	63819-0800	Hand Crimp Tool	311.00
538-63812-0000	63812-0000	Insertion tool	13.40