

# JAE Surface Mount Board-to-Board Connectors

Technology to Inspire Innovation



RoHS Compliant This product is RoHS compliant.

## AA03 SERIES 0.4MM STACKING TYPE BOARD-TO-BOARD CONNECTORS

### Specifications:

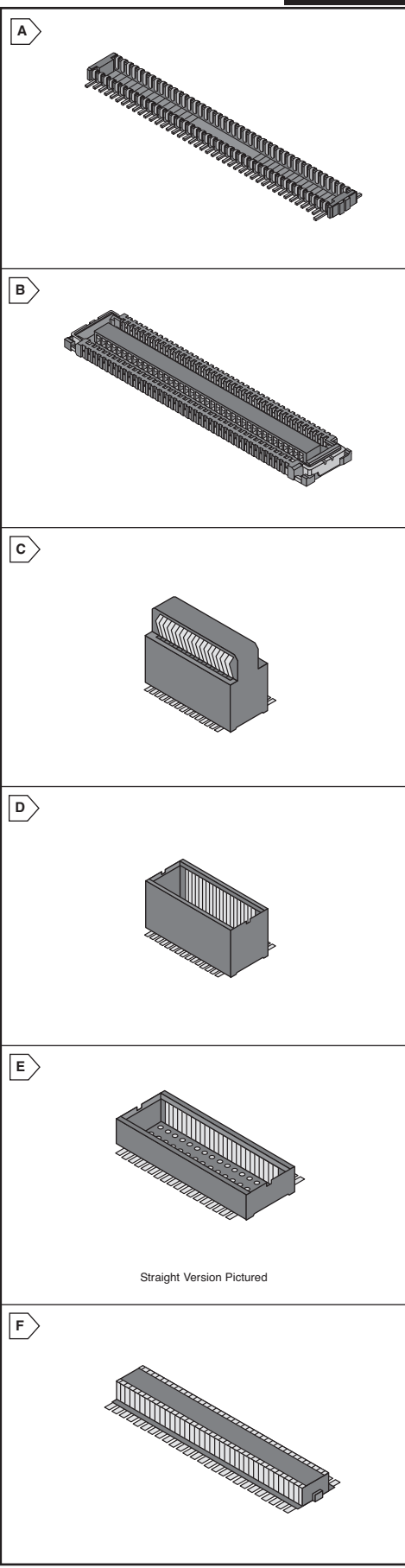
- Rated Current: 0.4A Per Position
- Rated Voltage: 50V AC/DC
- Stacking Height 1.0mm
- Ideal for Slim Low-Profiled High Density Mounting Requirements
- Drop Impact / Vibration Resistant
- Separate 2-point Contact Design to Resist Twisting Stress



RoHS Compliant

For quantities of 100 and up, call for quote.

MOUSER STOCK NO.	JAE Part No.	Fig.	No. of Pos.	Description	Price Each			
					1	10	25	50
656-AA03P020VA2	AA03-P020VA2	A	20	Plug	2.19	2.07	1.95	1.82
656-AA03P022VA2	AA03-P022VA2	A	22	Plug	2.26	2.13	2.02	1.88
656-AA03P024VA2	AA03-P024VA2	A	24	Plug	2.34	2.20	2.09	1.95
656-AA03P030VA2	AA03-P030VA2	A	30	Plug	2.57	2.42	2.29	2.14
656-AA03P036VA2	AA03-P036VA2	A	36	Plug	2.76	2.60	2.46	2.30
656-AA03P040VA2	AA03-P040VA2	A	40	Plug	4.99	4.71	4.45	4.16
656-AA03P050VA2	AA03-P050VA2	A	50	Plug	3.03	2.86	2.71	2.53
656-AA03P064VA2	AA03-P064VA2	A	64	Plug	3.28	3.10	2.93	2.74
656-AA03S020VA1	AA03-S020VA1	B	20	Receptacle	2.61	2.46	2.33	2.18
656-AA03S022VA1	AA03-S022VA1	B	22	Receptacle	2.67	2.52	2.39	2.23
656-AA03S024VA1	AA03-S024VA1	B	24	Receptacle	2.72	2.56	2.42	2.26
656-AA03S030VA1	AA03-S030VA1	B	30	Receptacle	3.09	2.92	2.76	2.58
656-AA03S036VA1	AA03-S036VA1	B	36	Receptacle	3.26	3.08	2.91	2.72
656-AA03S040VA1	AA03-S040VA1	B	40	Receptacle	3.41	3.22	3.05	2.84
656-AA03S050VA1	AA03-S050VA1	B	50	Receptacle	3.79	3.57	3.38	3.16
656-AA03S064VA1	AA03-S064VA1	B	64	Receptacle	4.06	3.83	3.63	3.39



JAE Rectangular Connectors

## WR SERIES 0.50MM LOW PROFILE SMT BOARD-TO-BOARD CONNECTORS

### Specifications:

- For connection between parallel boards spaced 4 to 9mm
- Ribbon type contacts ensure reliable electrical continuity, resisting twisting force of coupling
- RoHS Compliance per JAE documentation
- Current Rating: 0.3A
- Operating Temperature: -40° to +85°C



RoHS Compliant

\* With Polarizing Boss

For quantities of 100 and up, call for quote.

MOUSER STOCK NO.	JAE Part No.	Fig.	No. of Pos.	Description	Price Each			
					1	10	25	50
<b>Receptacles</b>								
656-WR-30S-VFH30-N1	WR-30S-VFH30-N1	C	30	7mm height	3.85	3.49	3.20	2.96
656-WR-40S-VFH30-N1	WR-40S-VFH30-N1	C	40	7mm height	4.98	4.07	2.90	2.81
656-WR-40S-VF-N1	WR-40S-VF-N1	C	40	4mm height	2.99	2.72	2.39	2.30
656-WR-80S-VF-N1	WR-80S-VF-N1	C	80	4mm height	7.24	6.59	6.00	5.57
*656-WR-80SB-VF-N1	WR-80SB-VF-N1	C	80	4mm height	7.15	4.68	4.35	4.16
656-WR-100S-VF-N1	WR-100S-VF-N1	C	100	4mm height	10.73	9.75	7.85	7.74
656-WR-120S-VF-N1	WR-120S-VF-N1	C	120	4mm height	6.65	5.83	4.52	4.35
*656-WR-120SB-VF-N1	WR-120SB-VF-N1	C	120	4mm height	9.08	7.96	6.17	5.97
*656-WR-160SB-VF-N1	WR-160SB-VF-N1	C	160	4mm height	10.25	9.32	7.52	7.35
<b>Plugs</b>								
656-WR-30P-VF50-N1	WR-30P-VF50-N1	D	30	5mm height	3.21	2.93	2.68	2.48
656-WR-40P-VF-N1	WR-40P-VF-N1	D	40	4mm height	3.46	2.62	2.40	2.29
656-WR-40P-HFHD-A1E	WR-40P-HF-HD-A1E	D	40	4mm height, right angle	5.15	4.04	3.63	3.46
656-WR-80P-VF-N1	WR-80P-VF-N1	D	80	4mm height	7.23	6.58	5.62	5.52
*656-WR-80PB-VF-N1	WR-80PB-VF-N1	D	80	3mm height	5.04	4.68	4.23	4.16
656-WR-100P-VF-N1	WR-100P-VF-N1	D	100	4mm height	7.75	6.39	5.57	5.45
656-WR-120P-VF-N1	WR-120P-VF-N1	D	120	4mm height	10.56	9.23	7.72	7.52
656-WR-120P-HF-HDA1E	WR-120P-HF-HD-A1E	D	120	4mm height, right angle	17.81	15.59	13.04	11.95
*656-WR-120PB-VF-N1	WR-120PB-VF-N1	D	120	3mm height	13.07	11.77	9.29	9.15
*656-WR-160PB-VF50-N1	WR-160PB-VF50-N1	D	160	5mm height	10.58	9.71	7.52	7.29

## IL-312 SERIES 0.50MM LOW PROFILE SMT BOARD-TO-BOARD CONNECTORS

### Specifications:

- For connection between parallel boards spaced 2.5 to 3.5mm
- Black heat resistant insulators
- Contacts: Copper Alloy
- Current Rating: 0.3A
- Operating Temperature: -40° to +85°C
- For use in applications that require boards to be stacked
- RoHS Compliance per JAE documentation



RoHS Compliant

\* Location Boss

For quantities of 100 and up, call for quote.

MOUSER STOCK NO.	JAE Part No.	Fig.	No. of Pos.	Description	Price Each			
					1	10	25	50
<b>Receptacles</b>								
656-IL-312-A20S-VFA1	IL-312-A20S-VF-A1	E	20	2.15mm height	2.56	2.33	1.68	1.63
656-IL-312-A40S-VFA1	IL-312-A40S-VF-A1	E	40	2.15mm height	2.21	1.95	1.36	1.30
656-IL-312-A50S-VFA1	IL-312-A50S-VF-A1	E	50	2.15mm height	3.52	3.20	2.93	2.79
656-IL-312-A80S-VFA1	IL-312-A80S-VF-A1	E	80	2.15mm height	5.45	4.95	4.35	4.19
656-IL-312-A100S-VFA1	IL-312-A100S-VF-A1	E	100	2.15mm height	7.18	6.51	5.57	5.42
*656-IL-312A100SBVFA1	IL-312-A100SB-VF-A1	E	100	2.15mm height	7.18	6.51	5.57	5.42
<b>Plugs</b>								
656-IL-312-A20P-VFA1	IL-312-A20P-VF-A1	F	20	1.55mm height	1.86	1.69	1.55	1.43
656-IL-312-A40P-VFA1	IL-312-A40P-VF-A1	F	40	1.55mm height	2.21	1.95	1.36	1.30
656-IL-312-A50P-VFA1	IL-312-A50P-VF-A1	F	50	1.55mm height	5.01	4.15	2.92	2.82
656-IL-312-A80P-VFA1	IL-312-A80P-VF-A1	F	80	1.55mm height	7.47	6.89	4.35	4.15
656-IL312A100PVFA1	IL312A100P-VF-A1	F	100	1.55mm height	7.18	6.51	5.57	5.42

Straight Version Pictured

