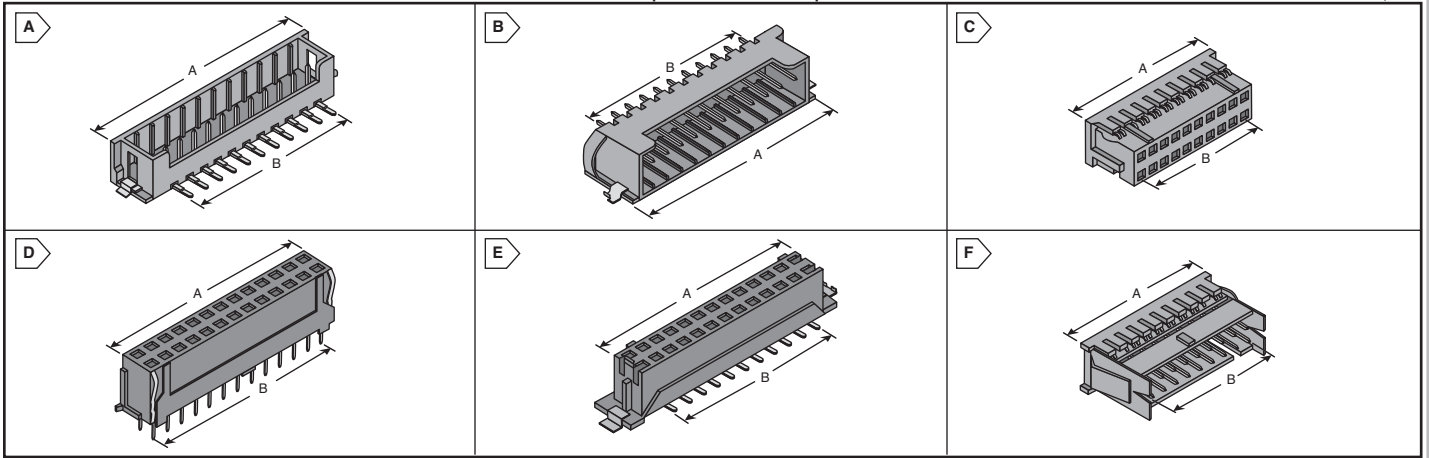


HIROSE 2.00mm Single and Double Row Connectors



HIROSE ELECTRIC CO., LTD.

RoHS Compliant This product is RoHS compliant.



DF3 SERIES SINGLE ROW CONNECTORS

Headers (Cont.)

For quantities of 200 and up, call for quote.

MOUSER STOCK NO.	Hirose Part No.	Fig.	No. of Circuits	Dimensions		Price Each		
				A	B	1	25	100
Vertical - Tin - SMT								
798-DF3DZ-14P-2V(21)	DF3DZ-14P-2V(21)	A	14	32.5	26	1.82	1.31	1.07
798-DF3DZ-15P-2V(21)	DF3DZ-15P-2V(21)	A	15	34.5	28	1.91	1.37	1.13
Vertical - Gold - SMT								
798-DF3DZ-2P-2V51	DF3DZ-2P-2V(51)	A	2	8.5	2	.83	.55	.495
798-DF3DZ-3P-2V51	DF3DZ-3P-2V(51)	A	3	10.5	4	.95	.68	.562
798-DF3DZ-4P-2V51	DF3DZ-4P-2V(51)	A	4	12.5	6	1.06	.77	.63
798-DF3DZ-5P-2V51	DF3DZ-5P-2V(51)	A	5	14.5	8	1.18	.77	.697
798-DF3DZ-6P-2V51	DF3DZ-6P-2V(51)	A	6	16.5	10	1.56	1.12	.922
798-DF3DZ-7P-2V51	DF3DZ-7P-2V(51)	A	7	18.5	12	1.41	1.01	.832
798-DF3DZ-8P-2V51	DF3DZ-8P-2V(51)	A	8	20.5	14	1.56	1.12	.922
798-DF3DZ-9P-2V51	DF3DZ-9P-2V(51)	A	9	22.5	16	1.75	1.15	1.03
798-DF3DZ-10P-2V51	DF3DZ-10P-2V(51)	A	10	24.5	18	1.79	1.29	1.05
798-DF3DZ-11P-2V51	DF3DZ-11P-2V(51)	A	11	26.5	20	1.66	1.27	1.02
798-DF3DZ-12P-2V51	DF3DZ-12P-2V(51)	A	12	28.5	22	1.82	1.40	1.12
798-DF3DZ-13P-2V51	DF3DZ-13P-2V(51)	A	13	30.5	24	2.13	1.63	1.31
798-DF3DZ-14P-2V51	DF3DZ-14P-2V(51)	A	14	32.5	26	2.26	1.74	1.39
798-DF3DZ-15P-2V51	DF3DZ-15P-2V(51)	A	15	34.5	28	2.12	1.46	1.30
Right Angle - Tin - SMT								
798-DF3DZ-2P-2H21	DF3DZ-2P-2H(21)	B	2	8.5	2	.80	.57	.472
798-DF3DZ-3P-2H21	DF3DZ-3P-2H(21)	B	3	10.5	4	.77	.57	.473
798-DF3DZ-4P-2H21	DF3DZ-4P-2H(21)	B	4	12.5	6	.91	.66	.54
798-DF3DZ-5P-2H21	DF3DZ-5P-2H(21)	B	5	14.5	8	1.03	.74	.607
798-DF3DZ-6P-2H21	DF3DZ-6P-2H(21)	B	6	16.5	10	1.10	.72	.652
798-DF3DZ-7P-2H21	DF3DZ-7P-2H(21)	B	7	18.5	12	1.18	.85	.697
798-DF3DZ-8P-2H21	DF3DZ-8P-2H(21)	B	8	20.5	14	1.25	.90	.742
798-DF3DZ-10P-2H21	DF3DZ-10P-2H(21)	B	10	24.5	18	1.41	.92	.832
798-DF3DZ-11P-2H21	DF3DZ-11P-2H(21)	B	11	26.5	20	1.48	.97	.877
798-DF3DZ-12P-2H21	DF3DZ-12P-2H(21)	B	12	28.5	22	1.56	1.12	.922
798-DF3DZ-13P-2H21	DF3DZ-13P-2H(21)	B	13	30.5	24	1.67	1.10	.99
798-DF3DZ-15P-2H21	DF3DZ-15P-2H(21)	B	15	34.5	28	1.79	1.29	1.05
Right Angle - Gold - SMT								
798-DF3DZ-2P-2H51	DF3DZ-2P-2H(51)	B	2	8.5	2	.91	.66	.54
798-DF3DZ-3P-2H51	DF3DZ-3P-2H(51)	B	3	10.5	4	1.10	.72	.652
798-DF3DZ-4P-2H51	DF3DZ-4P-2H(51)	B	4	12.5	6	1.18	.77	.697
798-DF3DZ-5P-2H51	DF3DZ-5P-2H(51)	B	5	14.5	8	1.41	1.01	.832
798-DF3DZ-6P-2H51	DF3DZ-6P-2H(51)	B	6	16.5	10	1.56	1.12	.922
798-DF3DZ-7P-2H51	DF3DZ-7P-2H(51)	B	7	18.5	12	1.63	1.18	.967
798-DF3DZ-8P-2H51	DF3DZ-8P-2H(51)	B	8	20.5	14	1.63	1.12	1.00
798-DF3DZ-9P-2H51	DF3DZ-9P-2H(51)	B	9	22.5	16	1.71	1.32	1.06
798-DF3DZ-10P-2H51	DF3DZ-10P-2H(51)	B	10	24.5	18	1.89	1.45	1.16
798-DF3DZ-11P-2H51	DF3DZ-11P-2H(51)	B	11	26.5	20	2.02	1.55	1.24
798-DF3DZ-12P-2H51	DF3DZ-12P-2H(51)	B	12	28.5	22	2.12	1.46	1.30
798-DF3DZ-13P-2H51	DF3DZ-13P-2H(51)	B	13	30.5	24	2.19	1.69	1.35
798-DF3DZ-14P-2H51	DF3DZ-14P-2H(51)	B	14	32.5	26	2.33	1.80	1.44
798-DF3DZ-15P-2H51	DF3DZ-15P-2H(51)	B	15	34.5	28	2.58	1.98	1.58

DF11 SERIES DOUBLE ROW CONNECTORS

Housings

For quantities of 200 and up, call for quote.

MOUSER STOCK NO.	Hirose Part No.	Fig.	No. of Circuits	Dimensions		Price Each		
				A	B	1	25	100
Crimp Receptacle Housings								
798-DF11-4DS-2C	DF11-4DS-2C	C	4	6	2	.28	.13	.102
798-DF11-6DS-2C	DF11-6DS-2C	C	6	8	4	.30	.14	.109
798-DF11-8DS-2C	DF11-8DS-2C	C	8	10	6	.36	.17	.129
798-DF11-10DS-2C	DF11-10DS-2C	C	10	12	8	.36	.17	.129
798-DF11-12DS-2C	DF11-12DS-2C	C	12	14	10	.39	.18	.139
798-DF11-14DS-2C	DF11-14DS-2C	C	14	16	12	.42	.19	.15
798-DF11-16DS-2C	DF11-16DS-2C	C	16	18	14	.44	.21	.159
798-DF11-18DS-2C	DF11-18DS-2C	C	18	20	16	.46	.22	.167
798-DF11-20DS-2C	DF11-20DS-2C	C	20	22	18	.48	.23	.174
798-DF11-22DS-2C	DF11-22DS-2C	C	22	24	20	.51	.24	.185
798-DF11-24DS-2C	DF11-24DS-2C	C	24	26	22	.54	.25	.195
798-DF11-26DS-2C	DF11-26DS-2C	C	26	28	24	.25	.21	.192
798-DF11-28DS-2C	DF11-28DS-2C	C	28	30	26	.44	.25	.206
798-DF11-30DS-2C	DF11-30DS-2C	C	30	32	28	.48	.27	.222
798-DF11-32DS-2C	DF11-32DS-2C	C	32	34	30	.53	.31	.248

Headers/Housings

For quantities of 200 and up, call for quote.

MOUSER STOCK NO.	Hirose Part No.	Fig.	No. of Circuits	Dim.		Price Each		
				A	B	1	25	100
PCB Receptacles - Vertical - Tin - Thru-Hole								
798-DF11-6DS-2DSA05	DF11-6DS-2DSA(05)	D	6	8	4	1.02	.73	.607
798-DF11-8DS-2DSA05	DF11-8DS-2DSA(05)	D	8	10	6	1.09	.79	.652
798-DF11-10DS-2DSA05	DF11-10DS-2DSA(05)	D	10	12	8	1.18	.85	.697
798-DF11-12DS-2DSA05	DF11-12DS-2DSA(05)	D	12	14	10	1.28	.92	.764
798-DF11-14DS-2DSA05	DF11-14DS-2DSA(05)	D	14	16	12	1.37	.99	.81
798-DF11-16DS-2DSA05	DF11-16DS-2DSA(05)	D	16	18	14	1.51	1.09	.899
798-DF11-18DS-2DSA05	DF11-18DS-2DSA(05)	D	18	20	16	1.60	1.15	.945
798-DF11-20DS-2DSA05	DF11-20DS-2DSA(05)	D	20	22	18	1.75	1.26	1.03
798-DF11-24DS-2DSA05	DF11-24DS-2DSA(05)	D	24	26	22	1.66	1.27	1.02
798-DF11-26DS-2DSA05	DF11-26DS-2DSA(05)	D	26	28	24	1.75	1.34	1.08
PCB Receptacles - Vertical - Gold - Thru-Hole								
798-DF11-6DS-2DSA06	DF11-6DS-2DSA(06)	D	6	8	4	1.60	1.15	.945
798-DF11-8DS-2DSA06	DF11-8DS-2DSA(06)	D	8	10	6	1.89	1.36	1.12
798-DF11-10DS-2DSA06	DF11-10DS-2DSA(06)	D	10	12	8	1.85	1.42	1.14
798-DF11-12DS-2DSA06	DF11-12DS-2DSA(06)	D	12	14	10	2.11	1.62	1.30
798-DF11-14DS-2DSA06	DF11-14DS-2DSA(06)	D	14	16	12	2.37	1.82	1.46
798-DF11-16DS-2DSA06	DF11-16DS-2DSA(06)	D	16	18	14	2.66	2.05	1.64
798-DF11-18DS-2DSA06	DF11-18DS-2DSA(06)	D	18	20	16	2.92	2.25	1.80
798-DF11-20DS-2DSA06	DF11-20DS-2DSA(06)	D	20	22	18	3.21	2.46	1.98
798-DF11-24DS-2DSA06	DF11-24DS-2DSA(06)	D	24	26	22	3.30	2.56	2.04
798-DF11-26DS-2DSA06	DF11-26DS-2DSA(06)	D	26	28	24	3.53	2.74	2.19
PCB Receptacles - Vertical - Tin - SMT								
798-DF11Z-4DS-2V20	DF11Z-4DS-2V(20)	E	4	8.5	2	1.06	.76	.629
798-DF11Z-6DS-2V20	DF11Z-6DS-2V(20)	E	6	10.5	4	1.17	.85	.697
798-DF11Z-8DS-2V20	DF11Z-8DS-2V(20)	E	8	12.5	6	1.25	.90	.742
798-DF11Z-10DS-2V20	DF11Z-10DS-2V(20)	E	10	14.5	8	1.40	1.01	.832
798-DF11Z-12DS-2V20	DF11Z-12DS-2V(20)	E	12	16.5	10	1.55	1.12	.922
798-DF11Z-14DS-2V20	DF11Z-14DS-2V(20)	E	14	18.5	12	1.67	1.20	.99
798-DF11Z-16DS-2V20	DF11Z-16DS-2V(20)	E	16	20.5	14	1.86	1.33	1.09
798-DF11Z-18DS-2V20	DF11Z-18DS-2V(20)	E	18	22.5	16	2.00	1.45	1.19
798-DF11Z-20DS-2V20	DF11Z-20DS-2V(20)	E	20	24.5	18	1.82	1.40	1.12
798-DF11Z-22DS-2V20	DF11Z-22DS-2V(20)	E	22	26.5	20	2.01	1.54	1.24
798-DF11Z-24DS-2V20	DF11Z-24DS-2V(20)	E	24	28.5	22	2.11	1.61	1.30
798-DF11Z-26DS-2V20	DF11Z-26DS-2V(20)	E	26	30.5	24	2.30	1.76	1.42
798-DF11Z-28DS-2V20	DF11Z-28DS-2V(20)	E	28	32.5	26	2.40	1.85	1.48
798-DF11Z-30DS-2V20	DF11Z-30DS-2V(20)	E	30	34.5	28	2.53	1.95	1.56
798-DF11Z-40DS-2V20	DF11Z-40DS-2V(20)	E	40	44.5	38	3.27	2.51	2.02
PCB Receptacles - Vertical - Gold - SMT								
798-DF11Z-4DS-2V50	DF11Z-4DS-2V(50)	E	4	8.5	2	1.63	1.17	.966
798-DF11Z-6DS-2V50	DF11Z-6DS-2V(50)	E	6	10.5	4	1.90	1.37	1.11
798-DF11Z-8DS-2V50	DF11Z-8DS-2V(50)	E	8	12.5	6	1.92	1.47	1.18
798-DF11Z-10DS-2V50	DF11Z-10DS-2V(50)	E	10	14.5	8	2.15	1.65	1.32
798-DF11Z-12DS-2V50	DF11Z-12DS-2V(50)	E	12	16.5	10	2.44	1.87	1.50
798-DF11Z-14DS-2V50	DF11Z-14DS-2V(50)	E	14	18.5	12	2.66	2.05	1.64
798-DF11Z-16DS-2V50	DF11Z-16DS-2V(50)	E	16	20.5	14	2.95	2.27	1.82
798-DF11Z-18DS-2V50	DF11Z-18DS-2V(50)	E	18	22.5	16	3.25	2.50	2.00
798-DF11Z-20DS-2V50	DF11Z-20DS-2V(50)	E	20	24.5	18	3.48	2.66	2.13
798-DF11Z-22DS-2V50	DF11Z-22DS-2V(50)	E	22	26.5	20	3.41	2.65	2.11
798-DF11Z-24DS-2V50	DF11							