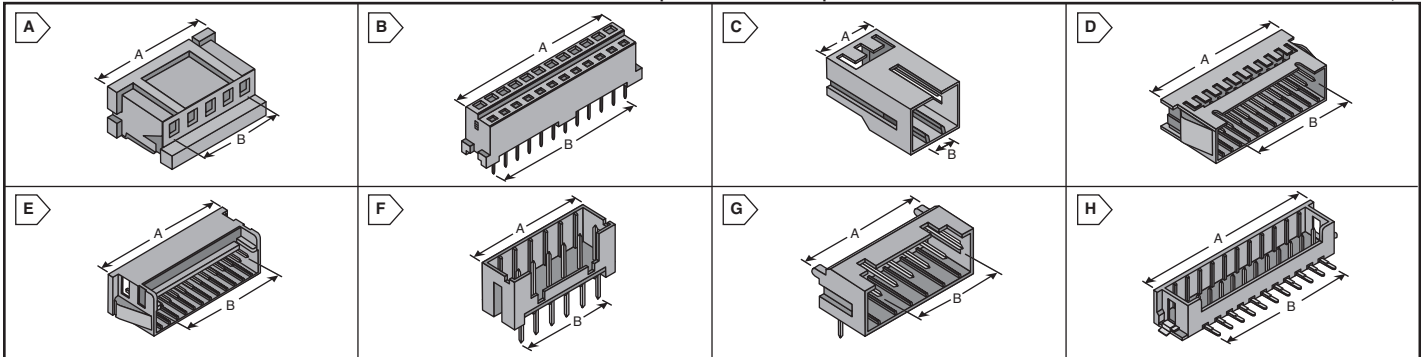


HIROSE 2.00mm Single and Double Row Connectors



HIROSE ELECTRIC CO., LTD.

RoHS Compliant This product is RoHS compliant.



DF3 SERIES SINGLE ROW CONNECTORS

Housings

For quantities of 200 and up, call for quote.

MOUSER STOCK NO.	Hirose Part No.	Fig.	No. of Circuits	Dimensions		Price Each		
				A	B	1	25	100
Crimp Receptacle Housings								
798-DF3-2S-2C	DF3-2S-2C	A	2	6	2	.24	.10	.062
798-DF3-3S-2C	DF3-3S-2C	A	3	8	4	.26	.11	.068
798-DF3-4S-2C	DF3-4S-2C	A	4	10	6	.28	.11	.071
798-DF3-5S-2C	DF3-5S-2C	A	5	12	8	.29	.12	.088
798-DF3-6S-2C	DF3-6S-2C	A	6	14	10	.31	.13	.093
798-DF3-7S-2C	DF3-7S-2C	A	7	16	12	.33	.14	.101
798-DF3-8S-2C	DF3-8S-2C	A	8	18	14	.28	.13	.10
798-DF3-9S-2C	DF3-9S-2C	A	9	20	16	.30	.14	.107
798-DF3-10S-2C	DF3-10S-2C	A	10	22	18	.32	.15	.112
798-DF3-12S-2C	DF3-12S-2C	A	12	26	22	.34	.15	.121
798-DF3-14S-2C	DF3-14S-2C	A	14	30	26	.37	.17	.132
798-DF3-15S-2C	DF3-15S-2C	A	15	32	28	.38	.18	.135

PCB Receptacles - Vertical - Tin - Thru-Hole

MOUSER STOCK NO.	Hirose Part No.	Fig.	No. of Circuits	Dimensions		Price Each		
				A	B	1	25	100
798-DF3-2S-2DSA25	DF3-2S-2DSA(25)	B	2	6	2	.79	.52	.472
798-DF3-3S-2DSA25	DF3-3S-2DSA(25)	B	3	8	4	.94	.61	.561
798-DF3-4S-2DSA25	DF3-4S-2DSA(25)	B	4	10	6	1.06	.70	.63
798-DF3-5S-2DSA25	DF3-5S-2DSA(25)	B	5	12	8	1.21	.79	.719
798-DF3-6S-2DSA25	DF3-6S-2DSA(25)	B	6	14	10	1.29	.84	.762
798-DF3-7S-2DSA25	DF3-7S-2DSA(25)	B	7	16	12	1.40	.92	.83
798-DF3-8S-2DSA25	DF3-8S-2DSA(25)	B	8	18	14	1.52	.99	.897
798-DF3-10S-2DSA25	DF3-10S-2DSA(25)	B	10	22	18	1.90	1.25	1.11

PCB Receptacles - Vertical - Gold - Thru-Hole

MOUSER STOCK NO.	Hirose Part No.	Fig.	No. of Circuits	Dimensions		Price Each		
				A	B	1	25	100
798-DF3-2S-2DSA55	DF3-2S-2DSA(55)	B	2	6	2	.94	.61	.561
798-DF3-3S-2DSA55	DF3-3S-2DSA(55)	B	3	8	4	1.21	.79	.719
798-DF3-4S-2DSA55	DF3-4S-2DSA(55)	B	4	10	6	1.36	.89	.807
798-DF3-5S-2DSA55	DF3-5S-2DSA(55)	B	5	12	8	1.59	1.04	.942
798-DF3-6S-2DSA55	DF3-6S-2DSA(55)	B	6	14	10	1.82	1.20	1.08
798-DF3-7S-2DSA55	DF3-7S-2DSA(55)	B	7	16	12	1.76	1.20	1.08
798-DF3-8S-2DSA55	DF3-8S-2DSA(55)	B	8	18	14	1.92	1.32	1.18
798-DF3-10S-2DSA55	DF3-10S-2DSA(55)	B	10	22	18	2.30	1.59	1.41

Crimp Plug Housings

MOUSER STOCK NO.	Hirose Part No.	Fig.	No. of Circuits	Dimensions		Price Each		
				A	B	1	25	100
798-DF3-2EP-2C	DF3-2EP-2C	C	2	6	2	.39	.18	.14
798-DF3-3EP-2C	DF3-3EP-2C	C	3	8	4	.45	.21	.16
798-DF3-4EP-2C	DF3-4EP-2C	C	4	10	6	.49	.23	.175
798-DF3-5EP-2C	DF3-5EP-2C	C	5	12	8	.53	.25	.19
798-DF3-6EP-2C	DF3-6EP-2C	C	6	14	10	.41	.24	.192
798-DF3-7EP-2C	DF3-7EP-2C	C	7	16	12	.47	.27	.218
798-DF3-8EP-2C	DF3-8EP-2C	C	8	18	14	.50	.30	.235

Crimp Plug Housings - Panel Locks

MOUSER STOCK NO.	Hirose Part No.	Fig.	No. of Circuits	Dimensions		Price Each		
				A	B	1	25	100
798-DF3AA-2EP-2C	DF3AA-2EP-2C	D	2	11	2	.47	.22	.167
798-DF3AA-3EP-2C	DF3AA-3EP-2C	D	3	13	4	.53	.25	.19
798-DF3AA-4EP-2C	DF3AA-4EP-2C	D	4	15	6	.41	.24	.192
798-DF3AA-5EP-2C	DF3AA-5EP-2C	D	5	17	8	.46	.27	.213
798-DF3AA-6EP-2C	DF3AA-6EP-2C	D	6	19	10	.49	.29	.23
798-DF3AA-7EP-2C	DF3AA-7EP-2C	D	7	21	12	.53	.31	.246
798-DF3AA-8EP-2C	DF3AA-8EP-2C	D	8	23	14	.56	.33	.263
798-DF3AA-9EP-2C	DF3AA-9EP-2C	D	9	25	16	.60	.36	.282
798-DF3AA-10EP-2C	DF3AA-10EP-2C	D	10	27	18	.64	.38	.298
798-DF3AA-11EP-2C	DF3AA-11EP-2C	D	11	29	20	.68	.40	.317
798-DF3AA-12EP-2C	DF3AA-12EP-2C	D	12	31	22	.71	.42	.333
798-DF3AA-13EP-2C	DF3AA-13EP-2C	D	13	33	24	.57	.41	.337
798-DF3AA-14EP-2C	DF3AA-14EP-2C	D	14	35	26	.60	.43	.353
798-DF3AA-15EP-2C	DF3AA-15EP-2C	D	15	37	28	.63	.45	.371

Adapters - Male-Male - Panel Locks

MOUSER STOCK NO.	Hirose Part No.	Fig.	No. of Circuits	Dimensions		Price Each		
				A	B	1	25	100
798-DF3-2EP-2A	DF3-2EP-2A	E	2	11	2	.71	.51	.418
798-DF3-3EP-2A	DF3-3EP-2A	E	3	13	4	.79	.56	.465
798-DF3-4EP-2A	DF3-4EP-2A	E	4	15	6	.87	.62	.515
798-DF3-5EP-2A	DF3-5EP-2A	E	5	17	8	.95	.69	.564
798-DF3-6EP-2A	DF3-6EP-2A	E	6	19	10	1.05	.76	.623
798-DF3-7EP-2A	DF3-7EP-2A	E	7	21	12	1.14	.82	.672
798-DF3-8EP-2A	DF3-8EP-2A	E	8	23	14	1.21	.87	.717
798-DF3-9EP-2A	DF3-9EP-2A	E	9	25	16	1.30	.93	.767
798-DF3-10EP-2A	DF3-10EP-2A	E	10	27	18	1.38	1.00	.819
798-DF3-11EP-2A	DF3-11EP-2A	E	11	29	20	1.47	1.06	.868
798-DF3-12EP-2A	DF3-12EP-2A	E	12	31	22	1.56	1.12	.922
798-DF3-13EP-2A	DF3-13EP-2A	E	13	33	24	1.65	1.19	.974
798-DF3-14EP-2A	DF3-14EP-2A	E	14	35	26	1.73	1.24	1.02
798-DF3-15EP-2A	DF3-15EP-2A	E	15	37	28	1.81	1.30	1.07

© Copyright 2009 Mouser Electronics



© Copyright 2009 Mouser Electronics