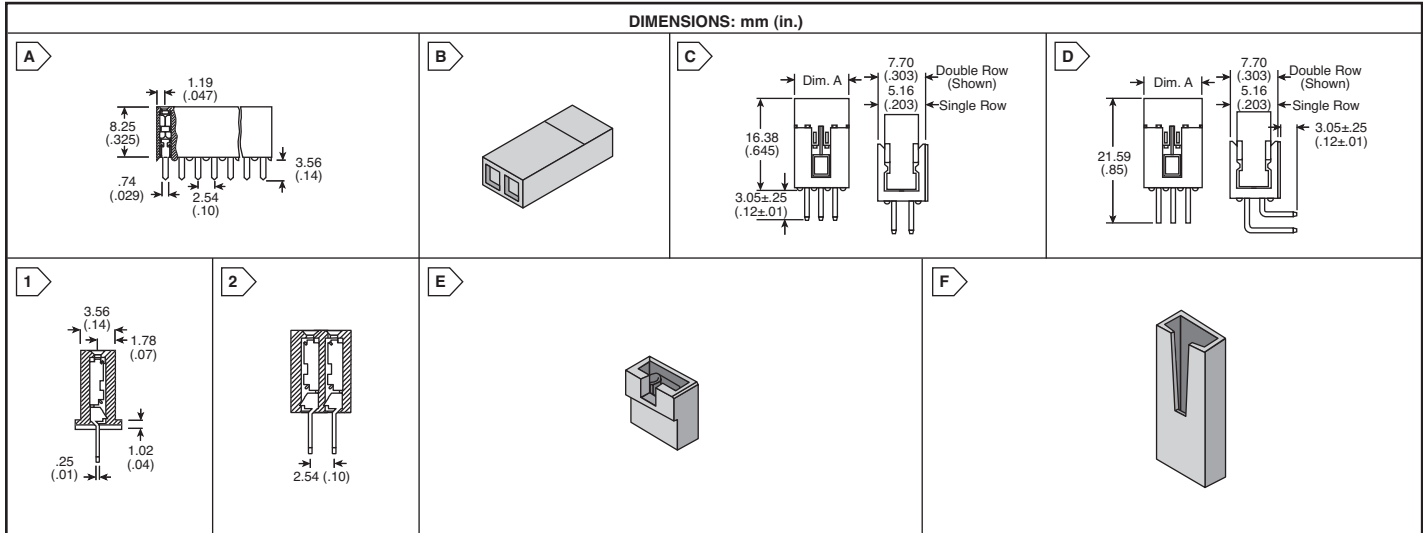


# FCI .100" Connectors and Shunts



RoHS Compliant This product is RoHS compliant.



Rectangular Connectors

## .100" VERTICAL PCB MOUNTED RECEPTACLE ASSEMBLIES, THRU-MOUNT

- Features:**
- Designed for parallel board-to-board stacking on .100" x .100" (2.54mm x 2.54mm) centerlines
  - Dual metal PV brass contacts duplex plated with 30µm gold in contact area, 100µm tin in solder area, and 50µm nickel underplated overall
  - Beryllium copper thermoplastic polyester housings, rated UL 94V-0
  - Spring member plated with gold flash
  - Mate with .025" (0.64mm) square or round pins
  - Tail Material: Tin
  - RoHS compliant per FCI documentation



For quantities of 500 and up, call for quote.

MOUSER STOCK NO.	FCI Part No.	Fig.	No. of Pos.	Length mm (in.)	Price Each			
					1	25	50	100
<b>Single Row .140" (3.56mm) Long Solder Tail</b>								
649-66951-006LF	66951-006LF	A1	6	15.24 (0.60)	1.46	1.32	1.26	1.19
649-66951-008LF	66951-008LF	A1	8	20.32 (0.80)	1.56	1.41	1.35	1.23
649-66951-010LF	66951-010LF	A1	10	22.86 (1.00)	1.39	1.26	1.20	1.08
649-66951-012LF	66951-012LF	A1	12	30.48 (1.20)	2.73	2.41	2.36	2.14
649-66951-014LF	66951-014LF	A1	14	35.56 (1.40)	2.36	2.08	2.04	1.82
649-66951-016LF	66951-016LF	A1	16	40.64 (1.60)	2.97	2.56	2.37	2.29
<b>Double Row .140" (3.56mm) Long Solder Tail</b>								
649-66953-004LF	66953-004LF	A2	8	10.16 (.400)	2.81	2.56	2.43	2.30
649-66953-005LF	66953-005LF	A2	10	12.70 (.500)	1.79	1.62	1.54	1.42
649-66953-006LF	66953-006LF	A2	12	15.24 (0.60)	2.80	2.54	2.41	2.19
649-66953-007LF	66953-007LF	A2	14	17.78 (0.70)	2.48	2.19	2.10	1.94
649-66953-008LF	66953-008LF	A2	16	20.32 (0.80)	1.78	1.57	1.46	1.37
649-66953-010LF	66953-010LF	A2	20	25.40 (1.00)	2.66	2.29	2.18	1.99
649-66953-014LF	66953-014LF	A2	28	35.56 (1.40)	3.49	2.85	2.70	2.58
649-66953-015LF	66953-015LF	A2	30	38.10 (1.50)	3.69	3.01	2.85	2.73
649-66953-017LF	66953-017LF	A2	34	43.18 (1.70)	4.84	3.95	3.74	3.58
649-66953-020LF	66953-020LF	A2	40	50.80 (2.00)	5.63	4.47	4.36	4.09
649-66953-025LF	66953-025LF	A2	50	63.50 (2.50)	5.50	4.32	4.00	3.87
649-66953-030LF	66953-030LF	A2	60	76.20 (3.00)	4.97	3.91	3.84	3.50

## SYSTEM MINI JUMP SHUNTS

- Features:**
- 1 Row: 2 Positions
  - Reliable cost-effective alternatives to switches for on-board programming
  - PV contacts have beryllium-copper springs to provide high retention and normal forces for excellent electrical performance after repeated cycle
  - Stackable on 2.54mm (0.100") centers
  - Closed top protects fingertips during application, but can be opened for inspection and testing
  - Mates with .025" (0.64mm) square or round pins

- Specifications:**
- Housing: Thermoplastic polyester UL94V-0, Blue
  - Contact: Body Material: Brass Spring Material: Beryllium-copper
  - Current rating: 3 A max per contact
  - Temperature rating: -55°C to +120°C
  - RoHS compliant per FCI documentation



For quantities of 2000 and up, call for quote.

MOUSER STOCK NO.	FCI Part No.	Fig.	Plating	Price Each			
				1	100	500	1000
649-65474-001LF	65474-001LF	B	15µm gold	.29	.24	.20	.19
649-65474-002LF	65474-002LF	B	100µm pure tin	.15	.12	.09	.08
649-65474-010LF	65474-010LF	B	30µm gold	.20	.19	.15	.14
649-65474-004LF	65474-004LF	B	Gold flash	.36	.33	.31	.29



## VERTICAL LATCHING SYSTEM (2.54MM X 2.54MM / .100" X .100") CENTERLINES

- Features:**
- Mates to Mini-PV™ receptacles and drawn-wire pins for high reliability
  - Single and double row configurations occupy minimal real estate
  - RoHS compliant per FCI documentation
  - Passive latching
  - 0.025" (0.64mm) square pins

- Specifications:**
- Material: PCT (UL 94 V-0)
  - Plating: 0.76µm (30µm) gold over 1.27µm (50µm) nickel
  - Color: Black



For quantities of 500 and up, call for quote.

MOUSER STOCK NO.	FCI Part No.	Fig.	No. of Pos.	Dimension A mm (in.)	Price Each			
					1	25	50	100
<b>Straight Header: Single Row</b>								
649-69167-103HLF	69167-103HLF	C	3	7.62 (0.30)	.34	.31	.29	.28
649-69167-104HLF	69167-104HLF	C	4	10.16 (0.40)	.45	.41	.39	.37
649-69167-105HLF	69167-105HLF	C	5	12.70 (0.50)	.56	.51	.48	.46
649-69167-106HLF	69167-106HLF	C	6	15.24 (0.60)	.62	.56	.53	.51
649-69167-107HLF	69167-107HLF	C	7	17.78 (0.70)	.75	.68	.65	.61
649-69167-108HLF	69167-108HLF	C	8	20.32 (0.80)	.80	.73	.69	.65
649-69167-115HLF	69167-115HLF	C	15	38.10 (1.50)	1.25	1.13	1.06	1.01
<b>Straight Header: Double Row</b>								
649-69168-110HLF	69168-110HLF	C	10	12.70 (0.50)	1.07	.97	.93	.85
649-69168-112HLF	69168-112HLF	C	12	15.24 (0.60)	.94	.86	.81	.77
<b>Right Angle: Single Row</b>								
649-78208-103HLF	78208-103HLF	D	3	7.62 (0.30)	.34	.31	.29	.28
649-78208-104HLF	78208-104HLF	D	4	10.16 (0.40)	.47	.43	.41	.39
649-78208-105HLF	78208-105HLF	D	5	12.70 (0.50)	.59	.53	.51	.48
649-78208-106HLF	78208-106HLF	D	6	15.24 (0.60)	.67	.61	.58	.55
<b>Right Angle: Double Row</b>								
649-78207-108HLF	78207-108HLF	D	8	10.16 (0.40)	.90	.82	.77	.73
649-78207-110HLF	78207-110HLF	D	10	12.70 (0.50)	.64	.59	.56	.53
649-78207-112HLF	78207-112HLF	D	12	15.24 (0.60)	.99	.89	.83	.78
649-78207-116HLF	78207-116HLF	D	16	20.32 (0.80)	1.32	1.19	1.08	1.03

## LOW-PROFILE SHUNT JUMPER SYSTEM

- Features:**
- Economical, stackable jumper systems are applicable for bussing, programming and switch replacement.
  - Standard two-position for .100" centers.
  - Low-profile shunt stands .200" above PC board.
  - Dual-beam, phosphor-bronze contacts, and black glass-filled thermoplastic polyester housing, rated UL94V-0.
  - Shunts mate with .025" (0.64mm) square and round pins.
  - RoHS compliant per FCI documentation



For quantities of 2000 and up, call for quote.

MOUSER STOCK NO.	FCI Part No.	Fig.	Plating	Price Each			
				1	100	500	1000
<b>Low Profile</b>							
649-68786-102LF	68786-102LF	E	15µm gold	.13	.12	.11	.10
649-68786-202LF	68786-202LF	E	30µm gold	.13	.09	.07	.06
649-68786-302LF	68786-302LF	E	100µm pure tin	.13	.09	.07	.06
<b>High Body</b>							
649-71363-102LF	71363-102LF	F	15µm gold	.14	.10	.08	.07
649-71363-202LF	71363-202LF	F	30µm gold	.14	.13	.12	.11
649-71363-302LF	71363-302LF	F	100µm pure tin	.14	.13	.12	.11