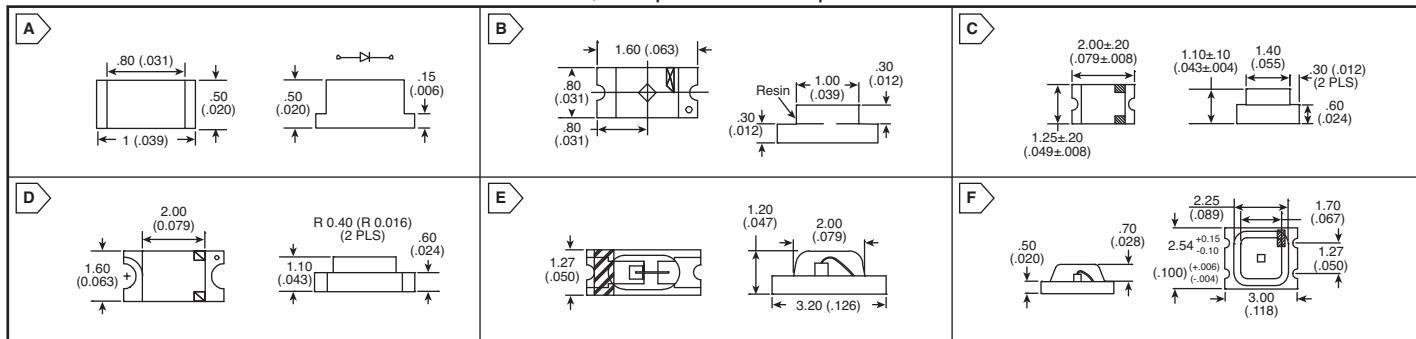


LUMEX SMD LEDs



RoHS Compliant This product is RoHS compliant.



LUMEX SURFACE MOUNT LEDS



DIMENSIONS: mm (in.)

For quantities of 2000 and up, call for quote.

MOUSER STOCK NO.	Lumex Part No.	Fig.	Color		Peak Wavelength (nm)	IQ mcd	Vf (V) Typ.	If (mA) Max.	Viewing Angle	Price Each			
			LED	Lens						1	100	500	1000
0402 High Bright													
696-SML-LX0402SICTR	SML-LX0402SIC-TR	A	Red	Water Clear	636	140	2	20	120°	.40	.34	.29	.23
696-SML-LX0402SOCTR	SML-LX0402SOC-TR	A	Orange	Water Clear	610	120	2	20	120°	.37	.31	.27	.21
696-SML-LX0402SUGCTR	SML-LX0402SUG-TR	A	Green	Water Clear	574	45	2.2	20	120°	.81	.61	.51	.49
696-SML-LX0402UPGCTR	SML-LX0402UPGC-TR	A	Pure Green	Water Clear	525	110	3.5	20	120°	2.65	2.32	1.98	1.67
696-SML-0402USBCTR	SML-LX0402USBC-TR	A	Blue	Water Clear	470	20	3.5	20	120°	1.28	.96	.81	.70
0603													
696-SML-LX0603SRW	SML-LX0603SRW-TR	B	Super Red	White Diffused	660	45	1.8	30	140°	.16	.11	.095	.09
696-SML-LX0603SIW	SML-LX0603SIW-TR	B	Super Intensity Red	White Diffused	636	60	2	30	140°	.44	.38	.33	.27
696-SML-LX0603IW	SML-LX0603IW-TR	B	Red	White Diffused	635	14	2	30	160°	.17	.11	.09	.085
696-SML-LX0603SOW	SML-LX0603SOW-TR	B	Super Orange	White Diffused	610	60	2	30	140°	.44	.38	.33	.27
696-SML-LX0603SYW	SML-LX0603SYW-TR	B	Super Yellow	White Diffused	590	60	2	30	140°	.56	.49	.42	.35
696-SML-LX0603YW	SML-LX0603YW-TR	B	Yellow	White Diffused	585	14	2.1	30	160°	.17	.10	.092	.085
696-SML-LX0603SUGW	SML-LX0603SUGW-TR	B	Super Ultra Green	White Diffused	574	45	2.2	25	140°	.60	.52	.45	.37
696-SML-LX0603GW	SML-LX0603GW-TR	B	Green	White Diffused	565	18	2.2	25	160°	.14	.10	.083	.082
696-SML-LX0603UWDTR	SML-LX0603UWD-TR	B	White	White Diffused	- - -	160	3.5	20	140°	1.02	.72	.65	.60
0805													
696-SML-LXT0805SRW	SML-LXT0805SRW-TR	C	Super Red	White Diffused	660	21	1.8	30	140°	.24	.21	.18	.15
696-SML-LX0805SIC	SML-LX0805SIC-TR	C	Super Red	Water Clear	636	60	2	30	140°	.32	.28	.24	.20
696-SML-LXT0805IW	SML-LXT0805IW-TR	C	Red	White Diffused	635	11	2	30	140°	.20	.17	.15	.12
696-SML-LXR85IC	SML-LXR85IC-TR	C	Red	Water Clear	635	12	2	25	130°	.24	.21	.18	.15
696-SML-LX0805SOC	SML-LX0805SOC-TR	C	Super Orange	Water Clear	610	60	2	30	140°	.36	.32	.24	.20
696-SML-LXR85SOC	SML-LXR85SOC-TR	C	Orange	Water Clear	610	75	2	30	160°	.52	.45	.39	.32
696-SML-LXR85SYC	SML-LXR85SYC-TR	C	Yellow	Water Clear	595	50	2	25	130°	.72	.63	.54	.45
696-SML-LXT0805YW	SML-LXT0805YW-TR	C	Yellow	White Diffused	585	10	2.1	30	140°	.14	.095	.087	.082
696-SML-LXR85SUGC	SML-LXR85SUGC-TR	C	Green	Water Clear	574	45	2.2	25	180°	.72	.63	.54	.45
696-SML-LXT0805GW	SML-LXT0805GW-TR	C	Green	White Diffused	565	11	2	30	140°	.14	.10	.083	.075
696-SML-LXT0805SUGW	SML-LXT0805SUGW-TR	C	Green	Water Clear	565	200	2.2	30	30°	1.41	1.17	.94	.79
696-SML-LXR85UPGC	SML-LXR85UPGC-TR	C	Green	Water Clear	525	45	3.5	25	160°	1.65	1.60	1.54	1.50
696-SML-LX0805UPGC	SML-LX0805UPGC-TR	C	Ultra Green	Water Clear	525	45	3.5	30	140°	3.68	3.22	2.76	2.30
696-SML-LX0805USBC	SML-LX0805USBC-TR	C	Super Blue	Water Clear	470	25	3.5	30	140°	1.11	.85	.78	.75
696-SML-LXR85USBC	SML-LXR85USBC-TR	C	Blue	Water Clear	470	30	3.5	25	160°	3.68	3.22	2.76	2.30
696-SML-LX0805UWCTR	SML-LX0805UWC-TR	C	White	Water Clear	- - -	150	3.5	20	120°	1.10	.93	.82	.74
1206													
696-SML-LX1206SRC	SML-LX1206SRC-TR	D	Super Red	Water Clear	660	15	1.8	30	160°	.18	.135	.103	.09
696-SML-LX1206SRW	SML-LX1206SRW-TR	D	Super Red	White Diffused	660	15	1.8	30	160°	.24	.21	.18	.15
696-SML-LX1206SIC	SML-LX1206SIC-TR	D	Super Intensity Red	Water Clear	636	70	2	30	140°	.24	.183	.152	.137
696-SML-LX1206IC	SML-LX1206IC-TR	D	Red	Water Clear	635	6	2	25	160°	.18	.135	.10	.095
696-SML-LX1206IW	SML-LX1206IW-TR	D	Red	White Diffused	635	6	2	25	160°	.20	.16	.14	.13
696-SML-LX1206SOC	SML-LX1206SOC-TR	D	Super Orange	Water Clear	610	70	2	30	140°	.45	.36	.30	.27
696-SML-LX1206SYC	SML-LX1206SYC-TR	D	Super Yellow	Water Clear	590	70	2	30	140°	.56	.49	.42	.35
696-SML-LX1206YC	SML-LX1206YC-TR	D	Yellow	Water Clear	585	6	2.1	25	160°	.18	.135	.112	.101
696-SML-LX1206SUGC	SML-LX1206SUGC-TR	D	Super Ultra Green	Water Clear	574	45	2.2	25	140°	1.08	.81	.675	.607
696-SML-LX1206GC	SML-LX1206GC-TR	D	Green	Water Clear	565	10	2.2	25	160°	.15	.12	.10	.09
696-SML-LX1206GW	SML-LX1206GW-TR	D	Green	White Diffused	565	10	2.2	25	160°	.20	.16	.14	.13
696-SML-LX1206UWW	SML-LX1206UWW-TR	D	Ultra White	Pale Diffused	550	90	3.5	20	140°	3.16	2.76	2.37	1.97
696-SML-LX1206UPGC	SML-LX1206UPGC-TR	D	Ultra Pure Green	Water Clear	525	45	3.5	25	140°	3.84	3.36	2.88	2.40
696-SML-LX1206USBC	SML-LX1206USBC-TR	D	Ultra Super Blue	Water Clear	470	25	3.5	25	140°	2.46	1.84	1.53	1.38
1.2 mm x 3.2mm													
696-CCL-LX45SRT	CCL-LX45SRT	E	Super Red	Red Transparent	660	8	1.8	30	180°	1.28	1.12	.96	.80
696-CCL-LX45IT	CCL-LX45IT	E	Red	Red Transparent	635	7.2	2.1	30	180°	1.41	1.05	.82	.71
696-CCL-LX45YT	CCL-LX45YT	E	Yellow	Yellow Transparent	585	7	2.3	30	180°	1.46	1.09	.87	.76
696-CCL-LX45GT	CCL-LX45GT	E	Green	Green Transparent	565	7	2.2	30	180°	1.46	1.09	.87	.76
2.5mm x 3mm													
696-SML-LX23SRC	SML-LX23SRC-TR	F	Super Red	Water Clear	660	100	1.8	30	90°	.48	.42	.36	.30
696-CCL-CRS10R	CCL-CRS10R	F	Red	Water Clear	635	4	2	25	180°	.72	.51	.43	.38
696-SML-LX23IC	SML-LX23IC-TR	F	Red	Water Clear	635	20	2	30	120°	.40	.35	.30	.25
696-CCL-CRS10Y	CCL-CRS10Y	F	Yellow	Water Clear	585	8	2.1	30	180°	.72	.51	.43	.38
696-SML-LX23YC	SML-LX23YC-TR	F	Yellow	Water Clear	585	20	2.1	30	120°	.40	.35	.30	.25
696-CCL-CRS10G	CCL-CRS10G	F	Green	Water Clear	565	12	2	25	180°	.69	.51	.43	.38
696-SML-LX23GC	SML-LX23GC-TR	F	Green	Water Clear	565	20	2.1	25	120°	.40	.35	.30	.25
696-SML-LX23UWC	SML-LX23UWC-TR	F	White	Water Clear	- - -	40	3.6	30	120°	4.48	3.92	3.36	2.80