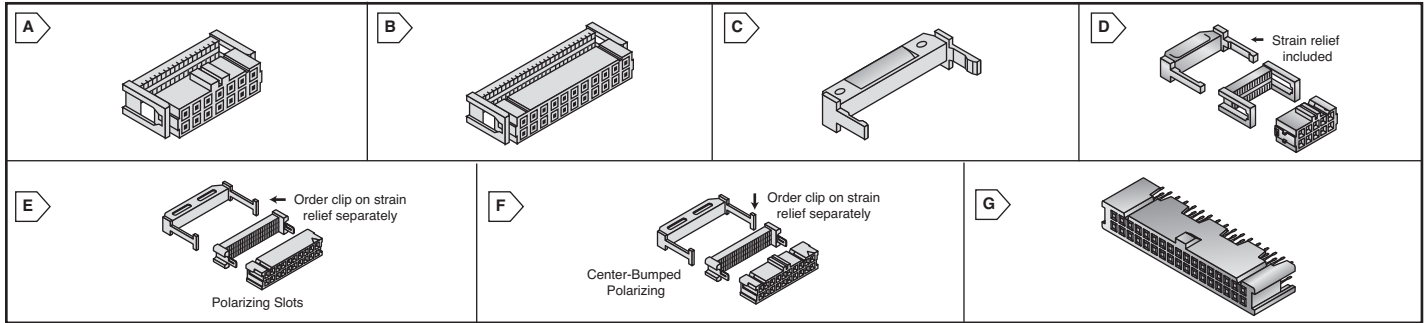


3M™ .100" x .100" Socket Connectors



RoHS Compliant This product is RoHS compliant.



891 SERIES .100" X .100" WIREMOUNT SOCKETS

- Plating: 10µ" gold
- Contact material: Phosphor Bronze (C510)
- Current rating: 1A
- Mates w/ Header Series: 3000, 2500, & 303
- Plug Series: 4600
- RoHS compliant per 3M documentation

For quantities of 200 and up, call for quote.

MOUSER STOCK NO.	3M Part No.	Fig.	No. of Positions	Price Each			
				1	25	50	100
Centerbump Polarizing							
517-D89110-0131HK	D89110-0131HK	A	10	.39	.33	.29	.28
517-D89114-0131HK	D89114-0131HK	A	14	.55	.47	.42	.40
517-D89116-0131HK	D89116-0131HK	A	16	.53	.45	.40	.39
517-D89120-0131HK	D89120-0131HK	A	22	.55	.47	.42	.40
517-D89126-0131HK	D89126-0131HK	A	26	.57	.48	.43	.42
517-D89130-0131HK	D89130-0131HK	A	30	.63	.53	.48	.46
517-D89134-0131HK	D89134-0131HK	A	34	.71	.60	.54	.52
517-D89140-0131HK	D89140-0131HK	A	40	.84	.71	.63	.61
517-D89150-0131HK	D89150-0131HK	A	50	1.04	.88	.78	.76
Without Centerbump Polarizing							
517-D89110-0031HK	D89110-0031HK	B	10	.39	.33	.29	.28
517-D89114-0031HK	D89114-0031HK	B	14	.55	.47	.42	.40
517-D89116-0031HK	D89116-0031HK	B	16	.53	.45	.40	.39
517-D89120-0031HK	D89120-0031HK	B	22	.55	.47	.42	.40
517-D89126-0031HK	D89126-0031HK	B	26	.57	.48	.43	.42
517-D89130-0031HK	D89130-0031HK	B	30	.63	.53	.48	.46
517-D89134-0031HK	D89134-0031HK	B	34	.71	.60	.54	.52
517-D89140-0031HK	D89140-0031HK	B	40	.84	.71	.63	.61
517-D89150-0031HK	D89150-0031HK	B	50	1.04	.88	.78	.76
Optional Clip On Strain Relief							
517-D3448-89110	D3448-89110	C	10	.19	.18	.17	.16
517-D3448-89114	D3448-89114	C	14	.19	.18	.17	.16
517-D3448-89116	D3448-89116	C	16	.19	.18	.17	.16
517-D3448-89120	D3448-89120	C	22	.19	.18	.17	.16
517-D3448-89126	D3448-89126	C	26	.19	.18	.17	.16
517-D3448-89130	D3448-89130	C	30	.19	.18	.17	.16
517-D3448-89134	D3448-89134	C	34	.19	.18	.17	.16
517-D3448-89140	D3448-89140	C	40	.19	.18	.17	.16
517-D3448-89150	D3448-89150	C	50	.19	.18	.17	.16

891 SERIES .100" X .100" PREASSEMBLED WIREMOUNT SOCKETS

- Wire accommodation: 26 & 28 AWG stranded
- Insulation material: Glass filled polyester (PBT), Gray, UL 94V-0
- Plating: 30µ" gold
- Contact material: Phosphor Bronze (C510)
- Current rating: 1A
- Temperature rating: -55°C to +105°C
- Withstanding voltage: 1000Vrms
- Mates w/ Header Series: 3000, 2500, & 303
- Plug Series: 4600
- RoHS compliant per 3M documentation

For quantities of 200 and up, call for quote.

MOUSER STOCK NO.	3M Part No.	Fig.	No. of Positions	Price Each			
				1	25	50	100
Centerbump Polarizing							
517-89110-0101	89110-0101	A	10	.64	.59	.54	.49
517-89114-0101	89114-0101	A	14	.66	.61	.56	.51
517-89116-0101	89116-0101	A	16	.69	.63	.57	.53
517-89120-0101	89120-0101	A	20	.75	.69	.63	.57
517-89126-0101	89126-0101	A	26	.85	.78	.71	.65
517-89130-0101	89130-0101	A	30	.96	.88	.80	.74
517-89134-0101	89134-0101	A	34	.96	.88	.80	.73
517-89140-0101	89140-0101	A	40	1.29	1.18	1.07	.98
517-89150-0101	89150-0101	A	50	1.39	1.28	1.15	1.06
Without Centerbump Polarizing							
517-89110-0001	89110-0001	B	10	.64	.59	.54	.49
517-89114-0001	89114-0001	B	14	.66	.61	.56	.51
517-89116-0001	89116-0001	B	16	.69	.63	.57	.53
517-89120-0001	89120-0001	B	20	.75	.69	.63	.57
517-89126-0001	89126-0001	B	26	.85	.78	.71	.65
517-89130-0001	89130-0001	B	30	.96	.88	.80	.73
517-89134-0001	89134-0001	B	34	.96	.88	.80	.73
517-89140-0001	89140-0001	B	40	1.29	1.18	1.07	.98
517-89150-0001	89150-0001	B	50	1.39	1.28	1.15	1.06
517-89160-0001	89160-0001	B	60	1.43	1.31	1.19	1.09
Optional Clip On Strain Relief							
517-3448-89110	3448-89110	C	10	.21	.20	.19	.18
517-3448-89114	3448-89114	C	14	.21	.20	.19	.18
517-3448-89116	3448-89116	C	16	.21	.20	.19	.18
517-3448-89120	3448-89120	C	20	.21	.20	.19	.18
517-3448-89126	3448-89126	C	26	.21	.20	.19	.18
517-3448-89134	3448-89134	C	34	.21	.20	.19	.18
517-3448-89140	3448-89140	C	40	.21	.20	.19	.18
517-3448-89150	3448-89150	C	50	.21	.20	.19	.18
517-3448-89160	3448-89160	C	60	.31	.29	.28	.26

Centerbump Polarizing - Strain Relief Included

MOUSER STOCK NO.	3M Part No.	Fig.	No. of Positions	Price Each			
				1	25	50	100
517-8910	89110-0103	D	10	.91	.83	.78	.69
517-8914	89114-0103	D	14	.93	.85	.81	.76
517-8916	89116-0103	D	16	.96	.87	.82	.78
517-8920	89120-0103	D	20	1.02	.93	.88	.84
517-8924	89124-0103	D	24	1.04	1.00	.94	.90
517-8926	89126-0103	D	26	1.17	1.06	1.02	.96
517-8930	89130-0103	D	30	1.32	1.21	1.14	1.08
517-8934	89134-0103	D	34	1.20	1.11	1.02	.93
517-8940	89140-0103	D	40	1.66	1.51	1.43	1.35
517-8950	89150-0103	D	50	2.13	1.97	1.82	1.64
517-8960	89160-0103	D	60	1.76	1.68	1.60	1.51

3000 SERIES .100" X .100" WIREMOUNT SOCKET CONNECTORS

- Industry standard IDC socket
- Current rating: 1A
- Positive locking metal "J" clips provide high cover retention
- Withstanding voltage: 1000Vrms
- Accepts flat cable or discrete wire
- Temperature rating: -55°C to +105°C
- Insulation material: Glass filled polyester (PBT), Gray, UL 94V-0
- Contact material: Copper alloy
- Wire accommodation: 26 & 28 AWG solid or stranded
- Mates w/ Header Series: 3000, 2500, & 303
- Plug Series: 4600
- Plating: 30µ" Gold
- Order strain reliefs separately, (see below)
- RoHS compliant per 3M documentation

For quantities of 200 and up, call for quote.

MOUSER STOCK NO.	3M Part No.	Fig.	No. of Positions	Price Each			
				1	25	50	100
Polarizing Slots - Open-Ended for Daisy Chaining							
517-3473-6000	3473-6000	E	10	1.99	1.83	1.66	1.52
517-3385-6000	3385-6000	E	14	2.41	2.21	2.00	1.83
517-3452-6000	3452-6000	E	16	2.64	2.42	2.20	2.00
517-3421-6000	3421-6000	E	20	2.91	2.66	2.42	2.21
517-3626-6000	3626-6000	E	24	3.49	3.20	2.91	2.66
517-3399-6000	3399-6000	E	26	3.76	3.17	3.13	2.86
517-3419-6000	3419-6000	E	30	4.32	3.64	3.55	3.28
517-3414-6000	3414-6000	E	34	4.91	4.13	4.01	3.72
517-3417-6000	3417-6000	E	40	5.76	4.84	4.71	4.37
517-3425-6000	3425-6000	E	50	7.20	6.05	5.85	5.46
Polarizing Slots - Closed-Ended for Line Termination							
517-3473-7000	3473-7000	E	10	2.12	1.94	1.76	1.61
517-3385-7000	3385-7000	E	14	2.66	2.44	2.22	1.92
517-3452-7000	3452-7000	E	16	2.78	2.55	2.32	2.11
517-3421-7000	3421-7000	E	20	3.05	2.80	2.54	2.20
517-3626-7000	3626-7000	E	24	3.65	3.35	3.05	2.78
517-3399-7000	3399-7000	E	26	3.97	3.69	3.30	2.86
517-3419-7000	3419-7000	E	30	4.56	4.16	3.79	3.28
517-3414-7000	3414-7000	E	34	5.12	4.67	4.25	3.69
517-3417-7000	3417-7000	E	40	6.01	5.49	5.00	4.33
517-3425-7000	3425-7000	E	50	7.49	6.84	6.23	5.68
Center-Bumped Polarizing - Open-Ended for Daisy Chaining							
517-3473-6600	3473-6600	F	10	1.99	1.83	1.66	1.52
517-3385-6600	3385-6600	F	14	2.41	2.03	1.95	1.83
517-3452-6600	3452-6600	F	16	2.64	2.42	2.20	2.00
517-3421-6600	3421-6600	F	20	2.91	2.66	2.42	2.21
517-3626-6600	3626-6600	F	24	3.49	3.20	2.91	2.66
517-3399-6600	3399-6600	F	26	3.76	3.16	3.13	2.86
517-3419-6600	3419-6600	F	30	4.32	3.64	3.55	3.28
517-3414-6600	3414-6600	F	34	4.91	4.13	4.08	3.73
517-3417-6600	3417-6600	F	40	5.76	4.84	4.74	4.37
517-3425-6600	3425-6600	F	50	7.20	6.05	5.85	5.46
Center-Bumped Polarizing - Closed-Ended for Line Termination							
517-3473-7600	3473-7600	F	10	2.12	1.94	1.76	1.61
517-3385-7600	3385-7600	F	14	2.66	2.24	2.12	2.02
517-3452-7600	3452-7600	F	16	2.78	2.55	2.32	2.11
517-3421-7600	3421-7600	F	20	3.05	2.57	2.45	2.32
517-3626-7600	3626-7600	F	24	3.65	3.35	3.05	2.78
517-3399-7600	3399-7600	F	26	3.97	3.34	3.25	3.01
517-3419-7600	3419-7600	F	30	4.56	3.83	3.79	3.46
517-3414-7600	3414-7600	F	34	5.12	4.30	4.25	3.88
517-3417-7600	3417-7600	F	40	6.01	5.05	4.75	4.56
517-3425-7600	3425-7600	F	50	7.49	6.84	6.23	5.68
Plastic Clip On Strain Reliefs							
517-3448-3010	3448-3010	-	10	.25	.23	.21	.19
517-3448-3014	3448-3014	-	14	.25	.23	.21	.19
517-3448-3016	3448-3016	-	16	.25	.23	.21	.19
517-3448-3020	3448-3020	-	20	.25	.23	.21	.19
517-3448-3024	3448-3024	-	24				