

MOLEX EXTreme Power Connectors



RoHS Compliant This product is RoHS compliant.

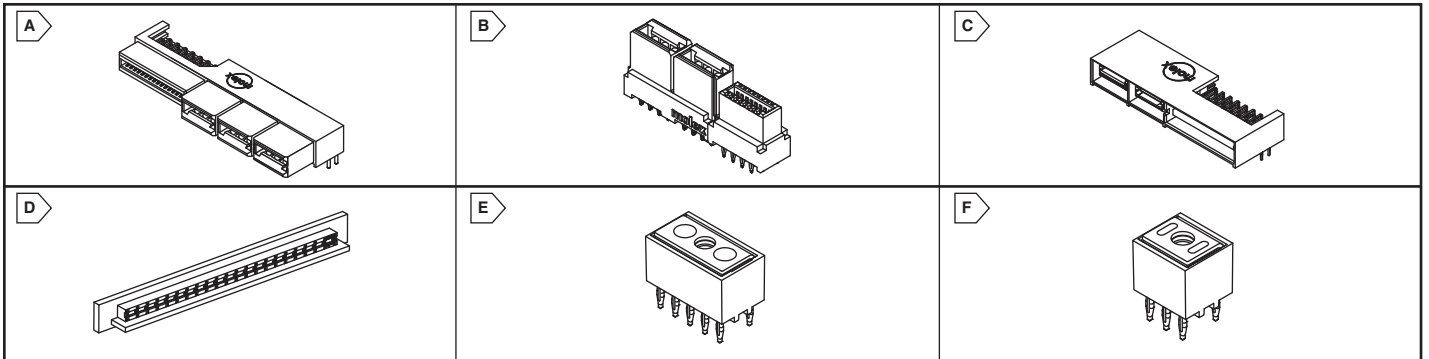
NEW AT MOUSER

Rectangular Power

Molex

NEW AT MOUSER

NEW AT MOUSER



EXTreme LPHPower™ Connectors

The EXTreme LPHPower connector is a mixed high-current power and signal connector system. Designed with power blades parallel to the PC board, its extremely low-profile height of 7.50mm creates system airflow while taking up 58% less space than traditional connectors with the same current rating.

Features:

- Low Profile design, 7.50mm height
- Rated for current interruption hot-plugging requirements
- Rugged signal and power contacts reduce the potential for stubbing or damage
- Two isolated power contacts per housing bay
- Last-mate/first-break available on power contacts

Specifications:

- Voltage: 250V max
- Current: Power-30A max
Signal-1A max
- Housing: LCP
- Contacts: Power-Copper Alloy
Signal-Phosphor Bronze



RoHS Compliant



For quantities of 100 and up, call for quote.

MOUSER STOCK NO.	Molex Part No.	Fig.	No. of Contacts	Orientation	Guides	PCB Thickness	Price Each			
							1	10	25	50
Receptacles										
538-45984-4132	45984-4132	A	4P+20S	Right Angle	No	.093"	10.00	9.00	8.18	7.50
538-45984-4142	45984-4142	A	4P+24S	Right Angle	No	.093"	10.35	9.31	8.47	7.76
538-45984-4152	45984-4152	A	4P+28S	Right Angle	No	.093"	10.69	9.62	8.75	8.02
538-45984-4432	45984-4432	A	4P+20S	Right Angle	No	.093"	11.16	10.05	9.13	8.37
538-45984-4442	45984-4442	A	4P+24S	Right Angle	Yes	.093"	11.51	10.36	9.41	8.63
538-45984-4452	45984-4452	A	4P+28S	Right Angle	Yes	.093"	11.85	10.67	9.70	8.89
538-45984-6142	45984-6142	A	6P+24S	Right Angle	No	.093"	11.93	10.73	9.76	8.94
538-45984-6152	45984-6152	A	6P+28S	Right Angle	No	.093"	12.27	11.04	10.04	9.20
538-45984-6162	45984-6162	A	6P+32S	Right Angle	No	.093"	12.59	11.33	10.30	9.45
538-45984-6442	45984-6442	A	6P+24S	Right Angle	Yes	.093"	13.09	11.78	10.71	9.82
538-45984-6452	45984-6452	A	6P+28S	Right Angle	Yes	.093"	13.43	12.09	10.99	10.07
538-45984-6462	45984-6462	A	6P+32S	Right Angle	Yes	.093"	13.78	12.40	11.27	10.33
538-45984-8442	45984-8442	A	8P+24S	Right Angle	Yes	.093"	14.67	13.20	12.00	11.00
538-45984-8452	45984-8452	A	8P+28S	Right Angle	Yes	.093"	15.01	13.51	12.28	11.26
538-45984-8462	45984-8462	A	8P+32S	Right Angle	Yes	.093"	15.36	13.82	12.56	11.52
538-46114-4201	46114-4201	B	4P+20S	Vertical	No	.062"	8.87	7.98	7.25	6.65
538-46114-4241	46114-4241	B	4P+24S	Vertical	No	.062"	9.22	8.30	7.55	6.92
538-46114-4281	46114-4281	B	4P+28S	Vertical	No	.062"	9.56	8.60	7.82	7.17
538-46114-4200	46114-4200	B	4P+20S	Vertical	Yes	.062"	9.44	8.50	7.73	7.08
538-46114-4240	46114-4240	B	4P+24S	Vertical	Yes	.062"	9.80	8.82	8.02	7.35
538-46114-4280	46114-4280	B	4P+28S	Vertical	Yes	.062"	10.16	9.14	8.31	7.62
538-46114-6240	46114-6240	B	6P+24S	Vertical	Yes	.062"	11.38	10.24	9.31	8.53
538-46114-6280	46114-6280	B	6P+28S	Vertical	Yes	.062"	11.73	10.56	9.60	8.80
538-46114-6320	46114-6320	B	6P+32S	Vertical	Yes	.062"	12.07	10.86	9.87	9.05
538-46114-8240	46114-8240	B	8P+24S	Vertical	Yes	.062"	12.93	11.64	10.58	9.70
538-46114-8280	46114-8280	B	8P+28S	Vertical	Yes	.062"	13.29	11.96	10.87	9.97
538-46114-8320	46114-8320	B	8P+32S	Vertical	Yes	.062"	13.64	12.28	11.16	10.23
538-46114-8400	46114-8400	B	8P+40S	Vertical	Yes	.062"	14.35	13.21	12.15	11.71
Plugs										
538-45985-4432	45985-4432	C	4P+20S	Right Angle	Yes	.093"	11.26	10.13	9.21	8.44
538-45985-4442	45985-4442	C	4P+24S	Right Angle	Yes	.093"	11.63	10.47	9.52	8.72
538-45985-4452	45985-4452	C	4P+28S	Right Angle	Yes	.093"	12.00	10.80	9.82	9.00
538-45985-6442	45985-6442	C	6P+24S	Right Angle	Yes	.093"	12.94	11.65	10.59	9.71
538-45985-6452	45985-6452	C	6P+28S	Right Angle	Yes	.093"	13.31	11.98	10.89	9.99
538-45985-6462	45985-6462	C	6P+32S	Right Angle	Yes	.093"	13.69	12.32	11.20	10.27
538-45985-8442	45985-8442	C	8P+24S	Right Angle	Yes	.093"	14.25	12.83	11.66	10.69
538-45985-8452	45985-8452	C	8P+28S	Right Angle	Yes	.093"	14.62	13.16	11.96	10.97
538-45985-8462	45985-8462	C	8P+32S	Right Angle	Yes	.093"	15.00	13.50	12.27	11.25

EXTreme MicroPower™ Connectors

The EXTreme MicroPower High-current header can be used in VRM/DC-DC Converters or any board to board application where power transfer is needed through a non-seperable interface in a compact design.

Features:

- Compact size improves airflow and saves PCB space
- Rated for current interruption hot-plugging requirements and greater density capability with lower resistance
- Solder to both PCBs

Specifications:

- Housing: LCP
- Contacts: Copper Alloy
- Voltage: 250V max
- Current: 16A max



RoHS Compliant



For quantities of 100 and up, call for quote.

MOUSER STOCK NO.	Molex Part No.	Fig.	No. of Contacts	Orientation	Tail Length	Price Each			
						1	10	25	50
538-75730-0206	75730-0206	D	6	Right Angle	.125"	1.26	1.13	1.03	.94
538-75730-0216	75730-0216	D	16	Right Angle	.125"	2.08	1.91	1.74	1.60
538-75730-0222	75730-0222	D	22	Right Angle	.125"	4.05	3.65	3.31	3.04

EXTreme ZPower™ Connectors

The EXTreme ZPower Connector can be used in either a mezzanine style board or remote style wire to board application. It can also double as an effective stand-off.

Features:

- Low contact resistance
- Rigid, screw down interface
- Compliant pin-interface
- Captured internal nut

Specifications:

- Voltage: 250V max
- PCB Thickness: .093"



RoHS Compliant



For quantities of 100 and up, call for quote.

MOUSER STOCK NO.	Molex Part No.	Fig.	Description	Tail Length	Current (max)	Price Each			
						1	10	25	50
538-76001-0010	76001-0010	E	10 Press Fit tails, Gold	.154"	50A	3.41	3.11	2.77	2.49
538-76001-0110	76001-0110	E	10 Press Fit tails, Tin	.154"	50A	2.83	2.48	2.20	1.98
538-76001-0006	76001-0006	F	6 Press Fit tails, Gold	.154"	30A	2.54	2.23	1.98	1.78
538-76001-0106	76001-0106	F	6 Press Fit tails, Tin	.154"	30A	2.46	2.15	1.91	1.72

