

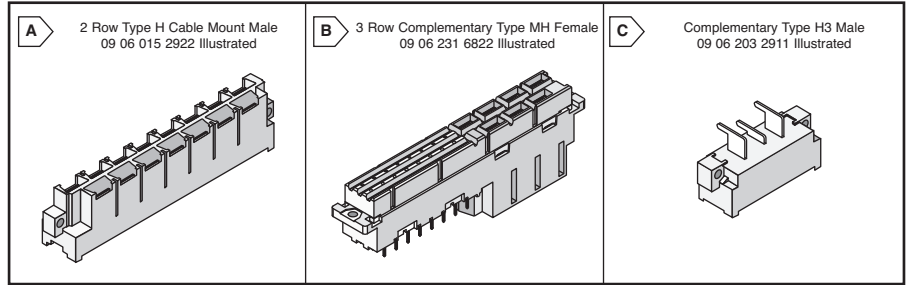
HARTING DIN 41612 Connectors, Tools and Accessories



DIN 41612 POWER CONNECTORS

- Pitch: 5.09mm
- Current rating: 15A
- Temperature Range: -55°C - +125°C
- Contact Plating: Hard Silver Plated
- Contact resistance: $\leq 9m\Omega$
- Moldings: Thermoplastic resin, glass fiber filled - UL 94V-0
- Contacts: Copper Alloy

* LC1= Leading contact at position z32
 LC2= Leading contacts at position z4 and z32
 LMC= Leading middle contact



2 Row Type H

For quantities of 50 or more, call for quote.

MOUSER STOCK NO.	HARTING Part No.	Fig.	No. of Contacts	Rows Loaded	Style	Termination Type	Pin Length (mm)	Leading Contact *	Price Each		
									1	10	25
Male											
617-09-06-015-2912	09 06 015 2912	A	15	z, d	Cable Mount	Faston 6.3 x 2.5	-	-	11.06	10.22	9.68
617-09-06-015-2922	09 06 015 2922	A	13 + 2	z, d	Cable Mount	Faston 6.3 x 2.5	-	LC2	10.80	9.99	9.45
617-09-06-115-2911	09 06 115 2911	A	15	z, d	Right-Angle	Solder Pins	3	-	9.23	8.52	8.07
617-09-06-115-2932	09 06 115 2932	A	14 + 1	z, d	Right-Angle	Solder Pins	3	LC1	8.70	8.04	7.61
617-09-06-115-2921	09 06 115 2921	A	13 + 2	z, d	Right-Angle	Solder Pins	3	LC2	10.39	9.61	9.09
Female											
617-09-06-215-2821	09 06 215 2821	A	15	z, d	Straight	Solder Pins	4	-	9.61	8.89	8.41
617-09-06-015-2813	09 06 015 2813	A	15	z, d	Cable Mount	Cage Clamp	-	-	29.12	26.92	25.48
617-09-06-215-2811	09 06 215 2811	A	15	z, d	Cable Mount	Faston 6.3 x 2.5	-	-	9.51	8.79	8.32
617-09-06-215-2871	09 06 215 2871	A	15	z, d	Cable Mount	Faston 6.3 x 2.5	-	-	9.55	8.83	8.36

3 Row Complementary Type MH

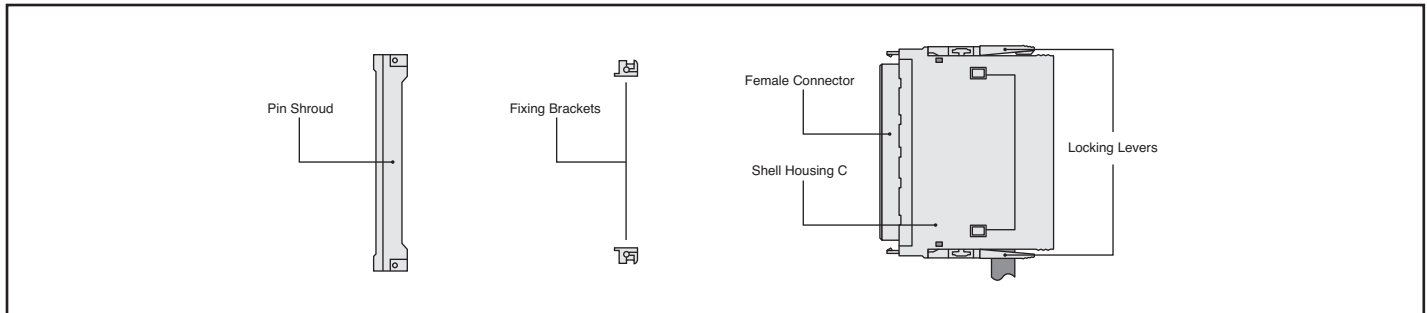
For quantities of 50 or more, call for quote.

Male											
MOUSER STOCK NO.	HARTING Part No.	Fig.	No. of Contacts	Rows Loaded	Style	Termination Type	Pin Length (mm)	Leading Contact *	1	10	25
617-09-06-131-6922	09 06 131 6922	B	24 + 7	z, b, d	Right-Angle	Solder Pins	3	LC1	8.21	7.59	7.18
Female											
617-09-06-231-6822	09 06 231 6822	B	24 + 7	z, b, d	Straight	Solder Pins	4.5	-	14.94	13.81	13.08

Single Row Complementary Type H3

For quantities of 50 or more, call for quote.

MOUSER STOCK NO.	HARTING Part No.	Fig.	No. of Contacts	Rows Loaded	Style	Termination Type	Pin Length (mm)	Leading Contact *	Price Each		
									1	10	25
Male											
617-09-06-203-2911	09 06 203 2911	C	3	-	Right-Angle	Solder Pins	3	LMC	5.02	4.65	4.39
Female											
617-09-06-203-2811	09 06 203 2811	C	3	-	Straight	Solder Pins	4	-	6.04	5.59	5.28



DIN 41612 ACCESSORIES

For quantities of 100 or more, call for quote.

MOUSER STOCK NO.	HARTING Part No.	Description	Price Each			
			1	10	25	50
617-09-03-096-0501	09 03 096 0501	Shell housing C for female connectors types C, D	10.59	9.80	9.27	8.65
617-09-02-000-9919	09 02 000 9919	Left fixing bracket for shell housing C - fits male connectors type B, C, D, E	1.08	1.00	.95	.88
617-09-02-000-9920	09 02 000 9920	Right fixing bracket for shell housing C - fits male connectors type B, C, D, E	1.08	1.00	.95	.88
617-09-02-000-9902	09 02 000 9902	Left locking lever for shell housing C	1.16	1.07	1.02	.95
617-09-02-000-9903	09 02 000 9903	Right locking lever for shell housing C	1.16	1.07	1.02	.95
617-09-02-000-9909	09 02 000 9909	Locking screw for shell housing C	.45	.42	.40	.36
617-09-02-000-9911	09 02 000 9911	Round cable insert for shell housing C	2.83	2.63	2.48	2.32
617-09-03-000-9912	09 03 000 9912	Pin shroud for 13mm wire wrap pins	3.31	3.05	2.90	2.70
617-09-03-000-9964	09 03 000 9964	Pin shroud for 17mm wire wrap pins	3.96	3.66	3.46	3.23
617-09-06-048-0521	09 06 048 0521	Shell housing D20 for types F, H, and MH 20mm hood width	16.75	15.50	14.66	13.68
*617-09-06-000-9912	09 06 000 9912	Fixing bracket for Type D right-angle female	1.26	1.17	1.11	1.03
*617-09-03-000-9914	09 03 000 9914	Locking lever for female connector type C	1.43	1.32	1.25	1.17
*617-09-03-000-9913	09 03 000 9913	Locking lever for female connector type R	1.43	1.32	1.25	1.17

* Order 2 pcs per connector

DIN 41612 TOOLS

For quantities greater than listed, call for quote.

MOUSER STOCK NO.	HARTING Part No.	Description	Price Each	
			1	5
617-09-99-000-0620	09 99 000 0620	Crimping tool for types BC and FC individual contacts	310.36	275.89
617-09-99-000-0621	09 99 000 0621	Crimp set for individual contacts 28-24 AWG (BC and FC1)	227.87	202.56
617-09-99-000-0622	09 99 000 0622	Crimp set for individual contacts 26-20 AWG (FC 2)	227.87	202.56
617-09-99-000-0623	09 99 000 0623	Crimp set for individual contacts 20-16 AWG (FC 3)	227.87	202.56
617-09-99-000-0630	09 99 000 0630	Spare locator for type BC contacts	49.38	43.88
617-09-99-000-0100	09 99 000 0100	Insertion tool for type BC contacts	24.97	22.19
617-09-99-000-0101	09 99 000 0101	Removal tool for type BC contacts	25.54	23.00
617-09-99-000-0631	09 99 000 0631	Spare locator for types FC contacts	29.96	26.63
617-09-99-000-0088	09 99 000 0088	Insertion tool for types FC contacts	4.59	4.08
617-09-99-000-0087	09 99 000 0087	Removal tool for types FC contacts	4.06	3.60
617-09-99-000-0174	09 99 000 0174	Removal tool for Type M	166.91	148.37

