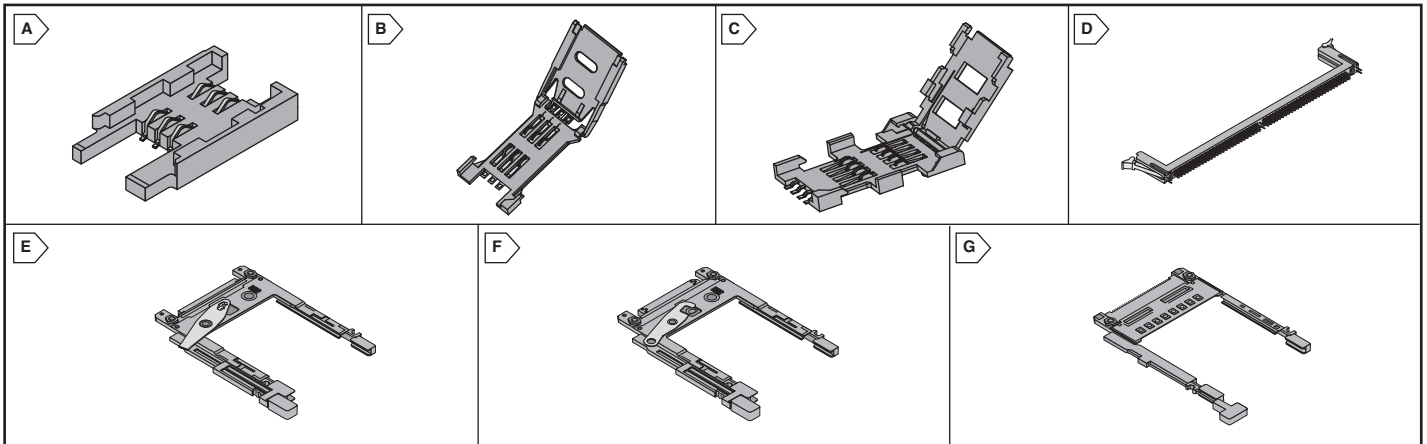


FCI SIM, DDR2, PCMCIA and Cardbus Connectors



RoHS Compliant This product is RoHS compliant.



SIM CONNECTORS

Features:

- Various heights available
- All directions insertion option
- Sliding with and without stopper configurations available
- Switched versions available
- RoHS compliant per FCI documentation



RoHS Compliant

For quantities of 200 and up, call for quote.

| MOUSER STOCK NO. | FCI Part No. | Fig. | Number of Positions | Configuration | Cover Type | Height | Price Each | | | |
|--------------------|----------------|------|---------------------|-----------------|--------------|--------|------------|------|------|------|
| | | | | | | | 1 | 25 | 50 | 100 |
| 649-7111S1615A01LF | 7111S1615A01LF | A | 6 | With Cardguides | None | 3.7mm | 1.22 | 1.10 | 1.05 | .96 |
| 649-7111S2015X02LF | 7111S2015X02LF | B | 6 | Flip Top | With Windows | 2.5mm | .71 | .63 | .61 | .58 |
| 649-7112S0825X01LF | 7112S0825X01LF | C | 8 | Flip Top | With Windows | 3mm | 1.59 | 1.44 | 1.37 | 1.25 |

DDR2 CONNECTORS

Vertical sockets accept DDR2 (Double Data Rate 2) memory module assemblies per JEDEC MO-237 to allow convenient memory expansion in desktop PC's, servers, and communication equipment.



RoHS Compliant

Features:

- 240 Positions
- Centerline Spacing: 1.00mm (0.039 in.)
- Orientation: Vertical
- Voltage: 1.8V
- RoHS Compliant per FCI documentation

Specifications:

- Plating: Contact: 15µ" Gold; *3µ" Gold; Solder-tail: 100µ" Tin; Underplate: 50µ" Nickel
- Housing Material: Thermoplastic (UL94 V-0)
- Contact Base Metal: Copper Alloy
- Current Rating: 0.5 Amps @ 30°C rise
- Durability (Mating Cycles): 25 Mating cycles per EIA 364

For quantities of 100 and up, call for quote.

| MOUSER STOCK NO. | FCI Part No. | Fig. | Housing Color | Latch Color | Clip Type | Contact Plating | Tail Length | Price Each | | |
|-----------------------|------------------|------|---------------|-------------|--------------|-----------------|-------------------|------------|------|------|
| | | | | | | | | 1 | 25 | 50 |
| 649-10023061-10207LF | 10023061-10207LF | D | Black housing | Ivory | Plastic post | 15µ" Gold | 3.18mm (.125 in.) | 1.73 | 1.26 | 1.21 |
| 649-10023061-10227LF | 10023061-10227LF | D | Black housing | Black | Plastic post | 15µ" Gold | 3.18mm (.125 in.) | 1.73 | 1.26 | 1.21 |
| 649-10005639-11107LF | 10005639-11107LF | D | Black housing | Ivory | Metal clip | 15µ" Gold | 2.67mm (.105 in.) | 1.69 | 1.22 | 1.18 |
| 649-10005639-11109LF | 10005639-11109LF | D | Black housing | Ivory | Metal clip | 15µ" Gold | 2.67mm (.105 in.) | 1.46 | 1.08 | 1.01 |
| 649-10005639-12207LF* | 10005639-12207LF | D | Black housing | Ivory | Metal clip | 3µ" Gold | 3.18mm (.125 in.) | 1.69 | 1.22 | 1.18 |
| 649-10005639-12227LF | 10005639-12227LF | D | Black housing | Black | Metal clip | 15µ" Gold | 3.18mm (.125 in.) | 1.78 | 1.28 | 1.24 |

PCMCIA HEADERS

Features:

- Insertion Force: 39.2 N max
- Current Rating: 0.5 amp DC per contact
- Insertion Force: 39.2 N max
- Current Rating: 0.5 amp DC per contact

Specifications:

- Withdrawal Force: 6.67 N min 39.2 N max
- UL and CSA approved
- Housing: Black LCP
- Center Line Spacing: 1.27 mm
- RoHS Compliant per FCI documentation



RoHS Compliant

For quantities of 200 and up, call for quote.

| MOUSER STOCK NO. | FCI Part No. | Fig. | Mounting Style | Standoff Height | Voltage | No. of Decks | Price Each | | | |
|-------------------|---------------|------|----------------|-----------------|---------|--------------|------------|------|------|------|
| | | | | | | | 1 | 25 | 50 | 100 |
| 649-61124-250CALF | 61124-250CALF | - | Surface Mount | 5.0mm | 3.3V | Double | 12.07 | 8.55 | 8.40 | 7.85 |
| 649-61125-050CALF | 61125-050CALF | E | Surface Mount | 5.0mm | 3.3V | Single | 6.91 | 4.59 | 4.20 | 4.12 |
| * 649-88640-150LF | 88640-150LF | E | Surface Mount | 5.0mm | 5.0V | Single | 9.74 | 6.90 | 6.30 | 6.09 |
| 649-92194-320CALF | 92194-320CALF | F | Through Hole | 2.0mm | 5.0V | Double | 12.60 | 8.91 | 8.40 | 8.21 |
| 649-92193-120CALF | 92193-120CALF | F | Through Hole | 2.0mm | 5.0V | Single | 7.75 | 6.66 | 6.30 | 5.86 |
| 649-84648-040HLF | 84648-040HLF | F | Through Hole | 4.0mm | 3.3V | Single | 9.91 | 6.19 | 5.91 | 5.67 |
| 649-92140-010LF | 92140-010LF | F | Through Hole | 4.0mm | 5.0V | Single | 3.57 | 2.19 | 2.06 | 1.89 |
| 649-92789-040HLF | 92789-040HLF | F | Through Hole | 4.0mm | 5.0V | Single | 4.20 | 2.94 | 2.77 | 2.60 |

* White Housing Color

CARDBUS HEADERS

Features:

- Conform to CardBus standards
- Usable as a stand alone header
- Card Travel: 8 mm

Specifications:

- No. of Contacts: 136
- Withdrawal Force: 6.67 N min 39.2 N max
- UL and CSA approved
- Housing: Black LCP
- Center Line Spacing: 1.27 mm
- RoHS Compliant per FCI documentation



RoHS Compliant

For quantities of 200 and up, call for quote.

| MOUSER STOCK NO. | FCI Part No. | Fig. | Mounting Style | Standoff Height | Eject Style | No. of Decks | Price Each | | | |
|-------------------|---------------|------|------------------|-----------------|----------------|--------------|------------|-------|-------|-------|
| | | | | | | | 1 | 25 | 50 | 100 |
| 649-71299-050CALF | 71299-050CALF | G | SMT Vertical PCB | 5.0mm | Front Push Rod | Single | 7.64 | 5.07 | 4.81 | 4.56 |
| 649-72305-020LF | 72305-020LF | G | SMT Vertical PCB | 2.2mm | Non-Eject | Single | 17.33 | 11.97 | 11.43 | 10.61 |