


# AMPHENOL Smart Card Connectors

Amphenol®

 This product is RoHS compliant.

Amphenol Smart Card Connectors are designed to make secure contact to all cards designed according to ISO 7816 and thus ensure a reliable data transmission. The communication with the chip card can begin when the card is fully inserted and the data contacts are all connected. At this point an integral card presence switch is activated and signals to the connected circuitry that the card is ready to be read and written to.

## VARIO

The subseries C702A is a robust product line featuring landing contacts for applications like ATMs, vending machines, access control systems and telematics.

### Features:

- Card presence switch
- Landing self-cleaning contacts
- Accessories available
- EMV compliant

For quantities of 100 and up, call for quote.

MOUSER STOCK NO.	Amphenol Part No.	Fig.	Description	Price Each			
				1	5	10	25
<a href="#">523-C70210M0085142</a>	C702 10M008 514 2	A	Push-Pull, standard, EMV switch normally open	31.82	29.07	26.77	24.80

## PUSHMATIC®

### Features:

- 300,000 mating cycles
- Landing, self-cleaning contacts
- Card presence switch
- Accessories available

For quantities of 100 and up, call for quote.

MOUSER STOCK NO.	Amphenol Part No.	Fig.	Description	Price Each			
				1	5	10	25
<a href="#">523-C70210M0087012</a>	C702 10M008 701 2	B	PUSHMATIC, standard, EMV switch normally open	49.89	45.59	41.97	38.89

## PCB SLIMLINE

Measures 56x30mm reducing space demands by more than half.

### Applications:

- Parking meters
- Toll road trans-poders
- Utility meters
- 100,000 mating cycles

For quantities of 500 and up, call for quote.

MOUSER STOCK NO.	Amphenol Part No.	Fig.	Description	Price Each			
				1	10	25	100
<a href="#">523-C70210M00825240</a>	C702 10M008 252 40	C	Chip card reader, switch closed	3.02	2.76	2.54	2.35

## SIMLOCK®

The SIMLOCK® acceptor is designed to accept the GSM 11.11 miniature SIM (Security Identity Module). The standard is also popular for use as a SAM (Security Access Module) in EFT applications. The designer does not have to be concerned with housing tolerances and card guiding due to a self contained system. Ideal for mobile applications.

### Features:

- Reliable function in locked state during mobile use
- Polarization
- Card presence switch available
- Surface Mount Type
- Tape and Reel
- Contact position meets ISO 7816 and/or GSM 11.11
- Suitable for automatic assembly processes
- 1500 mating cycles

### Specifications:

- Color: Black
- Number of Contacts: 6 (3+3)
- Contact Plating: Gold over Nickel
- Operating Temperature: -40°C to +85°C
- Soldering Conditions: Infrared reflow- 245°C, 10s max
- Housing: UL94V-0
- Height: 2.5mm

For quantities of 500 and up, call for quote.

MOUSER STOCK NO.	Amphenol Part No.	Fig.	Description	Price Each			
				1	10	25	100
<a href="#">523-C70710M0065222</a>	C707 10M006 522 2	D	Card presence switch, Locking detectors w/o positioning pins	2.20	2.02	1.86	1.66
<a href="#">523-C70710M0065232</a>	C707 10M006 523 2	D	Card presence switch, Locking detectors w/ 2 positioning pins	2.42	2.20	2.02	1.78
<a href="#">523-C70710M0060492</a>	C707 10M006 049 2	E	Low Profile, 2 different positioning pins, no locking detector	1.84	1.67	1.53	1.35
<a href="#">523-C70710M0065002</a>	C707 10M006 500 2	E	Low profile, w/o positioning pins, no locking detector	2.05	1.86	1.71	1.51

## SIMBLOCK®

The SIMBLOCK® is an SMT contact block that can be used in applications where space is at a premium, making it suitable for mobile applications such as cell phones, handsets to e-purses.

### Features:

- Small footprint
- Multidirectional card insertion
- Surface Mount Type
- Pick and Place area
- Contact position meets ISO 7816 and/or GSM 11.11
- 1500 mating cycles
- Wingblock uses metal wings as card guidance

### Specifications:

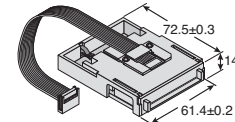
- Color: Black
- Housing: UL94V-0
- Contact Plating: Gold over Nickel
- Operating Temperature: -40°C to +85°C
- Soldering Conditions: Infrared reflow- 245°C, 10s max

For quantities of 500 and up, call for quote.

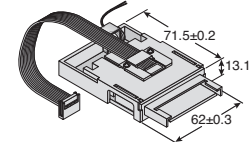
MOUSER STOCK NO.	Amphenol Part No.	Fig.	Description	Price Each			
				1	10	25	100
<a href="#">523-C70710M0060522</a>	C707 10M006 052 2	F	2mm without switch, 8 contacts	2.74	2.49	2.28	2.01
<a href="#">523-C70710M0060972</a>	C707 10M006 097 2	G	2.8mm with card guide & stop, 6 contacts, wingblock	1.04	.95	.87	.76
<a href="#">523-C70710M0061192</a>	C707 10M006 119 2	H	2mm without switch, 6 contacts (3+3)	.54	.49	.45	.40

**DIMENSIONS: mm**

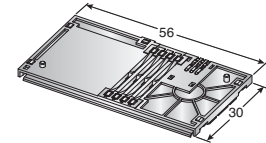
**A**



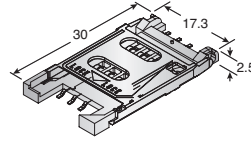
**B**



**C**

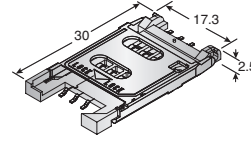


**D**

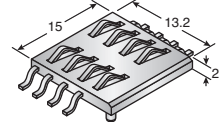


w/ card presence switch

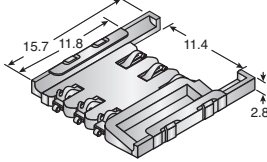
**E**



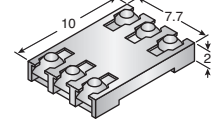
**F**



**G**



**H**



Backplane/Card Edge Amphenol