

# 3M™ Card Edge, Compact Flash and SD Connectors



## .100" PAK 100 CARD EDGE CONNECTORS

- Reinforced card-edge resists mouth bowing for consistent contact performance
- Metal cover clips provide superior cover retention
- Bifurcated contacts provide reliable contact with PC boards
- Insulation Material: Glass filled polyester (PBT)
- Flammability: UL 94V-0
- Color: Gray
- Contact Material: Copper alloy
- Contact Plating: 30µ" Gold, Type II, Grade C
- Wire Accommodation: 26 and 28AWG solid or stranded
- Cable Conductor Pitch: .050" (1.27mm)
- Current Rating: 1A
- Insulation Resistance: >1 x 10<sup>9</sup> at 500VDC
- Withstanding Voltage: 1000 Vrms at sea level
- Temperature Rating: -55°C to +105°C
- RoHS compliant per 3M documentation



For quantities of 200 and up, call for quote.

MOUSER STOCK NO.	3M Part No.	Fig.	No. of Circuits	Description	Price Each			
					1	25	50	100
<b>With Drilled Mounting Flanges</b>								
517-3358-0000	3358-0000	A	10	Card-Edge to Flat Cable	4.28	4.11	3.99	3.87
517-3461-0000	3461-0000	A	20	Card-Edge to Flat Cable	5.58	5.28	5.14	5.04
517-3462-0000	3462-0000	A	26	Card-Edge to Flat Cable	6.77	6.58	6.30	6.11
517-3463-0000	3463-0000	A	34	Card-Edge to Flat Cable	7.21	7.01	6.80	6.50
517-3666-0000	3666-0000	A	60	Card-Edge to Flat Cable	13.48	11.34	11.02	10.23
<b>Without Mounting Flanges</b>								
517-3358-0001	3358-0001	B	10	Card-Edge to Flat Cable	4.28	4.11	3.99	3.87
517-3368-0001	3368-0001	B	16	Card-Edge to Flat Cable	5.26	5.10	4.95	4.75
517-3461-0001	3461-0001	B	20	Card-Edge to Flat Cable	5.58	5.25	5.04	4.90
517-3462-0001	3462-0001	B	26	Card-Edge to Flat Cable	6.77	6.58	6.30	6.11
517-3463-0001	3463-0001	B	34	Card-Edge to Flat Cable	7.21	7.01	6.80	6.50
517-3464-0001	3464-0001	B	40	Card-Edge to Flat Cable	7.91	7.69	7.30	7.14
517-3403-0001	3403-0001	B	64	Card-Edge to Flat Cable	11.04	10.73	10.25	9.96
<b>With Slotted Mounting Flanges</b>								
517-3358-0002	3358-0002	C	10	Card-Edge to Flat Cable	4.28	4.11	3.99	3.87
517-3368-0002	3368-0002	C	16	Card-Edge to Flat Cable	5.26	5.05	4.90	4.75
517-3461-0002	3461-0002	C	20	Card-Edge to Flat Cable	5.58	5.35	5.19	5.04
517-3462-0002	3462-0002	C	26	Card-Edge to Flat Cable	6.77	6.58	6.30	6.11
517-3463-0002	3463-0002	C	34	Card-Edge to Flat Cable	7.21	7.01	6.80	6.50

## CARD-EDGE ACCESSORIES

RoHS compliant per 3M documentation

RoHS Compliant

For quantities of 200 and up, call for quote.

MOUSER STOCK NO.	3M Part No.	Fig.	Description	Price Each			
				1	25	50	100
<b>Strain Reliefs</b>							
517-3448-52	3448-52	D	10 Pin Strain Relief	2.43	2.04	1.95	1.84
517-3448-54	3448-54	D	20 Pin Strain Relief	2.00	1.68	1.57	1.52
517-3448-55	3448-55	D	26 Pin Strain Relief	6.61	6.59	6.45	5.95
517-3448-56	3448-56	D	34 Pin Strain Relief	1.46	1.22	1.16	1.10
<b>Plug Tabs</b>							
517-3490-1	3490-1	E	For 10 pin card-edge connectors	.21	.20	.19	.18
517-3490-2	3490-2	E	For 16P and 20P card-edge connectors	.25	.23	.22	.21
517-3490-3	3490-3	E	For 26P card-edge connectors	.29	.27	.25	.25
517-3490-4	3490-4	E	For 34P and 40P card-edge connectors	.37	.34	.33	.32
517-3490-6	3490-6	E	For 60P and 64P card-edge connectors	.66	.60	.58	.56
<b>Keying Plug</b>							
517-3439-2	3439-2	F	Keying Plug for polarization or keying	.20	.19	.18	.17

## 7E50 SERIES COMPACTFLASH™ TYPE II CARD HEADERS - SURFACE MOUNT

### Features:

- RoHS Compliant per 3M documentation
- Mates with CompactFlash™ Type I and Type II cards
- Meets CFA standards for known compatibility and reliability
- Extended guide rails enable accurate and easy card insertion
- Guide rail ESD clip contacts board ground pads
- Single row surface mount solder tails facilitate auto placement and IR soldering
- Insulation Material: High Temperature Thermoplastic
- Flammability: UL94V-0
- Contact Material: Copper Alloy
- Current Rating: 0.5 A
- Insulation Resistance: 10<sup>9</sup> MΩ min. at 500VDC
- Withstanding Voltage: 500 VAC for 1 minute
- Temperature Rating: -40°C to +85°C
- Process Rating: Maximum 260°C (per J-STD-020C)



RoHS Compliant

For quantities of 100 and up, call for quote.

MOUSER STOCK NO.	3M Part No.	Fig.	Type	Plating	Board Standoff	Price Each		
						1	25	50
<b>With Metal Brace</b>								
517-N7E50-M516B-40-WF	N7E50-M516RB-40-WF	G	Normal Type	30µ" Gold	-	4.27	3.90	3.69
517-N7E50-M516B-50-WF	N7E50-M516RB-50-WF	G	Normal Type	30µ" Gold	2.00 mm	4.27	3.90	3.67
517-N7E50-N56B-4-W	N7E50-N516RB-40-WF	G	Inverse Type	30µ" Gold	-	4.44	4.05	3.83
517-N7E50-N516B-50-WF	N7E50-N516RB-50-WF	G	Inverse Type	30µ" Gold	2.00 mm	3.97	3.69	3.49
<b>Without Metal Brace</b>								
517-N7E50-Q516B-40-WF	N7E50-Q516RB-40-WF	H	Normal Type	30µ" Gold	-	4.33	3.95	3.74
517-N7E50-Q516B-50-WF	N7E50-Q516RB-50-WF	H	Normal Type	30µ" Gold	2.00 mm	4.16	3.80	3.60
517-N7E50-R516B-50-WF	N7E50-R516RB-50-WF	H	Inverse Type	30µ" Gold	2.00 mm	4.16	3.79	3.59
<b>Ejectors</b>								
517-7E50-B716-05	7E50-B716-05	I	CFII NRIL Latching			3.52	2.83	2.39
517-7E50-B516-05	7E50-B516-05	J	CFII Dual Push			2.80	2.24	2.16
517-N7E50N516RB40WFA	N7E50-N516RB-40-WFA	K	CFII HDR w/Attached Eject			7.39	7.04	6.69
<b>Accessories</b>								
517-7E50-B316-04	7E50-B316-04	-	Ejector Button Assembly			1.29	1.09	1.00

## SD™ AND MICROSD™ CONNECTORS

### Features:

- Low Profile
- Smooth push-push eject mechanism
- Card Polarization
- Card detect indicator
- Metal-shielded cover

### Specifications:

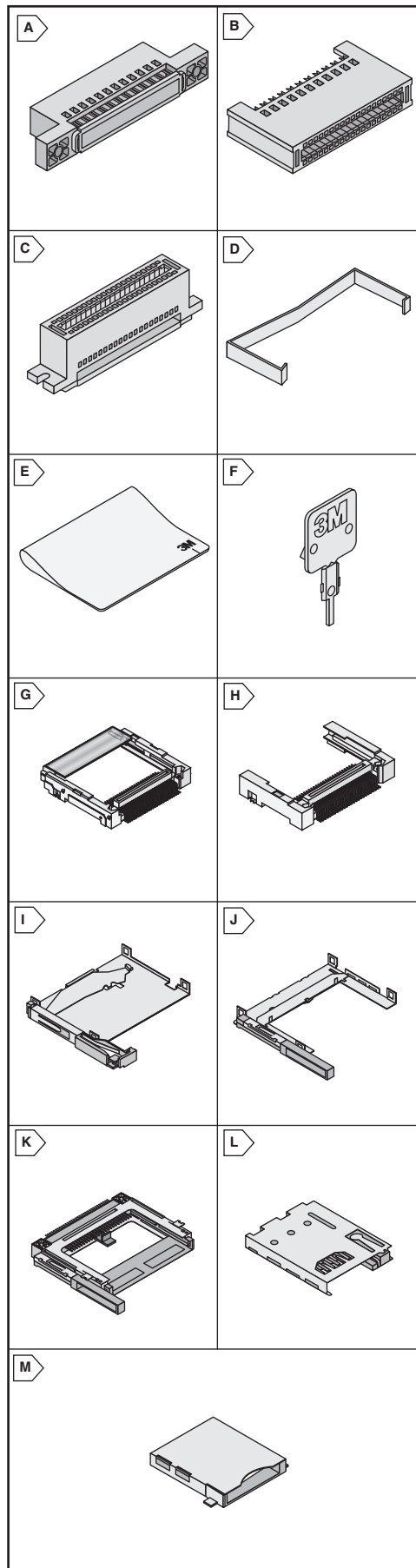
- High Temperature Thermoplastic
- Flammability: UL 94V-0
- Contact Material: Copper Alloy
- Current Rating: 0.5A
- RoHS compliant per 3M documentation



RoHS Compliant

For quantities of 100 and up, call for quote.

MOUSER STOCK NO.	3M Part No.	Fig.	Description	Price Each		
				1	25	50
517-2908-05WB-MG	2908-05WB-MG	L	microSD™, 8P Surface Mount	1.19	1.03	1.00
517-SD-RSMT-2-MQ	SD-RSMT-2-MQ	M	SD™, Right Angle Surface Mount	1.30	1.19	1.09



Backplane/Card Edge 3M