

HIROSE Circular Connectors



HIROSE ELECTRIC CO., LTD.

This product is RoHS compliant.

HR30 SERIES MINIATURE WATERPROOF PLASTIC CONNECTORS

Specifications:

- Gold Plating

Plugs

For quantities of 100 and up, call for quote.

MOUSER STOCK NO.	Hirose Part No.	Fig.	Type	No. of Contacts	Shell Size	Connector Type	Termination Style	Price Each		
								1	10	50
Cable Diameter 4.2 to 5mm										
798-HR30-6P-3S71	HR30-6P-3S(71)	A	Female	3	6	Cable	Solder	11.29	9.82	8.83
798-HR30-6P-6S71	HR30-6P-6S(71)	A	Female	6	6	Cable	Solder	7.38	6.24	5.25
798-HR30-6P-6P71	HR30-6P-6P(71)	A	Male	6	6	Cable	Solder	8.52	7.21	6.06
Cable Diameter 6.2 to 7mm										
798-HR30-7P-10SC71	HR30-7P-10SC(71)	A	Female	10	7	Cable	Crimp	6.68	5.65	4.74
798-HR30-7P-12SC71	HR30-7P-12SC(71)	A	Female	12	7	Cable	Crimp	6.68	5.65	4.74
798-HR30-7P-12S71	HR30-7P-12S(71)	A	Female	12	7	Cable	Solder	9.77	8.50	7.65
798-HR30-8P-12PC71	HR30-8P-12PC(71)	A	Male	12	8	Cable	Crimp	6.68	5.65	4.74
798-HR30-8P-12P71	HR30-8P-12P(71)	A	Male	12	8	Cable	Solder	9.29	8.08	7.27
Cable Diameter 3.5 to 4.3mm										
798-HR30-6PA-3S71	HR30-6PA-3S(71)	A	Female	3	6	Cable	Solder	11.29	9.82	8.83
798-HR30-6PA-6S71	HR30-6PA-6S(71)	A	Female	6	6	Cable	Solder	7.38	6.24	5.25
798-HR30-6PA-6P71	HR30-6PA-6P(71)	A	Male	6	6	Cable	Solder	8.52	7.21	6.06

Jacks

For quantities of 100 and up, call for quote.

MOUSER STOCK NO.	Hirose Part No.	Fig.	Type	No. of Contacts	Shell Size	Connector Type	Termination Style	Price Each		
								1	10	50
Cable Diameter 4.2 to 5mm										
798-HR30-6J-6P71	HR30-6J-6P(71)	B	Male	6	6	Cable	Solder	7.90	6.68	5.62
Cable Diameter 6.2 to 7mm										
798-HR30-7J-10PC71	HR30-7J-10PC(71)	B	Male	10	7	Cable	Crimp	7.04	5.83	4.86
798-HR30-7J-12P71	HR30-7J-12P(71)	B	Male	12	7	Cable	Solder	9.40	8.18	7.36
798-HR30-7J-12PC71	HR30-7J-12PC(71)	B	Male	12	7	Cable	Crimp	7.04	5.83	4.86
798-HR30-8J-12S71	HR30-8J-12S(71)	B	Female	12	8	Cable	Solder	9.33	8.12	7.30
798-HR30-8J-12SC71	HR30-8J-12SC(71)	B	Female	12	8	Cable	Crimp	7.04	5.83	4.86
Cable Diameter 3.5 to 4.3mm										
798-HR30-6JA-6P71	HR30-6JA-6P(71)	B	Male	6	6	Cable	Solder	7.77	6.57	5.52

Receptacles

For quantities of 100 and up, call for quote.

MOUSER STOCK NO.	Hirose Part No.	Fig.	Type	No. of Contacts	Shell Size	Connector Type	Termination Style	Price Each		
								1	10	50
798-HR30-6R-6S71	HR30-6R-6S(71)	C	Female	6	6	Panel	Solder	7.80	6.60	5.54
798-HR30-6R-3P71	HR30-6R-3P(71)	C	Male	3	6	Panel	Solder	8.71	7.37	6.19
798-HR30-6R-6P71	HR30-6R-6P(71)	C	Male	6	6	Panel	Solder	6.76	5.72	4.80
798-HR30-6R-6PD71	HR30-6R-6PD(71)	C	Male	6	6	Panel	PCB	4.48	4.31	4.16
798-HR30-6R-6SD71	HR30-6R-6SD(71)	C	Female	6	6	Panel	PCB	6.76	5.67	5.05
798-HR30-7R-10PC71	HR30-7R-10PC(71)	C	Male	10	7	Panel	Crimp	5.59	4.63	3.86
798-HR30-7R-12P71	HR30-7R-12P(71)	C	Male	12	7	Panel	Solder	9.33	7.89	6.64
798-HR30-7R-12PC71	HR30-7R-12PC(71)	C	Male	12	7	Panel	Crimp	5.59	4.63	3.86
798-HR30-8R-12S71	HR30-8R-12S(71)	C	Female	12	8	Panel	Solder	8.83	7.68	6.91
798-HR30-8R-12SC71	HR30-8R-12SC(71)	C	Female	12	8	Panel	Crimp	5.59	4.63	3.86
798-HR30-7R-12PD71	HR30-7R-12PD(71)	C	Male	12	7	Panel	PCB	9.62	8.11	6.79
798-HR30-8R-12SD71	HR30-8R-12SD(71)	C	Female	12	8	Panel	PCB	8.83	7.68	6.91

CONTACTS

For quantities greater than listed, call for quote.

MOUSER STOCK NO.	Description	Price Each			MOUSER STOCK NO.	Reel Quantity	Price Each
		1	10	50			
Mfr. Mfr. Part Number					Mfr. Mfr. Part Number		
798—HR30-PC-111	Male, Gold, 26-30 AWG	.45	.31	.242	798—HR30-PC-211	10000	.083
798—HR30-SC-111	Female, Gold, 26-30 AWG	.46	.318	.247	798—HR30-SC-211	10000	.083

ACCESSORIES

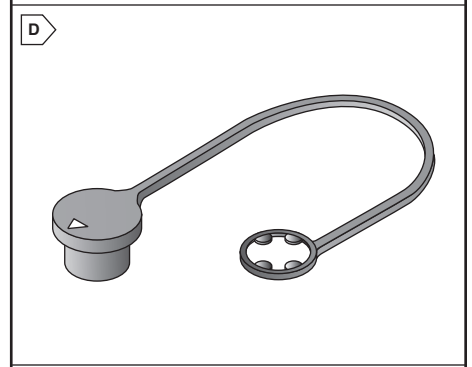
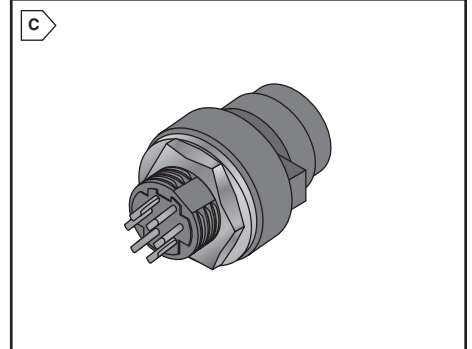
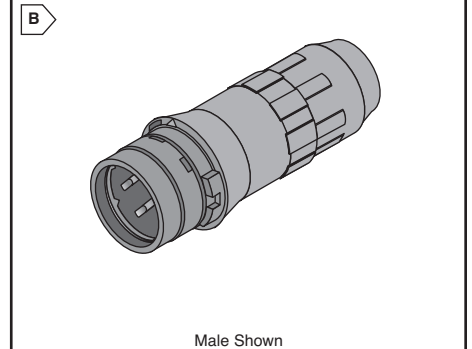
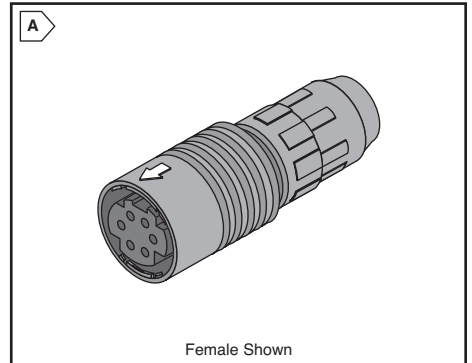
For quantities of 100 and up, call for quote.

MOUSER STOCK NO.	Hirose Part No.	Fig.	Description	Price Each		
				1	10	50
Caps for Plugs						
798-HR30-6P-C71	HR30-6P-C(71)	D	Cap for Shell Size 6 dia.	2.63	2.18	1.82
798-HR30-7P-C71	HR30-7P-C(71)	D	Cap for Shell Size 7 dia.	2.63	2.18	1.82
798-HR30-8P-C71	HR30-8P-C(71)	D	Cap for Shell Size 8 dia.	2.63	2.18	1.82
Caps for Receptacles						
798-HR30-6R-C71	HR30-6R-C(71)	E	Cap for Shell Size 6 dia.	2.63	2.18	1.82
798-HR30-7R-C71	HR30-7R-C(71)	E	Cap for Shell Size 7 & 8 dia.	2.63	2.18	1.82

TOOLS

For quantities of 5 and up, call for quote.

MOUSER STOCK NO.	Hirose Part No.	Description	Price Each
798-HR30-6R-6P-T01	HR30-6R-6P-T01	Wiring Jig for Receptacle / Jack	218.12
798-HR30-8P-T02	HR30-8P-T02	Tightening Collar 10P, 12P Backshell	145.60
798-HR30-TP	HR30-TP	Extraction Tool	1.15
798-HR30-6P-3S-T01	HR30-6P-3S-T01	Solder Fixture for HR30-6P-3S, PA-3S	218.12
798-HR30-6P-3P-T01	HR30-6P-3P-T01	Solder Fixture for HR30-6P-3P	218.12
798-HR30-6P-6P-T01	HR30-6P-6P-T01	Solder Fixture for HR30-6P-6P, PA-6P	218.12
798-HR30-6R-6S-T01	HR30-6R-6S-T01	Solder Fixture for HR30-6R-6S	218.12
798-HR30-7P-10SC-T01	HR30-7P-10SC-T01	Solder Fixture for HR30-7P-10SC	218.12
798-HR30-7P-12SC-T01	HR30-7P-12SC-T01	Solder Fixture for HR30-7P-12S, 7P-12SC	218.12
798-HR30-7J-10PC-T01	HR30-7J-10PC-T01	Solder Fixture for HR30-7J-10PC	220.78
798-HR30-7J-12PC-T01	HR30-7J-12PC-T01	Solder Fixture for HR30-7J-12PC	232.75
798-HR30-8J-12SC-T01	HR30-8J-12SC-T01	Solder Fixture for HR30-8J-12SC	218.12
798-HR30-8P-12PC-T01	HR30-8P-12PC-T01	Solder Fixture for HR30-8P-12P, 8P-12PC	232.75



NEW SUPPLIER NEW SUPPLIER Circular Connectors Hirose NEW SUPPLIER NEW SUPPLIER