

# HIROSE Circular Connectors



This product is RoHS compliant.



Shell Size	LF07		LF10		LF13	
Contact Configuration						
No. of Contacts	3	6	4	12	11	20

## LF SERIES MINIATURE WATERPROOF SHIELDED CONNECTORS

All components are self-aligning and do not require complex assembly tooling. The shield of the cable is connected using a simple shielding clamp, supplied with the connector with the metal housing of the connector.



RoHS Compliant

### Features:

- Short turn bayonet lock
- Contact Plating: Gold
- IP67

### Applications:

- Sensors
- Robots
- Factory Automation
- Medical
- Surveillance
- Surveying Instruments

### Plugs

For quantities of 250 and up, call for quote.

MOUSER STOCK NO.	Hirose Part No.	Fig.	Shell Size	No. of Contacts	Current Rating	Contact Gender	Price Each			
							1	10	50	100
798-LF07WBP-6S	LF07WBP-6S	A	7	6	2A	Female	13.18	12.40	11.23	10.85
798-LF07WBP-6P	LF07WBP-6P	A	7	6	2A	Male	12.90	12.14	11.00	10.62
798-LF07WBP-3S	LF07WBP-3S	A	7	3	5A	Female	13.29	12.51	11.33	10.94
798-LF07WBP-3P	LF07WBP-3P	A	7	3	5A	Male	13.29	12.51	11.33	10.94
798-LF10WBP-4S	LF10WBP-4S	A	10	4	10A	Female	14.72	13.85	12.55	12.12
798-LF10WBP-4P	LF10WBP-4P	A	10	4	10A	Male	14.71	13.84	12.54	12.11
798-LF10WBP-12S	LF10WBP-12S	A	10	12	2A	Female	16.66	15.68	14.21	13.72
798-LF10WBP-12P	LF10WBP-12P	A	10	12	2A	Male	16.15	15.20	13.77	13.30
798-LF13WBP-20S	LF13WBP-20S	A	13	20	2A	Female	19.80	19.14	17.82	17.16
798-LF13WBP-20P	LF13WBP-20P	A	13	20	2A	Male	19.05	18.41	17.14	16.51
798-LF13WBP-11S	LF13WBP-11S	A	13	11	10A / 2A	Female	19.65	18.99	17.68	17.03
798-LF13WBP-11P	LF13WBP-11P	A	13	11	10A / 2A	Male	19.50	18.85	17.55	16.90

### Receptacles

For quantities of 250 and up, call for quote.

MOUSER STOCK NO.	Hirose Part No.	Fig.	Shell Size	No. of Contacts	Current Rating	Contact Gender	Price Each			
							1	10	50	100
798-LF07WBR-6S	LF07WBR-6S	B	7	6	2A	Female	8.40	7.30	6.57	5.84
798-LF07WBR-6P	LF07WBR-6P	B	7	6	2A	Male	8.05	7.00	6.30	5.60
798-LF07WBR-3S	LF07WBR-3S	B	7	3	5A	Female	8.21	7.14	6.42	5.71
798-LF07WBR-3P	LF07WBR-3P	B	7	3	5A	Male	8.21	7.14	6.42	5.71
798-LF10WBR-4S	LF10WBR-4S	B	10	4	10A	Female	9.48	8.24	7.41	6.59
798-LF10WBR-4P	LF10WBR-4P	B	10	4	10A	Male	9.48	8.24	7.41	6.59
798-LF10WBR-12S	LF10WBR-12S	B	10	12	2A	Female	10.80	9.99	8.96	8.37
798-LF10WBR-12P	LF10WBR-12P	B	10	12	2A	Male	10.18	9.41	8.44	7.88
798-LF13WBR-20S	LF13WBR-20S	B	13	20	2A	Female	12.89	12.12	10.99	10.61
798-LF13WBR-20P	LF13WBR-20P	B	13	20	2A	Male	14.00	12.95	11.62	10.85
798-LF13WBR-11S	LF13WBR-11S	B	13	11	10A / 2A	Female	14.84	13.72	12.31	11.50
798-LF13WBR-11P	LF13WBR-11P	B	13	11	10A / 2A	Male	14.50	13.41	12.03	11.23

### Jacks

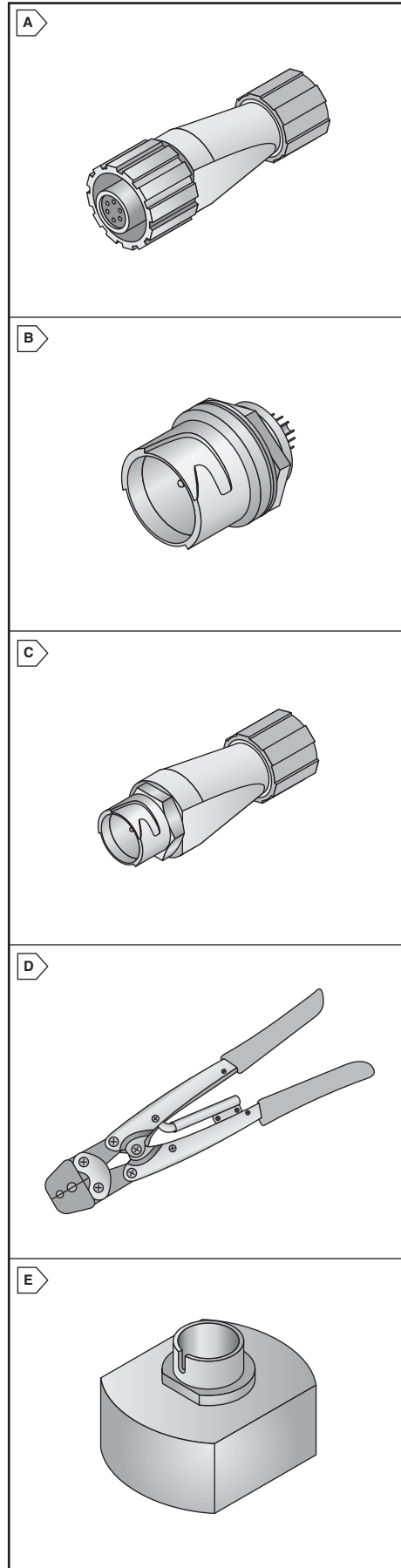
For quantities of 250 and up, call for quote.

MOUSER STOCK NO.	Hirose Part No.	Fig.	Shell Size	No. of Contacts	Current Rating	Contact Gender	Price Each			
							1	10	50	100
798-LF07WBJ-6S	LF07WBJ-6S	C	7	6	2A	Female	14.16	13.09	11.75	10.97
798-LF07WBJ-6P	LF07WBJ-6P	C	7	6	2A	Male	13.86	12.82	11.50	10.74
798-LF07WBJ-3S	LF07WBJ-3S	C	7	3	5A	Female	14.00	12.95	11.62	10.85
798-LF07WBJ-3P	LF07WBJ-3P	C	7	3	5A	Male	14.00	12.95	11.62	10.85
798-LF10WBJ-4S	LF10WBJ-4S	C	10	4	10A	Female	13.13	12.54	11.36	10.97
798-LF10WBJ-4P	LF10WBJ-4P	C	10	4	10A	Male	13.29	12.51	11.33	10.94
798-LF10WBJ-12S	LF10WBJ-12S	C	10	12	2A	Female	15.30	14.40	13.05	12.60
798-LF10WBJ-12P	LF10WBJ-12P	C	10	12	2A	Male	14.71	13.84	12.54	12.11
798-LF13WBJ-20S	LF13WBJ-20S	C	13	20	2A	Female	18.00	17.40	16.20	15.60
798-LF13WBJ-20P	LF13WBJ-20P	C	13	20	2A	Male	16.95	16.38	15.25	14.69
798-LF13WBJ-11S	LF13WBJ-11S	C	13	11	10A / 2A	Female	17.40	16.82	15.66	15.08
798-LF13WBJ-11P	LF13WBJ-11P	C	13	11	10A / 2A	Male	17.25	16.67	15.52	14.95

### Tools and Accessories

For quantities of 10 and up, call for quote.

MOUSER STOCK NO.	Hirose Part No.	Fig.	Description	Price Each
<b>Hand Tool</b>				
798-LF-TC-01	LF-TC-01	D	Cable clamp tool crimp 7.3-8.7 diameter cable	578.55
<b>Solder Termination Fixtures</b>				
798-LF07BP-T01	LF07BP-T01	E	Solder fixture for LF07WBP-6S, 6P, 3S, 3P	23.22
798-LF07BJ-T01	LF07BJ-T01	E	Solder fixture for LF07WBJ-6S, 6P, 3S, 3P	57.86
798-LF10BP-T01	LF10BP-T01	E	Solder fixture for LF10WBP-4S, 4P, 12S, 12P	23.22
798-LF10BJ-T01	LF10BJ-T01	E	Solder fixture for LF10WBJ-4S, 4P, 12S, 12P	57.86
798-LF13BP-T01	LF13BP-T01	E	Solder fixture for LF13WBP-20SP, 11SP	23.22
798-LF13BJ-T01	LF13BJ-T01	E	Solder fixture for LF13WBJ-20SP, 11SP	57.86



NEW SUPPLIER

NEW SUPPLIER

Circular Connectors

Hirose

NEW SUPPLIER

NEW SUPPLIER