

# AMPHENOL Circular Connectors

Amphenol®

## ENVIRONMENTAL CIRCULAR CONNECTORS, SERIES 44

This product is RoHS compliant.

44 Series associates easy assembly with high performance at an inexpensive price. These connectors are also vibration resistant and field proven in rugged applications.

### Features:

- Poke-Home® crimp contacts
- One piece water resistant design (IP65)
- Housings made from santoprene thermoplastic rubber
- Contacts sold separate from housings

### Specifications:

- Temperature Range: -40°C to +125°C
  - Wire Outer Diameter: .080" to .130"
  - Mated Length: 2.174"
  - Contact Plating: Silver
- For quantities of 250 and up, call for quote.

MOUSER STOCK NO.	Amphenol Part No.	Fig.	No. of Contacts	Voltage	Current	AWG Size	Price Each			
							1	10	25	100
<b>Plug Housings</b>										
523-44-103-10002	044 103 10002	A	2	250VAC RMS	8A	14, 16 & 18	2.38	2.18	2.02	1.87
523-44-103-10003	044 103 10003	A	3	250VAC RMS	8A	14, 16 & 18	2.80	2.57	2.37	2.20
523-44-103-10004	044 103 10004	A	4	250VAC RMS	8A	14, 16 & 18	3.75	3.43	3.17	2.94
523-44-103-10005	044 103 10005	A	5	250VAC RMS	8A	14, 16 & 18	1.55	1.42	1.31	1.21
523-44-103-10006	044 103 10006	A	6	250VAC RMS	8A	14, 16 & 18	3.87	3.55	3.28	3.04
<b>Receptacle Housings</b>										
523-44-104-10002	044 104 10002 02	B	2	250VAC RMS	8A	14, 16 & 18	2.87	2.63	2.43	2.26
523-44-104-10003	044 104 10003 02	B	3	250VAC RMS	8A	14, 16 & 18	3.38	3.10	2.86	2.66
523-44-104-10004	044 104 10004 02	B	4	250VAC RMS	8A	14, 16 & 18	3.53	3.23	2.98	2.77
523-44-104-10005	044 104 10005 02	B	5	250VAC RMS	8A	14, 16 & 18	2.93	2.68	2.48	2.30
523-44-104-10006	044 104 10006 02	B	6	250VAC RMS	8A	14, 16 & 18	4.15	3.80	3.51	3.26
<b>Plug Housings - Low Insertion Force</b>										
523-44-103-99-899	044 103 99 899	A	2	250VAC RMS	8A	14, 16 & 18	1.72	1.57	1.44	1.32
523-44-103-10302	044 103 10302	A	2	250VAC RMS	8A	14, 16 & 18	1.77	1.62	1.49	1.37
523-44-103-10303	044 103 10303	A	3	250VAC RMS	8A	14, 16 & 18	1.72	1.57	1.44	1.32
523-44-103-10305	044 103 10305	A	5	250VAC RMS	8A	14, 16 & 18	2.02	1.84	1.70	1.56
523-44-103-10306	044 103 10306	A	6	250VAC RMS	8A	14, 16 & 18	2.70	2.47	2.27	2.08
<b>Receptacle Housings - Low Insertion Force</b>										
523-44-104-99-899	044 104 99 899	B	2	250VAC RMS	8A	14, 16 & 18	2.00	1.83	1.68	1.54
523-44-104-10302	044 104 10302	B	2	250VAC RMS	8A	14, 16 & 18	1.87	1.71	1.57	1.44
523-44-104-10304	044 104 10304	B	4	250VAC RMS	8A	14, 16 & 18	2.25	2.05	1.89	1.73
523-44-104-10305	044 104 10305	B	5	250VAC RMS	8A	14, 16 & 18	2.25	2.05	1.89	1.73
523-44-104-10306	044 104 10306	B	6	250VAC RMS	8A	14, 16 & 18	2.45	2.24	2.06	1.89

### Contacts - Bag of 100

MOUSER STOCK NO.	Amphenol Part No.	Fig.	Description	Price Per Bag	
				1	5
523-1414P-100	044 100 1414P 100 101	C	Pin Contact for Receptacle	47.55	41.21
523-1414S-100	044 102 1414S 100 101	D	Socket Contact for Plug	89.71	77.75

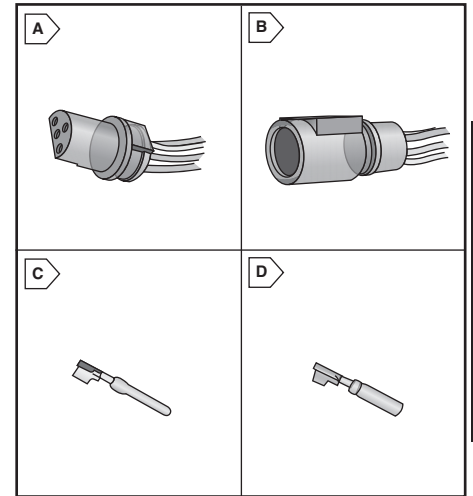
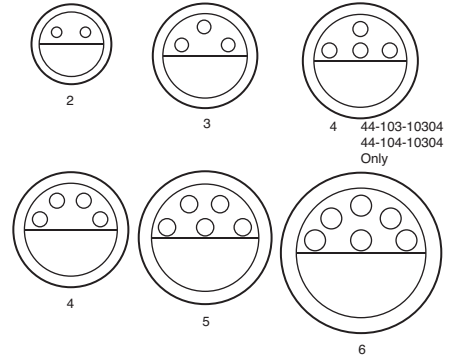
### Contacts - Single

MOUSER STOCK NO.	Amphenol Part No.	Fig.	Description	Price Each		
				1	50	100
523-1414P	044 100 1414P 1000	C	Socket Contact for Plug	.22	.21	.20
523-1414S	044 102 1414S 1000	D	Socket Contact for Plug	.61	.55	.53

### Tools

MOUSER STOCK NO.	Amphenol Part No.	Fig.	Description	Price Each
523-357-588	357-588	-	Crimp Tool	371.46
523-356-258	356-258	-	Insertion Tool	113.32
523-356-259	356-259	-	Pin Extractor	113.32

### Insert Configurations

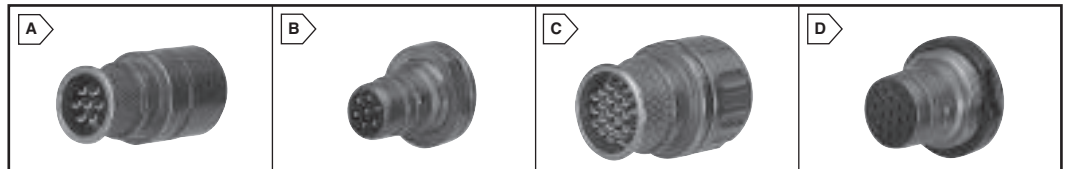


Circular Connectors Amphenol

## MINIATURE PUSH-PULL CIRCULAR CONNECTORS

### PPS (Push Pull Series)

- IP67 unmated; IP64 mated
- Small outside diameter
- 1000 matings



MOUSER STOCK NO.	Amphenol Part No.	Fig.	Description	Price Each		
				1	5	10
523-PPS06T0507PN001	PPS06T0507PN001976	A	Plug, threaded, ungrounded, shell SZ 5, 7 contacts, 6.3mm parallel ferrule; Black/Silver	56.82	52.08	45.96
523-PPS07A0507SN001	PPS07A0507SN001416	B	Jam nut receptacle, plain shell SZ 5, 7 PCB contacts; Electroless nickel body and panel nut	34.45	31.58	27.87
523-PPS07A0507SN002	PPS07A0507SN002416	B	Jam nut receptacle, plain shell SZ 5, 7 solder bucket contacts; Electroless nickel body	39.27	36.00	31.76

### SCE (Snatch Connector Electrical Series)

- Silent push/pull to mate and unmate
- IP68 mated and unmated
- 2000 mating cycles
- Proprietary Thermoplastic Polyester Elastomer

MOUSER STOCK NO.	Amphenol Part No.	Fig.	Description	Price Each		
				1	5	10
523-SCEB76A0607SN001	SCEB76A0607SN001	C	Rear mount jam nut plug; SZ 6, 7 PCB socket contacts; Black/Silver	56.73	52.00	45.88
523-SCEB76A0607SN002	SCEB76A0607SN002	C	Rear mount jam nut plug; SZ 6, 7 solder bucket socket contacts; Black/Silver	56.73	52.00	45.88
523-SCEB76A0714SN001	SCEB76A0714SN001	C	Rear mount jam nut plug; SZ 7, 14 PCB socket contacts; Black/Silver	79.20	72.60	64.06
523-SCEB76A0714SN002	SCEB76A0714SN002	C	Rear mount jam nut plug; SZ 7, 14 solder bucket socket contacts; Black/Silver	77.47	71.02	62.66
523-SCEB76A0819SN001	SCEB76A0819SN001	C	Rear mount jam nut plug; SZ 8, 19 PCB socket contacts; Black/Silver	97.44	89.32	78.81
523-SCEB76A0819SN002	SCEB76A0819SN002	C	Rear mount jam nut plug; SZ 8, 19 solder bucket socket contacts; Black/Silver	114.35	104.82	92.49
523-SCEB01K0607PN	SCEB01K0607PN	D	Receptacle; Snatch with integral backshell, SZ 6, 7 contact pins; fully grounded	66.95	61.37	54.15
523-SCEB01K0714PN	SCEB01K0714PN	D	Receptacle; Snatch with integral backshell, SZ 7, 14 contact pins; fully grounded	75.22	68.95	60.84
523-SCEB01K0819PN	SCEB01K0819PN	D	Receptacle; Snatch with integral backshell, SZ 8, 19 contact pins; fully grounded	87.13	79.87	70.47
523-SCEBL1K0607PN	SCEBL1K0607PN	D	Receptacle; Latch with integral backshell, SZ 6, 7 contact pins	63.44	58.15	51.31
523-SCEBL1K0714PN	SCEBL1K0714PN	D	Receptacle; Latch with integral backshell, SZ 7, 14 contact pins	65.78	60.30	53.21
523-SCEBL1K0819PN	SCEBL1K0819PN	D	Receptacle; Latch with integral backshell, SZ 8, 19 contact pins	68.53	62.82	55.43

## ENVIRONMENTALLY SEALED IN-LINE JUNCTIONS

Consist of compact, cylindrical plug and receptacle housings which lock firmly together with a straight push and unlock with either a "twist and pull" (single) or "squeeze and pull" (triple).

For quantities of 50 and up, call for quote.

MOUSER STOCK NO.	Amphenol Part No.	Fig.	Description	Dia. (In.)	Mated Lgth (In.)	Price Each		
						1	10	25
523-SJS716100	SJS716100	-	Single splice plug, size 16, Blue	0.39	1.65	11.24	10.30	9.51
523-SJS716110	SJS716110	-	Single splice plug, size 16; Red	0.39	1.65	10.35	9.30	8.55
523-SJS716200	SJS716200	A	Single splice receptacle, size 16, Blue	0.43	1.65	9.55	8.75	8.08
523-SJS816100	SJS816100	-	Triple splice plug, size 16, Red	0.70	1.60	14.10	12.82	10.85
523-SJS816110	SJS816110	-	Triple splice plug, size 16, White	0.70	1.60	14.10	12.82	10.85
523-SJS816210	SJS816210	B	Triple splice receptacle, size 16, White	0.70	1.60	12.66	11.51	9.74
523-SJS820100	SJS820100	-	Triple splice plug, size 20, Red	0.70	1.68	14.10	12.82	10.85
523-SJS820120	SJS820120	-	Triple splice plug, size 20, Blue	0.70	1.68	14.10	12.82	10.85
523-SJS820200	SJS820200	B	Triple splice receptacle, size 20, Red	0.70	1.68	12.66	11.51	9.74

