

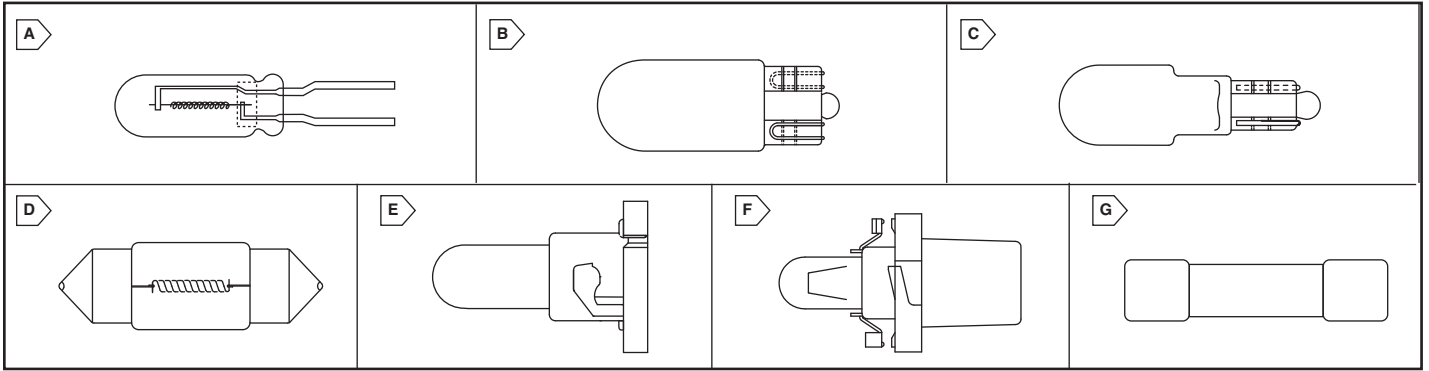
# JKL COMPONENTS White Lamps and Accessories



Products may be RoHS compliant.  
Check mouser.com for RoHS status.

Illumination

JKL Components



## GAS FILLED GLASS BI-PIN WHITE LIGHT BULB

For quantities of 250 and up, call for quote.

560-XE2405	XE2405	A	2 Bi-Pin	24	0.208	20.0	7.0	3.2	40.0	10000	2.38	2.14	1.90	1.66
560-XE2410	XE2410	A	2 Bi-Pin	24	0.417	20.0	7.0	7.6	95.0	10000	2.38	2.14	1.90	1.66

## GAS FILLED GLASS WEDGE BASE WHITE LIGHT BULB

For quantities of 250 and up, call for quote.

560-XE112	XE112	B	T-3 1/4	12	0.270	26.8	10.3	3.0	37.6	1000	1.50	1.35	1.20	1.05
560-XE359	XE359	B	T-3 1/4	14	0.214	26.8	10.3	2.0	25.0	10000	1.50	1.35	1.20	1.05
560-XE659	XE659	B	T-3 1/4	28	0.220	26.8	10.3	4.38	55.0	5000	1.50	1.35	1.20	1.05

## GLASS WEDGE HI-BRIGHT INCANDESCENT

For quantities of 250 and up, call for quote.

560-EWG103	EWG103	C	T-1 1/2	14	0.220	16.5	6.8	1.7	21.32	1500	.73	.65	.58	.51
560-EWG203	EWG203	C	T-1 1/2	14	0.115	16.5	6.8	0.9	11.31	1500	.73	.65	.58	.51

## FESTOON INCANDESCENT LAMPS

For quantities of 250 and up, call for quote.

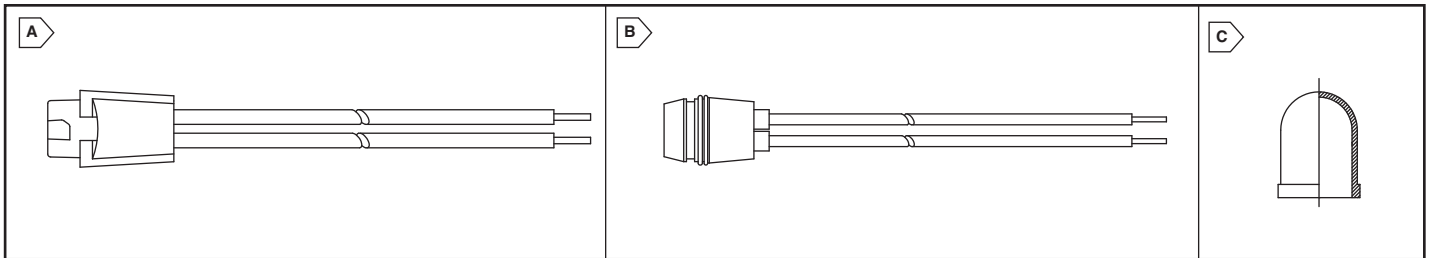
560-A3173B	A3173B	D	Axial	12	0.620	30.0	10.0	6.0	75	400	1.03	.92	.82	.72
560-A3175B	A3175B	D	Axial	12	0.770	30.0	10.0	9.5	120	400	1.03	.92	.82	.72

## NEO-WEDGE INCANDESCENT LAMPS

For quantities of 250 and up, call for quote.

560-CNW123	CNW1-23	E	T-1	14	0.040	9.0	3.0	0.15	1.89	16000	.65	.59	.52	.46
560-DNW1DW10	DNW1-DW10	E	T-1 1/4	14	0.100	14.0	4.2	0.50	5.29	10000	.63	.56	.50	.44
560-ENW1EW87	ENW1-EW87	E	T-1 1/2	14	0.140	14.5	4.7	0.95	12.00	7000	.88	.79	.70	.61
560-WWT1EW10	WWT1-EW101GRN	F	PCB mount	14	0.100	21.9	4.7	0.50	6.29	6000	.75	.68	.60	.53
560-GF550	GF550	G	fuse style	6	0.200	31.0	6.4	0.40	5.03	5000	1.03	.92	.82	.72
560-GF780	GF780	G	fuse style	12	0.150	31.0	6.4	0.70	9.00	5000	1.03	.92	.82	.72

## ACCESSORIES



### Sockets for T-1 1/2 Glass Wedge Bulbs

For quantities of 1000 and up, call for quote.

MOUSER STOCK NO.	JKL Components Part No.	Fig.	Description	Price Each			
				1	10	50	100
560-2967-6G	2967-6G	A	6 inch leads	.65	.59	.52	.46
560-2948	2948	B	6 inch leads	.97	.86	.78	.71

### Color Filters for T-1 3/4 Bulbs

For quantities of 1000 and up, call for quote.

MOUSER STOCK NO.	JKL Components Part No.	Fig.	Description	Price Each			
				1	10	50	100
560-39081A	39-08-1A	C	Red	.20	.18	.16	.14
560-39085A	39-08-5A	C	Blue	.20	.18	.16	.14
560-39084A	39-08-4A	C	Green	.20	.18	.16	.14
560-39083A	39-08-3A	C	Yellow	.20	.18	.16	.14

### Color Filters for T-1 Bulbs

For quantities of 1000 and up, call for quote.

MOUSER STOCK NO.	JKL Components Part No.	Fig.	Description	Price Each			
				1	10	50	100
560-39021A	39-02-1A	C	Red	.20	.18	.16	.14
560-39025A	39-02-5A	C	Blue	.20	.18	.16	.14
560-39024A	39-02-4A	C	Green	.20	.18	.16	.14
560-39023A	39-02-3A	C	Yellow	.20	.18	.16	.14

### Color Filters for T-3 1/4 Bulbs

For quantities of 1000 and up, call for quote.

MOUSER STOCK NO.	JKL Components Part No.	Fig.	Description	Price Each			
				1	10	50	100
560-39121A	39-12-1A	C	Red	.28	.25	.22	.19
560-39125A	39-12-5A	C	Blue	.28	.25	.22	.19
560-39124A	39-12-4A	C	Green	.28	.25	.22	.19
560-39123A	39-12-3A	C	Yellow	.28	.25	.22	.19