

NORCOMP Stamped Contact D-Sub Connectors



This product is RoHS compliant.

SERIES 171 STAMPED CONTACT D-SUB CONNECTORS - SOLDER CUP

Specifications:

- Nickel Shell
- Insulator: Glass-filled thermoplastic, UL94V-0
- Contacts: Male- Brass Pins; Female- Phosphor Bronze Pins
- Plating: Gold flash on the entire contact

Features:

- RoHS Compliant per NorComp documentation
- Non-removable contacts
- Low cost economy series
- Male nickel shells have indents to provide grounding and additional retention
- High performance, stamped contacts



For quantities of 500 and up, call for quote.

MOUSER STOCK NO.	NorComp Part No.	Fig.	No. of Pos.	Dimensions (In.)					Price Each			
				A	B	C	D	E	1	25	50	100
Male												
636-171-009-103L001	171-009-103L001	A	9	1.213	0.984	0.666	0.756	0.496	.65	.55	.50	.46
636-171-015-103L001	171-015-103L001	A	15	1.543	1.312	0.994	1.091	0.496	.96	.82	.76	.68
636-171-025-103L001	171-025-103L001	A	25	2.087	1.852	1.534	1.618	0.496	1.06	.91	.83	.73
636-171-037-103L001	171-037-103L001	A	37	2.732	2.500	2.181	2.256	0.496	2.02	1.70	1.58	1.38
636-171-050-103L001	171-050-103L001	A	50	2.638	2.406	2.079	2.169	0.602	4.03	3.11	2.96	2.57
Female												
636-171-009-203L001	171-009-203L001	A	9	1.213	0.984	0.666	0.756	0.496	.73	.61	.57	.51
636-171-015-203L001	171-015-203L001	A	15	1.543	1.312	0.994	1.091	0.496	1.17	1.00	.92	.82
636-171-025-203L001	171-025-203L001	A	25	2.087	1.852	1.534	1.618	0.496	1.26	1.06	.98	.86
636-171-037-203L001	171-037-203L001	A	37	2.732	2.500	2.181	2.256	0.496	2.41	2.00	1.87	1.57
636-171-050-203L001	171-050-203L001	A	50	2.638	2.406	2.079	2.169	0.602	4.38	3.37	3.07	2.80

SERIES 171 STAMPED CONTACT D-SUB CONNECTORS - DIP SOLDER

Specifications:

- Shell: Nickel Plated Steel
- Insulator: Glass-filled thermoplastic, UL94V-0
- Contacts: Male- Brass Pins; Female- Phosphor Bronze Pins
- Plating: Gold flash on the entire contact

Features:

- RoHS Compliant per NorComp documentation
- Non-removable contacts
- Male nickel shells have indents to provide grounding and additional retention
- High performance, stamped contacts



For quantities of 500 and up, call for quote.

MOUSER STOCK NO.	NorComp Part No.	Fig.	No. of Pos.	Dimensions (In.)					Price Each			
				A	B	C	D	E	1	25	50	100
Male												
636-171-009-113R001	171-009-113R001	B	9	1.213	0.984	0.666	0.756	0.496	1.10	.93	.85	.75
636-171-015-113R001	171-015-113R001	B	15	1.543	1.312	0.994	1.091	0.496	1.75	1.47	1.37	1.16
636-171-025-113R001	171-025-113R001	B	25	2.087	1.852	1.534	1.618	0.496	2.34	1.91	1.72	1.53
636-171-037-113R001	171-037-113R001	B	37	2.732	2.500	2.181	2.256	0.496	4.25	3.24	3.03	2.66
Female												
636-171-009-213R001	171-009-213R001	B	9	1.213	0.984	0.666	0.756	0.496	1.26	1.06	.98	.86
636-171-015-213R001	171-015-213R001	B	15	1.543	1.312	0.994	1.091	0.496	1.62	1.16	1.06	.93
636-171-025-213R001	171-025-213R001	B	25	2.087	1.852	1.534	1.618	0.496	1.73	1.47	1.35	1.19
636-171-037-213R001	171-037-213R001	B	37	2.732	2.500	2.181	2.256	0.496	2.81	2.21	2.02	1.82

SERIES 180 STAMPED CONTACT D-SUB CONNECTORS - SOLDER CUP HIGH DENSITY

Specifications:

- Shell: Nickel Plated Steel
- Insulator: Glass-filled thermoplastic, UL94V-0
- Contacts: Male - Brass Pins, Female - Phosphor Bronze Pins
- Plating: Gold flash on the entire contact

Features:

- RoHS Compliant per NorComp documentation
- Interfaces with IBM PS/2
- Approximately 65% higher density than standard D-sub
- Connectors will fit in standard D-sub backshells



For quantities of 500 and up, call for quote.

MOUSER STOCK NO.	NorComp Part No.	Fig.	No. of Pos.	Dimensions (In.)					Price Each			
				A	B	C	D	E	1	25	50	100
Male												
636-180-015-103L001	180-015-103L001	C	15	1.213	0.984	0.666	0.756	0.496	2.10	1.74	1.65	1.42
636-180-026-103L001	180-026-103L001	C	26	1.543	1.312	0.994	1.091	0.496	6.80	5.03	4.96	4.16
636-180-044-103L001	180-044-103L001	C	44	2.087	1.852	1.534	1.618	0.496	7.85	5.85	5.49	4.92
636-180-062-103L001	180-062-103L001	C	62	2.732	2.500	2.181	2.256	0.496	9.79	7.14	6.80	6.12
636-180-078-103L001	180-078-103L001	C	78	2.638	2.406	2.079	2.169	0.606	9.14	6.86	6.47	5.72
Female												
636-180-015-203L001	180-015-203L001	C	15	1.213	0.984	0.666	0.756	0.496	2.48	2.02	1.89	1.58
636-180-026-203L001	180-026-203L001	C	26	1.543	1.312	0.994	1.091	0.496	6.32	5.98	5.34	4.06
636-180-044-203L001	180-044-203L001	C	44	2.087	1.852	1.534	1.618	0.496	9.12	6.84	6.46	5.70
636-180-062-203L001	180-062-203L001	C	62	2.732	2.500	2.181	2.256	0.496	10.60	8.07	7.50	6.92
636-180-078-203L001	180-078-203L001	C	78	2.638	2.406	2.079	2.169	0.606	7.98	5.70	5.15	4.78

SERIES 180 STAMPED CONTACT D-SUB CONNECTORS - VERTICAL DIP HIGH DENSITY

Specifications:

- Shell: Nickel Plated Steel
- Insulator: Glass-filled thermoplastic, UL94V-0
- Contacts: Male - Brass Pins, Female - Phosphor Bronze Pins
- Plating: Gold flash on the entire contact

Features:

- RoHS Compliant per NorComp documentation
- Interfaces with IBM PS/2
- Approximately 65% higher density than standard D-sub

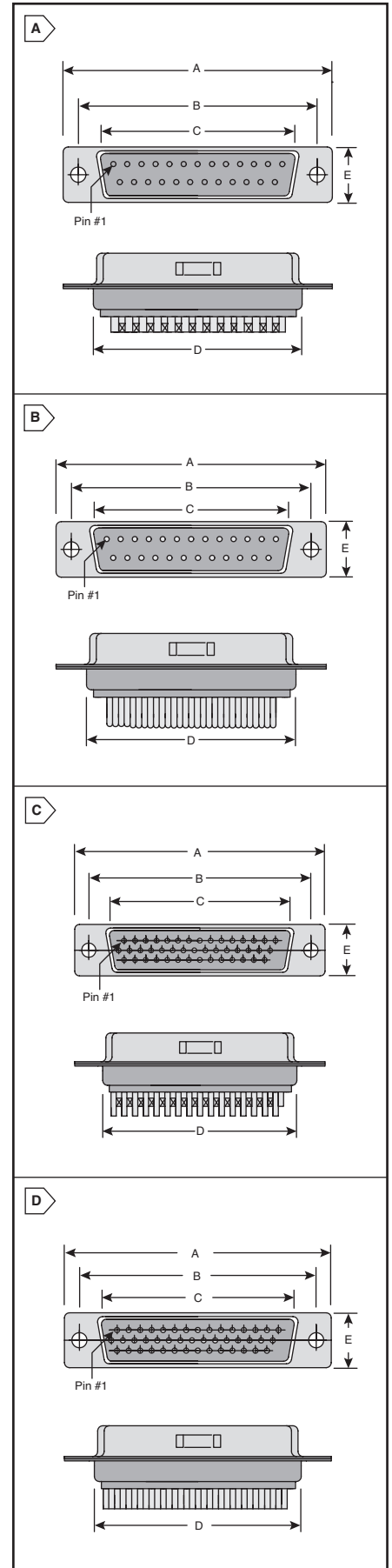


For quantities of 500 and up, call for quote.

MOUSER STOCK NO.	NorComp Part No.	Fig.	No. of Pos.	Dimensions (In.)					Price Each			
				A	B	C	D	E	1	25	50	100
Male												
636-180-015-113R001	180-015-113R001	D	15	1.213	0.984	0.666	0.756	0.496	2.15	1.81	1.67	1.46
636-180-026-113R001	180-026-113R001	D	26	1.543	1.312	0.994	1.091	0.496	3.43	2.66	2.61	2.17
636-180-044-113R001	180-044-113R001	D	44	2.087	1.852	1.534	1.618	0.496	5.93	4.45	4.08	3.67
636-180-062-113R001	180-062-113R001	D	62	2.732	2.500	2.181	2.256	0.496	7.60	5.80	5.47	4.83
Female												
636-180-015-213R001	180-015-213R001	D	15	1.213	0.984	0.666	0.756	0.496	1.80	1.58	1.46	1.22
636-180-015-213R911	180-015-213R911	D	15	1.213	0.984	0.666	0.756	0.496	3.60	3.07	2.83	2.58
636-180-026-213R001	180-026-213R001	D	26	1.543	1.312	0.994	1.091	0.496	3.95	2.93	2.67	2.40
636-180-026-213R911	180-026-213R911	D	26	1.543	1.312	0.994	1.091	0.496	4.40	3.75	3.45	3.15
636-180-044-213R001	180-044-213R001	D	44	2.087	1.852	1.534	1.618	0.496	6.11	4.47	4.06	3.64
636-180-044-213R911	180-044-213R911	D	44	2.087	1.852	1.534	1.618	0.496	7.15	6.09	5.61	5.12
636-180-062-213R001	180-062-213R001	D	62	2.732	2.500	2.181	2.256	0.496	7.80	5.85	5.37	4.88

© Copyright 2009 Mouser Electronics

© Copyright 2009 Mouser Electronics



"D" Connectors NorComp