

3M™ D-Subminiature Connectors



This product is RoHS compliant.

D-SUB CONNECTORS

Available in preassembled or two piece covers. Improved metal strain relief hooks directly to metal shell - Ordered Separately.

Features:

- Low profile
- Insulation Material: Glass Filled Polyester (PBT)
- Flammability: UL 94V-0
- Insulation Color: Gray
- Contact Material: Copper alloy
- Contact Plating: 30µ" Gold
- Shell Material: Steel
- Shell Plating: Tin
- Wire Accommodation: 26 and 28AWG solid or stranded
- Current Rating: 1A
- Withstanding Voltage: 1000 Vrms @ Sea level
- Temperature Rating: -15°C to +105°C
- RoHS Compliant per 3M documentation



Plugs - 8200 Series

For quantities of 200 and up, call for quote.

MOUSER STOCK NO.	3M Part No.	Fig.	No. of Contacts	Mounting Style	Price Each			
					1	25	50	100
Open Two-Piece Cover								
517-8209-6000	8209-6000	A	9	Unthreaded Insert	4.72	4.20	3.79	3.52
517-8215-6000	8215-6000	A	15	Unthreaded Insert	5.36	4.80	4.30	3.99
517-8225-6000	8225-6000	A	25	Unthreaded Insert	6.08	5.40	4.88	4.53
517-8237-6000	8237-6000	A	37	Unthreaded Insert	7.31	6.84	6.30	5.85
517-8209-6003	8209-6003	A	9	4-40 UNC Threaded Insert	4.89	4.50	3.92	3.64
517-8215-6003	8215-6003	A	15	4-40 UNC Threaded Insert	6.08	5.58	5.15	4.78
517-8225-6003	8225-6003	A	25	4-40 UNC Threaded Insert	6.57	6.02	5.56	5.16
517-8237-6003	8237-6003	A	37	4-40 UNC Threaded Insert	7.99	7.47	6.89	6.40
Open Preassembled Cover Without Adhesive								
517-8209-8000	8209-8000	B	9	Unthreaded Insert	4.36	4.15	3.83	3.63
517-8215-8000	8215-8000	B	15	Unthreaded Insert	5.90	5.47	5.21	4.70
517-8225-8000	8225-8000	B	25	Unthreaded Insert	5.68	5.26	4.99	4.60
517-8237-8000	8237-8000	B	37	Unthreaded Insert	9.31	8.79	8.27	7.91

Sockets - 8300 Series

For quantities of 200 and up, call for quote.

MOUSER STOCK NO.	3M Part No.	Fig.	No. of Contacts	Description	Price Each			
					1	25	50	100
Open Two-Piece Cover								
517-8309-6000	8309-6000	C	9	Unthreaded Insert	3.95	3.60	3.30	3.00
517-8315-6000	8315-6000	C	15	Unthreaded Insert	4.61	4.10	3.70	3.44
517-8325-6000	8325-6000	C	25	Unthreaded Insert	5.75	5.59	5.16	4.78
517-8337-6000	8337-6000	C	37	Unthreaded Insert	7.42	6.93	6.40	5.95
517-8309-6003	8309-6003	C	9	4-40 UNC Threaded Insert	4.90	4.35	4.02	3.73
517-8315-6003	8315-6003	C	15	4-40 UNC Threaded Insert	6.40	6.09	5.50	5.19
517-8325-6003	8325-6003	C	25	4-40 UNC Threaded Insert	6.52	6.10	5.63	5.23
517-8337-6003	8337-6003	C	37	4-40 UNC Threaded Insert	7.99	7.47	6.89	6.40
Open Preassembled Cover Without Adhesive								
517-8309-8000	8309-8000	D	9	Unthreaded Insert	4.20	3.90	3.69	3.25
517-8315-8000	8315-8000	D	15	Unthreaded Insert	6.11	5.63	5.40	4.43
517-8325-8000	8325-8000	D	25	Unthreaded Insert	6.84	6.25	5.70	5.59
517-8337-8000	8337-8000	D	37	Unthreaded Insert	7.36	6.83	6.46	6.11

STRAIN RELIEFS

• RoHS compliant per 3M documentation



RoHS Compliant

For quantities of 200 and up, call for quote.

MOUSER STOCK NO.	3M Part No.	Description	Price Each			
			1	25	50	100
517-3448-8D09A	3448-8D09A	9 Pin Strain Relief	.25	.23	.21	.189
517-3448-8D15A	3448-8D15A	15 Pin Strain Relief	.87	.73	.68	.66
517-3448-8D25A	3448-8D25A	25 Pin Strain Relief	.33	.28	.27	.25
517-3448-8D37A	3448-8D37A	37 Pin Strain Relief	.33	.28	.27	.25

TOOLS

For quantities greater than listed, call for quote.

MOUSER STOCK NO.	3M Part No.	Description	Price Each	
			1	5
517-3640	3640	Press	436.09	421.05
517-3443-106N	3443-106N	Locator Plate for 9, 15, 25, 37 Pin Connectors	392.79	379.25
517-3442-9	3442-9	Platen for 9, 15, 25, 37 Pin Socket Connectors	96.75	90.30

METAL D-SUB CONNECTOR EMI HOODS

Designed to fit the 3M 8200 and 8300 series D-Sub connectors listed above.

Features:

- Provides EMI/ESD protection
- Provides option in grounding for discrete wire applications
- Light weight, compact design
- Color: Black
- Flammability: UL94V-0
- Material: Steel
- Plating: Nickel
- Cover Nut Material: Glass Filled Polyester (PBT)
- RoHS Compliant per 3M documentation

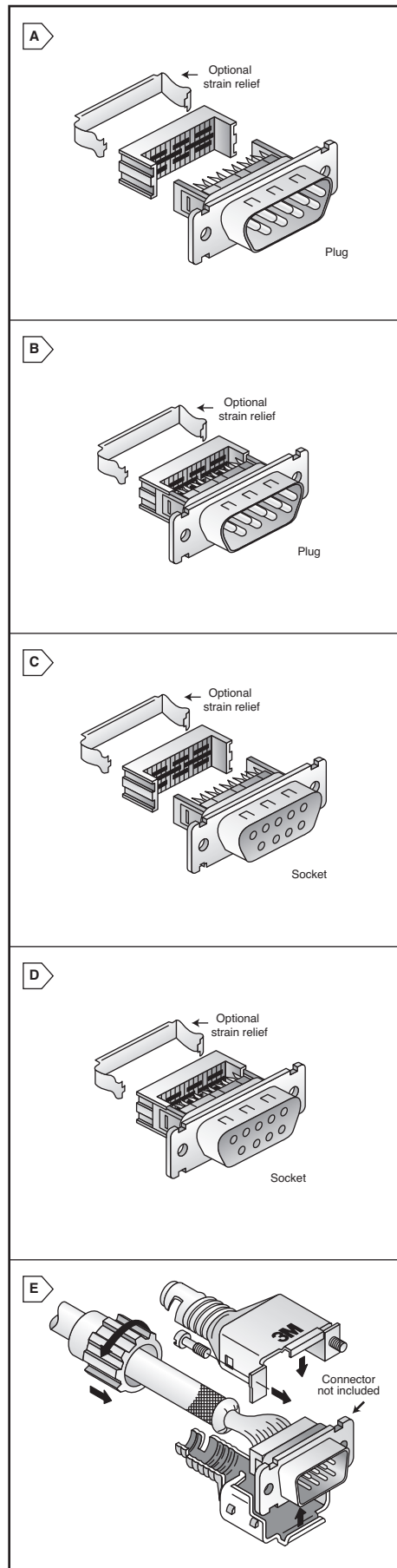


MOUSER STOCK NO.	3M Part No.	Fig.	Description	Price Each			
				1	25	50	100
517-3357-9209	3357-9209	E	Use with 9 pin d-sub	4.15	3.50	3.19	2.99
517-3357-9215	3357-9215	E	Use with 15 pin d-sub	4.15	3.55	3.28	3.04
517-3357-9225	3357-9225	E	Use with 25 pin d-sub	4.80	4.16	3.75	3.49
517-3357-9237	3357-9237	E	Use with 37 pin d-sub	6.48	5.94	5.48	5.08

ACCESSORIES

For quantities of 200 and up, call for quote.

MOUSER STOCK NO.	3M Part No.	Description	Price Each			
			1	25	50	100
517-3341-7	3341-7-BULK-PKG	Thumb Screw Kit	4.12	3.76	3.57	3.37
517-3808-ER	3808-ER	Retainer Ring	.42	.38	.36	.34



"D" Connectors

3M