

3M™ Mini-D (MDR) Connectors and Accessories



MINI D RIBBON (MDR) CONNECTORS

- Wiper-on-wiper contact for reliable repetitive plugging
- Interface latch design for connection stability
- Withstanding voltage: 500 Vrms for 1 minute
- Insulation material: Beige glass reinforced polyester (PCT), UL94V-0
- Current rating: 1 A
- RoHS Compliant per 3M documentation



.050" Boardmount Thru-Hole Vertical Shielded Receptacles

- Rugged die cast metal case construction
- Screw lockdown for reliable PCB retention
- IEEE 1284C Interface as a 36 contact connector
- Contact material: Copper alloy (C521)
- Plating: 30µ" Gold
- Temperature rating: -20°C to +85°C
- M2.5 thread with screw lock

For quantities of 200 and up, call for quote.

MOUSER STOCK NO.	3M Part No.	Fig.	No. of Contacts	Price Each			
				1	25	50	100
517-10214-6212PC	10214-6212PC	A	14	3.57	3.30	3.06	2.98
517-10220-6212PC	10220-6212PC	A	20	3.90	3.45	3.21	3.13
517-10226-6212PC	10226-6212PC	A	26	3.99	3.58	3.42	3.32
517-10236-6212PC	10236-6212PC	A	36	4.10	3.90	3.60	3.43
517-10240-6212PC	10240-6212PC	A	40	4.24	3.92	3.64	3.46
517-10250-6212PC	10250-6212PC	A	50	4.72	4.08	3.79	3.61
517-10268-6212PC	10268-6212PC	A	68	5.53	5.25	4.80	4.43
517-10280-6212PC	10280-6212PC	A	80	7.45	7.20	6.99	6.72
517-102A0-6212PC	102A0-6212PC	A	100	7.98	7.60	7.44	7.20

.050" Boardmount Compliant Pin Vertical Shielded Receptacles

- Rugged die cast metal case construction
- Contact material: Copper alloy (C521)
- Plating: 30µ" Gold
- Temperature rating: -20°C to +85°C
- M2.5 thread

For quantities of 200 and up, call for quote.

MOUSER STOCK NO.	3M Part No.	Fig.	No. of Contacts	1	25	50	100
517-10214-R21TS	10214-R21TS	B	14	6.99	6.37	6.09	5.89
517-10226-R21TS	10226-R21TS	B	26	6.70	6.40	6.12	5.90
517-10236-R21TS	10236-R21TS	B	36	7.27	6.73	6.44	6.20

.050" Surface Mount Right Angle Die Cast Shielded Connectors

- Weight-balanced die-cast body resists tipping during automated soldering operations
- MDR digital LCD interface as a 20 or 26 contact connector
- Ultra-low signal skew for high data rate transmission
- Suitable for thumbscrew attach
- Tail length: .134mm

For quantities of 200 and up, call for quote.

MOUSER STOCK NO.	3M Part No.	Fig.	No. of Contacts	1	25	50	100
517-10226-1S10PE	10226-1S10PE	C	26	7.22	6.83	6.70	6.52

.050" Surface Mount Right Angle Shielded Receptacles

- Ultra-low signal skew for high data rate transmission
- MDR digital LCD interface as a 20 or 26 contact connector
- Contact material: Copper alloy (C521)
- Plating: 30µ" Gold; Tail length: .15mm
- Temperature rating: -55°C to +105°C
- Tail length: .165mm

For quantities of 200 and up, call for quote.

MOUSER STOCK NO.	3M Part No.	Fig.	No. of Contacts	1	25	50	100
*517-10226-1A10PE	10226-1A10PE	C	26	4.25	3.54	3.46	3.36
517-10214-1210PE	10214-1210PE	C	14	6.37	5.49	5.10	4.96
517-10220-1210PE	10220-1210PE	C	20	6.09	5.62	5.22	5.05
517-10226-1210PE	10226-1210PE	C	26	6.77	5.84	5.42	5.30
517-10240-1210PE	10240-1210PE	C	40	7.31	6.75	6.27	6.13
517-10250-1210PE	10250-1210PE	C	50	7.65	7.05	6.56	6.40

.050" Surface Mount Vertical Shielded Receptacles

- IEEE 1284C Interface as a 36 contact connector
- Contact material: Copper alloy (C521)
- Plating: 30µ" Gold
- Temperature rating: -55°C to +105°C
- Tail length: .091mm

For quantities of 200 and up, call for quote.

MOUSER STOCK NO.	3M Part No.	Fig.	No. of Contacts	1	25	50	100
517-10226-2210PE	10226-2210PE	D	26	7.05	6.51	6.05	5.92

.050" IDC Wiremount Panel Mount Shielded Receptacles

- Wire Accommodation: 28 AWG stranded, 30 AWG solid
- IEEE 1284C Interface as a 36 contact connector
- Contact material: Beryllium copper (C172)
- Plating: 30µ" Gold
- Temperature rating: -20°C to +85°C

For quantities of 200 and up, call for quote.

MOUSER STOCK NO.	3M Part No.	Fig.	No. of Contacts	1	25	50	100
517-10220-0210EC	10220-0210EC	E	20	7.47	7.29	7.15	6.74
517-10226-0210EC	10226-0210EC	E	26	8.80	8.08	7.86	7.29
517-10250-0210EC	10250-0210EC	E	50	10.53	10.25	10.05	9.51

.050" Shielded Solder Plug Connectors

- Solder cup termination requires no special tooling
- Accepts a wide variety of discrete wire (24 to 30 AWG)
- Contact material: Copper alloy (C521)
- Plating: 20µ" Gold
- Temperature rating: -55°C to +105°C

For quantities of 200 and up, call for quote.

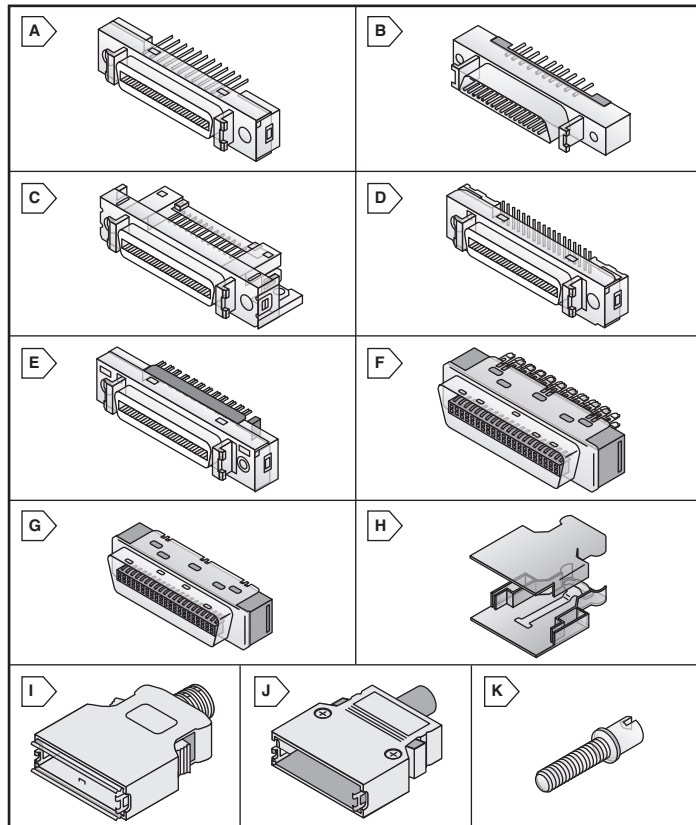
MOUSER STOCK NO.	3M Part No.	Fig.	No. of Contacts	1	25	50	100
517-10114-3000PE	10114-3000PE	F	14	5.80	5.03	4.64	4.50
517-10120-3000PE	10120-3000PE	F	20	6.21	5.69	5.25	5.18
517-10126-3000PE	10126-3000PE	F	26	6.81	6.12	5.65	5.52
517-10136-3000PE	10136-3000PE	F	36	6.94	5.57	5.20	5.16
517-10150-3000PE	10150-3000PE	F	50	8.01	7.10	6.29	6.13

.050" IDC Wiremount Shielded Plug Connectors

- MDR digital LCD interface as a 20 or 26 contact connector
- IEEE 1284C Interface as a 36 contact connector
- Wire accommodation: 28 AWG stranded, 30 AWG solid
- Contact material: Beryllium copper (C172)
- Plating: 30µ" Gold
- Temperature rating: -20°C to +85°C

For quantities of 200 and up, call for quote.

MOUSER STOCK NO.	3M Part No.	Fig.	No. of Contacts	1	25	50	100
517-10114-6000EC	10114-6000EC	G	14	3.98	3.67	3.41	3.29
517-10120-6000EC	10120-6000EC	G	20	4.11	3.80	3.60	3.52
517-10126-6000EC	10126-6000EC	G	26	4.25	3.92	3.64	3.56
517-10136-6000EC	10136-6000EC	G	36	5.10	4.71	4.37	4.20
517-10140-6000EC	10140-6000EC	G	40	5.42	5.25	5.08	4.89
517-10150-6000EC	10150-6000EC	G	50	5.63	5.19	4.82	4.70
517-10168-6000EC	10168-6000EC	G	68	5.99	5.34	4.95	4.77
*517-10168-6010EC	10168-6010EC	G	68	5.46	5.25	5.10	4.92
517-10180-6000EC	10180-6000EC	G	80	7.22	7.02	6.80	6.52
517-101A0-6000EC	101A0-6000EC	G	100	8.59	8.25	7.99	7.75



MINI D RIBBON (MDR) JUNCTION SHELLS AND ACCESSORIES

Non-Shielded Plastic Solder Plug Junction Shells

- Compatible with 101xx-3000PE plug connectors
- Design features durable two-piece backshell with ground strap

For quantities of 200 and up, call for quote.

MOUSER STOCK NO.	3M Part No.	Fig.	No. of Contacts	Price Each			
				1	25	50	100
517-10314-52F0-008	10314-52F0-008	H	14	5.88	5.27	4.90	4.70
517-10320-52F0-008	10320-52F0-008	H	20	6.72	6.20	5.50	5.26
517-10326-52F0-008	10326-52F0-008	H	26	6.05	5.59	5.19	4.93
517-10336-52F0-008	10336-52F0-008	H	36	6.30	5.65	5.25	5.10
517-10350-52F0-008	10350-52F0-008	H	50	6.29	5.81	5.39	5.10

Black Non-Shielded Shell Kit

- Compatible with 101xx-3000PE plug connectors
- Durable two sided shell without grounding strap

For quantities of 200 and up, call for quote.

MOUSER STOCK NO.	3M Part No.	Fig.	No. of Contacts	1	25	50	100
517-10320-52A0-008	10320-52A0-008	H	20	6.66	6.08	5.76	5.44
517-10336-52A0-008	10336-52A0-008	H	36	6.86	6.27	5.94	5.61
517-10350-52A0-008	10350-52A0-008	H	50	7.07	6.46	6.12	5.10

Plastic Shielded Junction Shell for Round Cable

- Compatible with 101xx-6000EC plug connectors
- Durable one piece plastic over two piece metal junction shell for straight round cable
- Quick release latching mechanism

For quantities of 200 and up, call for quote.

MOUSER STOCK NO.	3M Part No.	Fig.	No. of Contacts	1	25	50	100
517-10314-3210-000	10314-3210-000	I	14	3.93	3.53	3.28	3.13
517-10320-3210-000	10320-3210-000	I	20	3.62	3.06	2.84	2.81
517-10326-3210-000	10326-3210-000	I	26	3.69	3.38	2.99	2.83
517-10336-3210-000	10336-3210-000	I	36	3.55	3.39	3.25	3.11
517-10350-3210-000	10350-3210-000	I	50	3.55	3.28	3.05	2.93
517-10368-3210-000	10368-3210-000	I	68	3.64	3.36	3.20	3.12

Metal Junction Shell for Round Cable

- Compatible with 101xx-6000EC plug connectors
- Rugged two-piece die cast metal shell with round straight exit
- Excellent EMI/ESD protection

For quantities of 200 and up, call for quote.

MOUSER STOCK NO.	3M Part No.	Fig.	No. of Contacts	1	25	50	100
517-10320-A200-00	10320-A200-00	J	20	8.54	8.29	7.99	7.71
517-10326-A200-00	10326-A200-00	J	26	9.18	8.69	8.31	8.29
517-10336-A200-00	10336-A200-00	J	36	9.71	9.55	9.24	8.76
517-10350-A200-00	10350-A200-00	J	50	10.85	10.41	10.11	9.79
517-103A0-A200-00	103A0-A200-00	J	100	12.68	11.73	10.99	10.50

Jack Sockets

- Package of Two
- Thread Size: M2.5/#4-40
- Stainless Steel
- 2.5 Inch/lbs.

For quantities of 200 and up, call for quote.

MOUSER STOCK NO.	3M Part No.	Fig.	Thread Length	Socket Length	Price Each			
					1	25	50	100
517-3341-13	3341-13-KIT	K	.35"	.27"	3.01	2.76	2.61	2.47
517-3341-31	3341-31-KIT	K	.40"	.12"	3.82	3.49	3.31	3.13
517-3341-32	3341-32-KIT	K	.50"	.27"	3.70	3.36	3.19	3.01

