

3M™ MDR and D Ribbon Connectors and Accessories



3000 SERIES D RIBBON WIREMOUNT CONNECTORS

Features:

- Accepts .050" round, flat or jacketed cable
- Insulation material: Glass Filled Polyester (PBT)
- Flammability: UL 94V-0
- Color: Gray
- Contact material: Copper alloy
- Current rating: 1 A
- Temperature rating: -55°C to +105°C
- Plating: 30 μ" Gold
- Wire Accommodation: 26 and 28 AWG solid or stranded
- Metal faced plug provides complete EMI shielded system when mated to a metal faced female connector



Plugs

For quantities of 200 and up, call for quote.

MOUSER STOCK NO.	3M Part No.	Fig.	No. of Contacts	Mounting Style	Price Each			
					1	25	50	100
Plastic - Low Profile								
517-3572-1000	3572-1000	A	14	.158" Dia Thru Hole	4.67	4.50	4.30	4.21
517-3548-1000	3548-1000	A	24	.158" Dia Thru Hole	5.25	4.74	4.37	4.07
517-3366-1001	3366-1001	A	36	Bailmount	6.30	5.80	5.64	5.40
517-3564-1000	3564-1000	A	50	.158" Dia Thru Hole	7.52	6.58	6.07	5.64
517-3564-1001	3564-1001	A	50	Bailmount	7.61	6.97	6.44	5.97
517-3564-1002	3564-1002	A	50	#4-40 UNC Insert	7.55	6.92	6.38	5.93
Metal Faced								
517-3564-2000	3564-2000	A	50	.158" Dia Thru Hole	8.67	7.94	7.32	6.80

Sockets

Plastic - Low Profile								
MOUSER STOCK NO.	3M Part No.	Fig.	No. of Contacts	Mounting Style	1	25	50	100
517-3573-1000	3573-1000	B	14	.158" Dia Thru Hole	6.23	6.06	5.85	5.62
517-3549-1001	3549-1001	B	24	Bailmount	5.11	4.90	4.79	4.60
517-3549-1002	3549-1002	B	24	#4-40 UNC Insert	5.19	5.06	4.80	4.68
517-3367-1000	3367-1000	B	36	.158" Dia Thru Hole	6.00	5.50	5.08	4.71
517-3367-1001	3367-1001	B	36	Bailmount	6.73	6.49	6.25	6.08
517-3367-1002	3367-1002	B	36	#4-40 UNC Insert	7.14	6.24	5.76	5.30
517-3565-1000	3565-1000	B	50	.158" Dia Thru Hole	7.15	7.08	6.80	6.22
517-3565-1001	3565-1001	B	50	Bailmount	9.27	8.75	8.14	7.66
517-3565-1002	3565-1002	B	50	#4-40 UNC Insert	7.92	7.26	6.69	6.22
Metal Faced								
517-3565-2002	3565-2002	B	50	Bailmount	9.61	8.81	8.12	7.54

Accessories

MOUSER STOCK NO.	3M Part No.	Description	Price Each			
			1	25	50	100
Strain Reliefs						
517-3448-60	3448-60	14 Pin Strain Relief	.40	.39	.38	.32
517-3448-61	3448-61	24 Pin Strain Relief	.48	.40	.39	.363
517-3448-62	3448-62	36 Pin Strain Relief	.59	.52	.49	.46
517-3448-63	3448-63	50 Pin Strain Relief	.61	.60	.57	.53
Tools						
517-3640	3640	Press Platen	436.09		421.05	
517-3442-9	3442-9		96.75		90.30	

MINI D RIBBON (MDR) CONNECTORS

- Wiper-on-wiper contact for reliable repetitive plugging
- Interface latch design for connection stability
- Withstanding voltage: 500 Vrms for 1 minute
- Insulation material: Beige glass reinforced polyester (PCT), UL94V-0
- Current rating: 1 A
- RoHS Compliant per 3M documentation

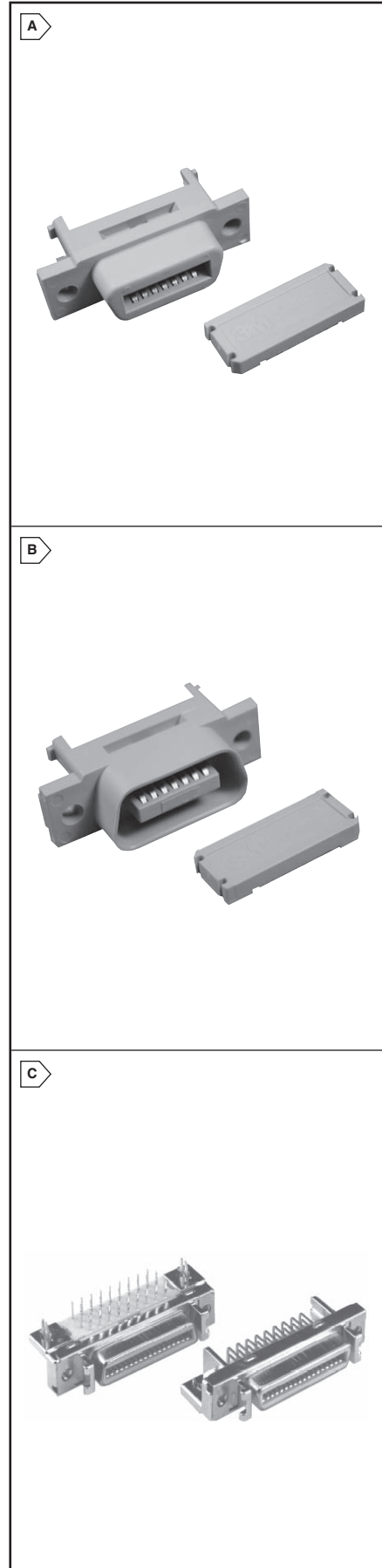
.050" Boardmount Thru-Hole Right Angle Shielded Receptacles

- Rugged die cast metal case construction (N102XX-52XXXX only)
- IEEE 1284C Interface as a 36 contact connector
- Contact material: Copper alloy (C521)
- Plating: 30μ" Gold
- Temperature rating: -55°C to +105°C
- MDR Digital LCD interface as a 20 or 26 contact connector
- Reverse pin layout pattern - SCSI-2 layout compatible



For quantities of 200 and up, call for quote.

MOUSER STOCK NO.	3M Part No.	Fig.	No. of Contacts	Price Each			
				1	25	50	100
M2.5 Panel/Ground Lock							
517-N10214-52B2PC	N10214-52B2PC	C	14	6.76	6.18	5.65	4.87
517-N10220-52B2PC	N10220-52B2PC	C	20	6.70	6.37	6.03	5.02
517-N10226-52B2PC	N10226-52B2PC	C	26	5.80	5.03	4.89	4.69
517-N10236-52B2PC	N10236-52B2PC	C	36	7.34	6.97	6.25	5.50
4-40 Panel/Ground Lock							
517-N10250-52E2PC	N10250-52E2PC	C	50	8.74	7.98	7.56	6.30
517-N10268-52E2PC	N10268-52E2PC	C	68	10.63	9.71	8.20	7.66
517-N10280-52E2PC	N10280-52E2PC	C	80	12.00	10.96	9.75	8.65
517-N102A0-52E2PC	N102A0-52E2PC	C	100	13.50	12.33	10.68	9.73
M2.5 Panel/M2.5 Screw Lock							
517-N10214-5212PC	N10214-5212PC	C	14	5.80	4.80	4.60	4.49
517-N10220-5212PC	N10220-5212PC	C	20	5.35	5.18	4.74	4.49
517-N10226-5212PC	N10226-5212PC	C	26	5.34	5.10	4.88	4.65
517-N10236-5212PC	N10236-5212PC	C	36	5.69	5.43	5.20	4.90
517-N10240-5212PC	N10240-5212PC	C	40	7.68	7.01	6.64	5.53
4-40 Panel/4-40 Screw Lock							
517-N10268-5242PC	N10268-5242PC	C	68	10.03	8.16	7.99	7.23
517-N10280-5242PC	N10280-5242PC	C	80	11.79	10.77	8.58	8.50
517-N102A0-5242PC	N102A0-5242PC	C	100	13.29	11.41	10.50	9.58
M2.5 Panel Mount Thread							
*517-10214-55G3PC	10214-55G3PC	C	14	3.53	3.42	3.31	3.19
*517-10220-55G3PC	10220-55G3PC	C	20	3.13	3.01	2.94	2.82
*517-10226-55G3PC	10226-55G3PC	C	26	3.60	3.25	3.17	3.06
*517-10236-55G3PC	10236-55G3PC	C	36	3.72	3.63	3.49	3.36
**517-10268-5JBEP	10268-5JBEP	C	68	9.10	8.75	8.51	8.21
4-40 Panel Mount Thread							
*517-10226-55H3PC	10226-55H3PC	C	26	4.37	3.99	3.50	3.15
*517-10268-55H3PC	10268-55H3PC	C	68	5.53	5.10	4.74	4.59



"D" Connectors 3M