

EVERLIGHT SMD LEDs and LED Lamps

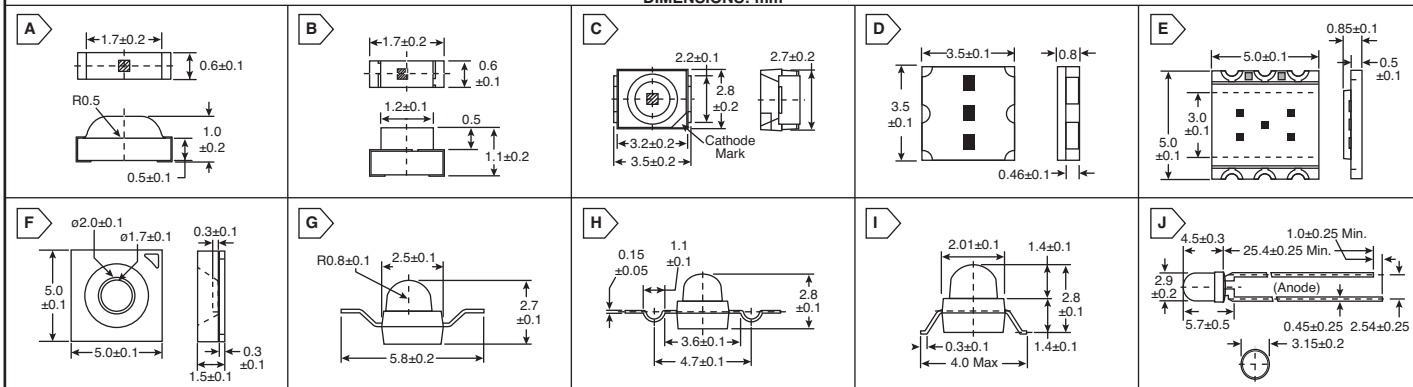


This product is RoHS compliant.

Illumination

Everlight

DIMENSIONS: mm



SMD LEDs (CONT.)

For quantities of 2000 and up, call for quote.

MOUSER STOCK NO.	Everlight Part No.	Fig.	Color		Wavelength	Iv(mcd)	Angle	Price Each			
			Emitted	Lens				1	100	500	1000
SMD LEDs Right Angle											
638-215SURCS530A28	EL-12-215SURC/S530-A2/TR8	A	Hyper Red	Water Clear	624	48	130°	.13	.096	.079	.07
638-1215UYCS530A28	EL-12-215UYC/S530-A2/TR8	A	Yellow	Water Clear	589	49	130°	.13	.096	.079	.07
638-12-215VGC/TR8	EL-12-215VGC/TR8	A	Green	Water Clear	571	11	130°	.19	.14	.11	.10
638-12-215UBGC/TR8	EL-12-215UBGC/TR8	A	Blue Green	Water Clear	505	70	130°	3.50	2.55	2.09	1.85
638-12-215UBCC4308	EL-12-215UBC/C430/TR8	A	Blue	Water Clear	466	22	130°	1.49	1.09	.89	.79
638-1215W1DANPHY3C	EL-12-215/W1D-ANPHY/3C	A	White	Yellow Diffused	-	40	140°	.34	.25	.20	.18
638-2721UYCS530A28	EL-27-21UYC/S530-A2/TR8	B	Yellow	Water Clear	589	34	130°	.13	.094	.077	.068
638-2715YGC/S530E18	EL-27-21SYGC/S530-E1/TR8	B	Yellow Green	Water Clear	573	16	130°	.12	.091	.074	.066
638-2721BHCAN1P23C	EL-27-21/BHC-AN1P2/3C	B	Blue	Water Clear	470	40	130°	.27	.198	.162	.144
638-2721W1DANPHY3C	EL-27-21/W1D-ANPHY/3C	B	White	Yellow Diffused	-	40	140°	1.01	.74	.60	.54
PLCC SMD LEDs											
638-QTLP670C7	QTL670C7TR	C	Red	Water Clear	660	40	120°	.24	.18	.14	.13
638-QTLP670CR	QTL670CRTR	C	Red	Water Clear	660	42	120°	.20	.145	.119	.106
638-QTLP670C2R	QTL670C2TR	C	Hi-Eff Red	Water Clear	635	10	120°	.14	.103	.084	.075
638-672SURCS530-A2	EL-67-21SURC/S530-A2/TR8	C	Hyper Red	Water Clear	624	65	120°	.27	.20	.164	.146
638-672UYOCS530-A2	EL-67-21UYOC/S530-A2/TR8	C	Yellow Orange	Water Clear	605	67	120°	.29	.21	.176	.156
638-672UYCS530-A2	EL-67-21UYC/S530-A2/TR8	C	Yellow	Water Clear	589	56	120°	.27	.20	.164	.146
638-QTLP670C3	QTL670C3TR	C	Yellow	Water Clear	585	10	120°	.16	.114	.094	.083
638-QTLP670CAGTR	QTL670CAGTR	C	Yellow-Green	Water Clear	575	30	100°	.28	.21	.17	.15
638-672VGC	EL-67-21VGC/TR8	C	Green	Water Clear	571	25	120°	.24	.18	.15	.13
638-QTLP670C4	QTL670C4TR	C	Green	Water Clear	565	25	120°	.15	.108	.089	.079
638-QTLP670CIGTR	QTL670CIGTR	C	True Green	Water Clear	520	115	100°	1.78	1.30	1.07	.95
638-672UBCC430	EL-67-21UBC/C430/TR8	C	Blue	Water Clear	466	55	120°	.76	.56	.46	.41
638-QTLP670CIBTR	QTL670CIBTR	C	Blue	Water Clear	465	60	120°	1.54	1.12	.92	.81
638-672UWCS400-A4	EL-67-21UWC/S400-A4/TR8	C	White	Yellow Diffused	-	290	120°	1.28	.93	.76	.68
638-67-23UWC/S400	67-23UWC/S400-X9/TR8	C	White	Yellow Diffused	-	1500	120°	1.80	1.32	1.08	.96
SMD LEDs High Bright White											
638-47-23UWD	47-23UWD/TR8	D	White	Yellow Diffused	-	2000	130°	3.80	2.99	2.44	2.17
638-40-25AUWD	40-25AUWD/TR8	E	White	Yellow Diffused	-	2500	130°	4.90	3.68	3.27	2.86
638-59-23UWD	59-23UWD/TR8	F	White	Yellow Diffused	-	5000	60°	5.37	4.03	3.58	3.13
638-59-14UWD	59-14UWD/TR8	F	White	Yellow Diffused	-	8500	50°	7.18	5.87	5.22	4.57
1.9mm Round Subminiature LEDs With Z Lead Bend											
638-912SURCS530	EL-91-21SURC/S530-A2/TR10	G	Hyper Red	Water Clear	624	482	25°	.20	.146	.119	.106
638-952SURCA2TR10	EL-95-21SURC/S530-A2/TR10	G	Hyper Red	Water Clear	624	482	25°	.20	.146	.119	.106
638-912UYCS530	EL-91-21UYC/S530-A2/TR10	G	Yellow	Water Clear	589	496	25°	.20	.146	.119	.106
638-912VGC/TR10	EL-91-21VGC/TR10	G	Green	Water Clear	571	50	25°	.24	.17	.14	.12
638-952VGC/TR10	EL-95-21VGC/TR10	G	Green	Water Clear	571	50	25°	.24	.17	.14	.12
638-952UBCC430TR10	EL-95-21UBC/C430/TR10	G	Blue	Water Clear	466	203	25°	.78	.57	.47	.42
1.9mm Round Subminiature LEDs With Yoke Lead Bend											
638-952SURCA2TR9	EL-95-21SURC/S530-A2/TR9	H	Hyper Red	Water Clear	624	482	25°	.20	.146	.119	.106
638-952UYCA2TR9	EL-95-21UYC/S530-A2/TR9	H	Yellow	Water Clear	589	496	25°	.20	.146	.119	.106
638-952VGC/TR9	EL-95-21VGC/TR9	H	Green	Water Clear	571	50	25°	.26	.19	.16	.14
638-952UBCC430TR9	EL-95-21UBC/C430/TR9	H	Blue	Water Clear	466	203	25°	.75	.55	.45	.40
1.9mm Round Subminiature LEDs With Gull Wing Lead Bend											
638-952SURCA2TR7	EL-95-21SURC/S530-A2/TR7	I	Hyper Red	Water Clear	624	482	25°	.20	.146	.119	.106
638-952UYCA2TR7	EL-95-21UYC/S530-A2/TR7	I	Yellow	Water Clear	589	496	25°	.20	.146	.119	.106
638-952VGC/TR7	EL-95-21VGC/TR7	I	Green	Water Clear	571	50	25°	.24	.17	.14	.12
638-952UBCC430TR7	EL-95-21UBC/C430/TR7	I	Blue	Water Clear	466	203	25°	.79	.58	.47	.42

THRU-HOLE LEDs

T-100 Low Current LED Lamps											
638-HLMPK150	HLMPK150	J	Red	Red Diffused	660	2	60°	.14	.10	.08	.07
638-HLMP-K155	HLMPK155	J	Red	Red Clear	660	3	45°	.16	.114	.094	.083
638-HLMP-1700	HLMP1700	J	Hi-Eff Red	Red Diffused	635	2	50°	.14	.102	.084	.074
638-HLMP1719	HLMP1719	J	Yellow	Yellow Diffused	565	2	50°	.15	.108	.089	.079
638-HLMP1790	HLMP1790	J	Green	Green Diffused	565	2	50°	.14	.102	.084	.074
T-100 Super Bright LED Lamps											
638-MV7044	MV7044	J	AllnGaP Red	Water Clear	645	375	60°	.40	.29	.24	.21
638-MV7843	MV7843	J	Orange Red	Water Clear	630	240	60°	.34	.25	.20	.18
638-MV7742	MV7742	J	Orange	Water Clear	620	150	60°	.30	.22	.18	.16
638-MV7744	MV7744	J	Orange	Water Clear	620	375	60°	.34	.25	.20	.18
638-MV7343	MV7343	J	Yellow	Water Clear	590	240	60°	.30	.22	.18	.16
638-MV7344	MV7344	J	Yellow	Water Clear	590	375	60°	.21	.155	.127	.113
638-MV7442	MV7442	J	Green	Water Clear	570	240	60°	.19	.139	.114	.101
638-MV5B640	MV5B640	J	GaN/SiC Blue	Blue Diffused	430	120	45°	.92	.67	.55	.49
638-MV5B60	MV5B60	J	GaN/SiC Blue	Water Clear	430	350	35°	1.13	.83	.68	.60

