

AMPHENOL® Rugged Ethernet Connection Systems Amphenol®

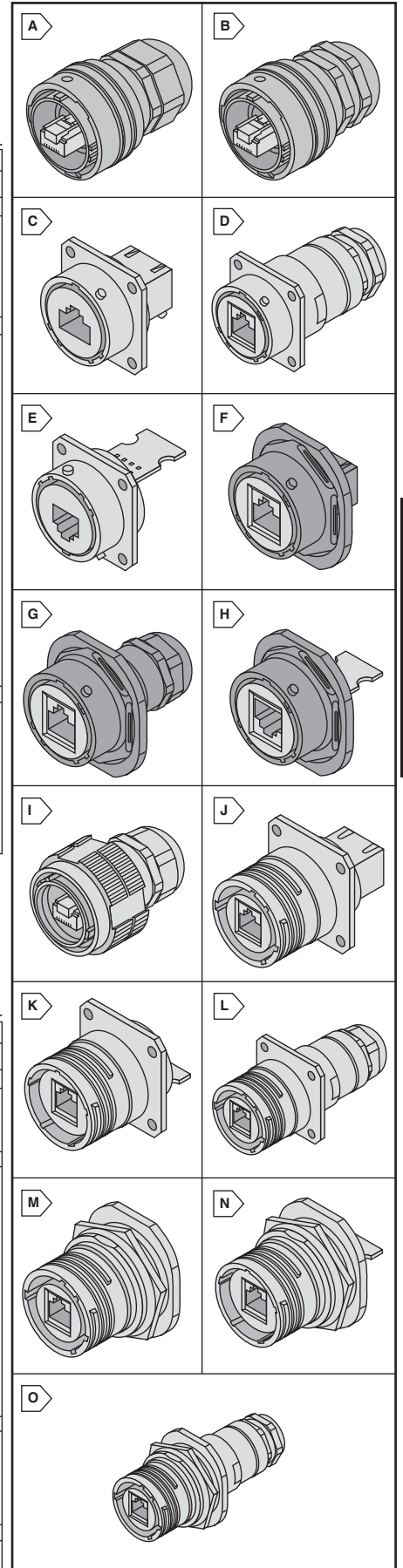
RJ FIELD ETHERNET BAYONET CONNECTION SYSTEM

RJ Field allows you to use an Ethernet Class D / Cat. 5e connection for 10 BaseT, 100 BaseTX or 1000 BaseT networks in harsh environments.

- IP68, Sealed against fluids and dusts
- Shock, Vibration, and Traction resistant
- No Tools required
- Mechanical Coding/Polarization (4 positions)
- Bayonet coupling mechanism (MIL-C-26482 type)
- Audible & Visual coupling signal
- Accommodates a standard RJ45 cordset

For quantities of 25 and up, call for quote.

MOUSER STOCK NO.	Amphenol Part No.	Fig.	RoHS	Description	Price Each		
					1	5	10
Plugs							
523-RJF6B	RJF6B	A	Yes	Plug, Metal Circular Shell, Plastic Gland, Black	28.64	26.37	24.43
523-RJF6N	RJF6N	A	Yes	Plug, Metal Circular Shell, Plastic Gland, Nickel	29.06	26.75	24.78
523-RJF6G	RJF6G	A	No	Plug, Metal Circular Shell, Green Cadmium	33.32	30.54	28.19
523-RJF6MB	RJF6MB	B	Yes	Plug, Metal Circular Shell, Black, Metal Gland	37.69	34.57	31.93
523-RJF6MN	RJF6MN	B	Yes	Plug, Metal Circular Shell, Nickel, Metal Gland	39.57	36.16	33.29
523-RJF6MG	RJF6MG	B	No	Plug, Metal Circular Shell, Green Cadmium, Metal Gland	38.05	35.01	32.41
Receptacles							
523-RJF21B	RJF21B	C	Yes	Panel Mount Recept., RJ45, Black	29.82	27.11	24.85
523-RJF21N	RJF21N	C	Yes	Panel Mount Recept., RJ45, Nickel	34.99	32.21	29.85
523-RJF21G	RJF21G	C	No	Panel Mount Recept., RJ45, Green Cadmium	37.85	34.58	31.84
523-RJF2PE1B	RJF2PE1B	-	Yes	Panel Mount Recept., RJ45, Backshell Plastic Gland, Black	52.73	48.68	45.20
523-RJF2PE1N	RJF2PE1N	-	Yes	Panel Mount Recept., RJ45, Backshell Plastic Gland, Nickel	62.00	57.23	53.14
523-RJF2PE1G	RJF2PE1G	-	No	Panel Mount Recept., RJ45, Backshell Plastic Gland, Green Cadmium	56.75	52.38	48.64
523-RJF2PEM1B	RJF2PEM1B	D	Yes	Panel Mount Recept., RJ45, Backshell Metal Gland, Black	58.04	53.57	49.75
523-RJF2PEM1N	RJF2PEM1N	D	Yes	Panel Mount Recept., RJ45, Backshell Metal Gland, Nickel	59.62	57.79	53.66
523-RJF2PEM1G	RJF2PEM1G	D	No	Panel Mount Recept., RJ45, Backshell Metal Gland, Green Cadmium	65.45	60.42	56.10
523-RJF22B00	RJF22B00	E	Yes	Panel Mount Recept., PCB, Black	25.82	23.14	21.31
523-RJF22N00	RJF22N00	E	Yes	Panel Mount Recept., PCB, Nickel	29.88	27.43	25.35
523-RJF22G00	RJF22G00	E	No	Panel Mount Recept., PCB, Green Cadmium	32.17	29.35	27.43
523-RJF71B	RJF71B	F	Yes	Jam Nut Recept., RJ45, Black	45.46	41.85	38.77
523-RJF71N	RJF71N	F	Yes	Jam Nut Recept., RJ45, Nickel	52.64	51.02	47.38
523-RJF71G	RJF71G	F	No	Jam Nut Recept., RJ45, Green Cadmium	51.00	46.95	43.50
523-RJF7PE1B	RJF7PE1B	G	Yes	Jam Nut Recept., RJ45, Backshell Plastic Gland, Black	70.02	64.47	59.73
523-RJF7PE1G	RJF7PE1G	G	No	Jam Nut Recept., RJ45, Green Cadmium	76.11	70.07	64.91
523-RJF7PEM1B	RJF7PEM1B	G	Yes	Jam Nut Recept., RJ45, Backshell Metal Gland, Black	79.01	72.93	67.72
523-RJF7PEM1N	RJF7PEM1N	G	Yes	Jam Nut Recept., RJ45, Backshell Metal Gland, Nickel	79.47	73.36	68.12
523-RJF7PEM1G	RJF7PEM1G	G	No	Jam Nut Recept., RJ45, Backshell Metal Gland, Green Cadmium	82.81	76.44	70.98
523-RJF7G00	RJF7G00	H	No	Jam Nut Recept., PCB, Green Cadmium	51.57	47.12	40.19
Accessories							
523-RJFC6B	RJFC6B	-	Yes	Cap for Plug, Black	27.89	25.48	21.74
523-RJFC6N	RJFC6N	-	Yes	Cap for Plug, Nickel	31.17	28.78	26.72
523-RJFC6G	RJFC6G	-	No	Cap for Plug, Green Cadmium	30.16	27.69	25.59
523-RJFC2B	RJFC2B	-	Yes	Cap for Panel Mount Receptacle, Black	25.32	23.39	21.36
523-RJFC2N	RJFC2N	-	Yes	Cap for Panel Mount Receptacle, Nickel	27.17	24.83	21.18
523-RJFC2G	RJFC2G	-	No	Cap for Panel Mount Receptacle, Green Cadmium	28.08	25.66	21.89
523-RJFC7B	RJFC7B	-	Yes	Cap for Jam Nut Receptacle, Black	32.91	30.21	27.92
523-RJFC7N	RJFC7N	-	Yes	Cap for Jam Nut Receptacle, Nickel	36.52	33.71	31.30
523-RJFC7G	RJFC7G	-	No	Cap for Jam Nut Receptacle, Green Cadmium	32.91	30.38	28.21



Data/Network/Telecom Amphenol

RJ FIELD TV THREADED ETHERNET CONNECTION SYSTEM

RJ Field allows you to use an Ethernet Class D / Cat. 5e connection for 10 BaseT, 100 BaseTX or 1000 BaseT networks in harsh environments.

- IP68, Sealed against fluids and dusts
- No tools required
- Tri-Start Thread coupling mechanism (MIL-DTL-38999 series III type) with anti-decoupling device
- Self coding/locking polarization in 4 positions (A,B,C,D)

For quantities of 25 and up, call for quote.

MOUSER STOCK NO.	Amphenol Part No.	Fig.	RoHS	Description	Price Each		
					1	5	10
Plugs							
523-RJFTV6N	RJFTV6N	I	Yes	Plug, Plastic Gland, Nickel	44.39	40.98	38.05
523-RJFTV6G	RJFTV6G	I	No	Plug, Plastic Gland, Green Cadmium	45.25	41.34	38.06
523-RJFTV6MN	RJFTV6MN	-	Yes	Plug, Metal Gland, Nickel	48.33	45.79	41.43
523-RJFTV6MG	RJFTV6MG	-	No	Plug, Metal Gland, Green Cadmium	51.92	47.20	43.27
Receptacles							
523-RJFTV21N	RJFTV21N	J	Yes	Panel Mount Recept., RJ45, Nickel	42.08	38.45	35.40
523-RJFTV21G	RJFTV21G	J	No	Panel Mount Recept., RJ45, Green Cadmium	41.94	38.33	35.29
523-RJFTV22N00	RJFTV22N00	K	Yes	Panel Mount Recept., PCB, Nickel	36.57	33.66	31.19
523-RJFTV22G00	RJFTV22G00	K	No	Panel Mount Recept., PCB, Green Cadmium	38.18	34.68	31.76
523-RJFTV2PE1N	RJFTV2PE1N	L	Yes	Panel Mount Recept., RJ45, Backshell Plastic Gland, Nickel	63.81	58.90	54.69
523-RJFTV2PE1G	RJFTV2PE1G	L	No	Panel Mount Recept., RJ45, Backshell Plastic Gland, Green Cadmium	63.31	58.25	53.93
523-RJFTV2PEM1N	RJFTV2PEM1N	L	Yes	Panel Mount Recept., RJ45, Backshell Metal Gland, Nickel	67.01	64.95	60.31
523-RJFTV2PEM1G	RJFTV2PEM1G	L	Yes	Panel Mount Recept., RJ45, Backshell Metal Gland, Green Cadmium	73.69	67.84	62.85
523-RJFTV71N	RJFTV71N	M	Yes	Jam Nut Recept., RJ45, Nickel	56.00	51.52	47.70
523-RJFTV71G	RJFTV71G	M	No	Jam Nut Recept., RJ45, Green Cadmium	61.14	55.63	51.03
523-RJFT72B00	RJFT72B00	N	Yes	Jam Nut Recept., PCB, Black	45.29	41.81	38.82
523-RJFTV72G00	RJFTV72G00	N	No	Jam Nut Recept., PCB, Green Cadmium	49.31	44.66	40.81
523-RJFTV72N00	RJFTV72N00	N	Yes	Jam Nut Recept., PCB, Nickel	45.16	41.68	38.71
523-RJFTV7PE1N	RJFTV7PE1N	O	Yes	Jam Nut Recept., RJ45, Backshell Plastic Gland, Nickel	70.85	65.40	60.73
523-RJFTV7PEM1N	RJFTV7PEM1N	O	Yes	Jam Nut Recept., RJ45, Backshell Metal Gland, Nickel	80.06	73.90	68.62
523-RJFTV7PEM1G	RJFTV7PEM1G	O	No	Jam Nut Recept., RJ45, Backshell Metal Gland, Green Cadmium	83.91	76.92	71.00
Accessories							
523-RJFTVC6N	RJFTVC6N	-	Yes	Cap for Plug, Nickel	37.47	34.50	31.96
523-RJFTVC6G	RJFTVC6G	-	No	Cap for Plug, Green Cadmium	36.58	33.37	31.18
523-RJFTVC2N	RJFTVC2N	-	Yes	Cap for Panel Mount Recept., Nickel	35.94	32.67	29.95
523-RJFTVC2G	RJFTVC2G	-	No	Cap for Panel Mount Recept., Green Cadmium	34.96	31.92	29.36
523-RJFTVC7N	RJFTVC7N	-	Yes	Cap for Jam Nut Recept., Nickel	39.24	36.22	33.63
523-RJFTVC7G	RJFTVC7G	-	No	Cap for Jam Nut Recept., Green Cadmium	41.15	37.41	34.29
360° EMI Shielded Kits							
523-KIT38081	KIT38081	-	No	Plug with Band, Shell, Backshell, RJ Stops & Sleeve	109.40	100.29	92.57
523-KIT38082	KIT38082	-	No	Recept. with Band, Shell, Sleeve, Backshell & Gasket	104.86	96.12	88.72