

# HARTING AdvancedMC™ Connectors for μTCA™ and ATCA®



## ADVANCEDMC™ CONNECTORS FOR MICROTCA™ (μTCA™) AND ADVANCEDTCA® (ATCA®)

### Specifications:

- Contact spacing: 0.75 mm
- Clearance and creepage distance between contacts: 0.1 mm min.
- Temperature range: -55 °C to +105 °C
- Durability: 200 mating cycles
- Termination technique: Press-in termination
- Mating force: 100 N max.
- Withdrawal force: 65 N max.
- Molded parts material: Palladium nickel plated, UL 94-V0
- Contact material: Copper Alloy
- Contact surface material: Selectively gold plated

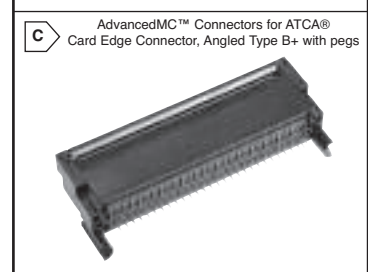
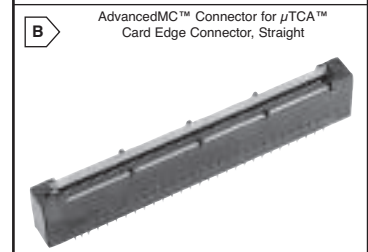
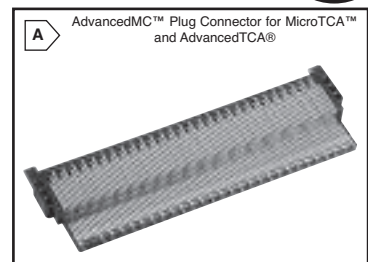
### AdvancedMC™ Plug Connector for MicroTCA™ and AdvancedTCA®

The HARTING AdvancedMC™ Plug Connector replaces the gold pads of the AMC Module card edge to create a two piece connector system. This provides many important advantages including significantly reduced module insertion forces, tighter controlled tolerances and a higher number of mating cycles. The AdvancedMC™ Plug Connector fits within the module envelope defined by the PICMG AMC.0 specification and is applicable to both AdvancedTCA® and MicroTCA™ applications.

### Features:

- Four step chamfered mating reduces insertion force by 50%
- Enables the use of PCBs outside of the 1.6mm±10% thickness range
- Reduces replacement cost of damaged boards (i.e. replace connector not module)
- Designed to support high speed signaling up to 6.25 Gbit/s transmission speeds, 12.5 Gbit/s transmission speeds in the future

MOUSER STOCK NO.	HARTING Part No.	Fig.	No. of Contacts	Pin Length (mm)	Description	Price Each		
						1	10	25
617-16-21-170-1301	16-21-170-1301-000	A	170	1.76	Plug connector	53.85	50.87	47.86



### AdvancedMC™ Connector for MicroTCA™ (μTCA™)

MicroTCA™ is an open industry standard developed by the PCI Industrial Computer Manufacturers Group (PICMG). In a MicroTCA™ system, AdvancedMC™ modules are plugged directly into a backplane and not into a carrier board. As a result MicroTCA™ system shelves are smaller and cheaper than AdvancedTCA® systems, yet powerful enough to address the needs of telecom, enterprise and medical applications.

### Features:

- Differential pins are isolated by the distance between signal and ground pins, resulting in low cross talk and excellent high speed performance
- Design according to: PICMG MicroTCA.0
- HARTING con:card+® technology for significant increase in connector reliability

MOUSER STOCK NO.	HARTING Part No.	Fig.	No. of Contacts	Pin Length (mm)	Description	Price Each		
						1	10	25
617-16-11-170-5202	16 11 170 5202 000	B	170	2.1	Card edge, straight	31.08	27.97	26.42

### AdvancedMC™ Connector for AdvancedTCA™ (ATCA™)

Advanced Telecommunications Computing Architecture (AdvancedTCA®) is an open industry standard developed by the PCI Industrial Computer Manufacturers Group (PICMG). Defined by PICMG 3.0, the AdvancedTCA® series of specifications targets the requirements of the next generation of carrier grade telecommunications equipment. To extend the functionality and modularity of AdvancedTCA® carrier boards, PICMG developed the Advanced Mezzanine Card (AdvancedMC™) standard AMC.0.

### Features:

- Superior transmission performance at high data transmission speeds designed to minimize interferences from cross talk and reflections
- Design according to: PICMG AMC.0

MOUSER STOCK NO.	HARTING Part No.	Fig.	No. of Contacts	Pin Length (mm)	Description	Price Each		
						1	10	25
617-16-04-170-5106	16 04 170 5106 000	C	170	2.0	Card edge, angled type B+ with peg	48.20	43.38	40.97

## HAR-MIK® SCSI (SMALL COMPUTER SYSTEM INTERFACE) I/O CONNECTORS

### Features:

- Meets SCSI-3 Specifications
- Pin and Socket
- Pitch: 1.27 mm
- Current rating: 1 A
- Contact resistance: ≤ 30mΩ
- Temperature Range: -55°C - +105°C
- Contacts: Copper Alloy
- Moldings: Thermoplastic resin, glass fiber filled - UL94V-0

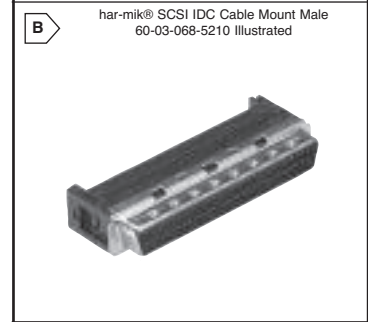


### SCSI Female PCB Connectors

For quantities of 100 or more, call for quote.

MOUSER STOCK NO.	HARTING Part No.	Fig.	No. of Contacts	Term.	Pin Length (mm)	Description	Price Each			
							1	10	25	50
<b>Straight</b>										
617-60-01-050-5102	60 01 050 5102	A	50	Solder Pins	3.4	with latch system	5.76	5.19	4.89	4.61
617-60-01-068-5102	60 01 068 5102	A	68	Solder Pins	3.4	with latch system	8.82	7.95	7.50	7.06
<b>Right Angle</b>										
617-60-01-050-5140	60 01 050 5140	A	50	Solder Pins	3.4	with latch system	6.02	5.42	5.12	4.81
617-60-01-068-5140	60 01 068 5140	A	68	Solder Pins	3.4	with latch system	9.14	8.23	7.77	7.32

†† Panel fixing: M2.5, Board fixing: board lock

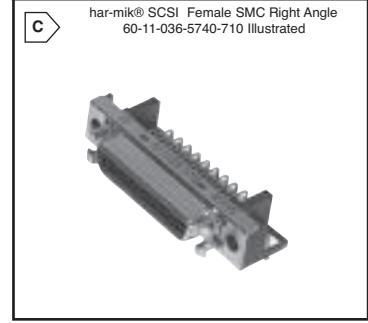


### SCSI IDC Cable Mount Connectors

For quantities of 100 and up, call for quote.

MOUSER STOCK NO.	HARTING Part No.	Fig.	No. of Contacts	Description	Price Each			
					1	10	25	50
<b>Male</b>								
617-60-03-050-5200	60 03 050 5200	B	50	for discrete wire 28/30 AWG	5.34	4.81	4.54	4.27
*617-60-03-068-5200	60 03 068 5200	B	68	for discrete wire 28/30 AWG	7.40	6.66	6.29	5.92
†617-60-03-068-5210	60 03 068 5210	B	68	for discrete wire 28/30 AWG	7.40	6.66	6.29	5.92
617-60-06-050-5440	60 06 050 5440	B	50	for flat cable, .635 mm, 30 AWG	9.85	9.34	9.04	8.61
617-60-06-068-5440	60 06 068 5440	B	68	for flat cable, .635 mm, 30 AWG	10.18	9.17	8.66	8.16
<b>Female</b>								
617-60-04-050-5343	60 04 050 5343	B	50	for flat cable w/ latch system, .635 mm	15.52	13.97	13.20	12.42
617-60-04-068-5343	60 04 068 5343	B	68	for flat cable w/ latch system, .635 mm	20.90	18.81	17.78	16.72
617-60-04-068-5344	60 04 068 5344	B	68	for flat cable w/ screw lock system, .635 mm	19.82	17.84	16.85	15.86

\* with 0.50-0.65mm diameter insulation  
† with 0.65-0.80mm diameter insulation



### SCSI Female SMC Right Angle Connectors

For quantities of 100 and up, call for quote.

MOUSER STOCK NO.	HARTING Part No.	Fig.	No. of Contacts	Description	Price Each			
					1	10	25	50
617-60110145740710	60110145740710	C	14	Bellow contacts with fixed latch	6.67	6.15	5.52	5.33
617-60110265740710	60110265740710	C	26	Bellow contacts with fixed latch	7.64	6.87	6.50	6.12
617-60110365740710	60110365740710	C	36	Bellow contacts with fixed latch	10.65	9.65	8.81	8.52

### Hoods

For quantities of 100 and up, call for quote.

MOUSER STOCK NO.	HARTING Part No.	Fig.	No. of Contacts	Description	Price Each			
					1	10	25	50
617-60-03-050-0255	60 03 050 0255	-	50	Metal hood with latch	6.38	6.05	5.85	5.57
617-60-03-068-0255	60 03 068 0255	-	68	Metal hood with latch	7.62	6.86	6.49	6.10

