

EVERLIGHT SMD LEDs

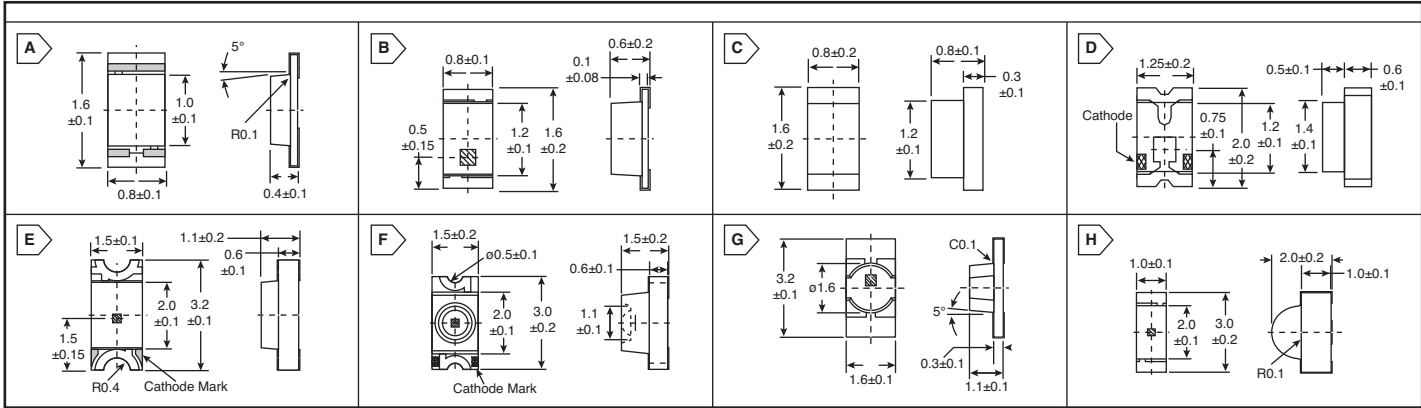


LIGHTING FOREVER

RoHS Compliant This product is RoHS compliant.

Illumination

Everlight



SMD LEDs

For quantities of 2000 and up, call for quote.

MOUSER STOCK NO.	Everlight Part No.	Fig.	Color		Wavelength	Iv(mcd)	Angle	Price Each			
			Emitted	Lens				1	100	500	1000
0603 Low Profile SMD LEDs											
638-19217Y5CP1Q23	EL-19-217/Y5C-AP1Q2/3T	A	Yellow	Water Clear	589	75	120°	.16	.118	.097	.086
638-19217BHCN1P23	EL-19-217/BHC-AN1P2/3T	A	Blue	Water Clear	470	40	120°	.27	.20	.164	.146
638-19217W1DANPHY3	EL-19-217/W1D-ANPHY/3T	A	White	Yellow Diffused	-	40	130°	1.09	.80	.65	.58
638-19215UYCS530	EL-19-215UYC/S530-A2/TR8	B	Yellow	Water Clear	589	39	120°	.12	.09	.07	.06
638-1921UBCC430	EL-19-21UBC/C430/TR8	B	Blue	Water Clear	466	18	120°	.69	.50	.41	.37
0603 SMD LEDs											
638-QTLP600C7	QTLP600C7TR	C	Red	Water Clear	660	20	100°	.13	.093	.076	.068
638-QTLP600C2TR	QTLP600C2TR	C	Hi-Eff Red	Water Clear	635	9	100°	.16	.114	.094	.083
638-QTLP600CRTR	QTLP600CRTR	C	Red	Water Clear	630	35	100°	.11	.084	.068	.061
638-1925SURCS530-A2	EL-19-21SURC/S530-A2/TR8	C	Hyper Red	Water Clear	624	39	100°	.14	.099	.081	.072
638-QTLP600CETR	QTLP600CETR	C	Orange	Water Clear	620	35	100°	.19	.137	.112	.10
638-QTLP600CYTR	QTLP600CYTR	C	Yellow	Water Clear	590	35	100°	.11	.084	.068	.061
638-192UYCS530-A2	EL-19-21UYC/S530-A2/TR8	C	Yellow	Water Clear	589	40	100°	.14	.099	.081	.072
638-QTLP600C3	QTLP600C3TR	C	Yellow	Water Clear	585	9	100°	.11	.084	.068	.061
638-192VGC	EL-19-21VGC/TR8	C	Green	Water Clear	571	12.5	100°	.13	.10	.08	.07
638-QTLP600C4	QTLP600C4TR	C	Green	Water Clear	565	18	100°	.14	.103	.084	.075
638-QTLP600CIGTR	QTLP600CIGTR	C	True Green	Water Clear	520	110	100°	2.03	1.49	1.22	1.08
638-QTLP601CEBTR	QTLP601CEBTR	C	Blue	Water Clear	470	16	120°	1.08	.80	.65	.58
638-192BHC-AN1P23T	EL-19-21/BHC-AN1P2/3T	C	Blue	Water Clear	470	40	100°	.24	.173	.142	.126
638-QTLP600CBTR	QTLP600CBTR	C	Blue	Water Clear	430	20	100°	.64	.47	.38	.34
0805 SMD LEDs											
638-1725SURCS530-A2	EL-17-21SURC/S530-A2/TR8	D	Hyper Red	Water Clear	624	42	140°	.14	.099	.081	.072
638-172UYCS530-A2	EL-17-21UYC/S530-A2/TR8	D	Yellow	Water Clear	589	43	140°	.11	.08	.065	.058
638-172VGC	EL-17-21VGC/TR8	D	Green	Water Clear	571	10	140°	.12	.09	.07	.07
638-172BHC-AN1P23T	EL-17-21/BHC-AN1P2/3T	D	Blue	Water Clear	470	45	140°	.24	.179	.146	.13
638-172UBCC430	EL-17-21UBC/C430/TR8	D	Blue	Water Clear	466	20	140°	.68	.50	.41	.36
638-172W1D-ANPHY35	EL-17-21/W1D-ANPHY/35	D	White	Yellow Diffused	-	40	150°	.75	.55	.45	.40
1206 SMD LEDs											
638-QTLP650CRTR	QTLP650CRTR	E	Red	Water Clear	660	25	140°	.20	.149	.122	.108
638-QTLP650D2	QTLP650D2TR	E	Hi-Eff Red	Red Diffused	635	4	160°	.14	.10	.082	.073
638-QTLP650C2	QTLP650C2TR	E	Hi-Eff Red	Water Clear	635	6	140°	.20	.149	.122	.108
638-1525SURCS530-A2	EL-15-21SURC/S530-A2/TR8	E	Hyper Red	Water Clear	624	38	130°	.15	.11	.09	.08
638-QTLP650CETR	QTLP650CETR	E	Orange	Water Clear	620	28	140°	.20	.149	.122	.108
638-QTLP650CYTR	QTLP650CYTR	E	Yellow	Water Clear	590	44	140°	.20	.149	.122	.108
638-152UYCS530-A2	EL-15-21UYC/S530-A2/TR8	E	Yellow	Water Clear	589	39	130°	.15	.11	.09	.08
638-QTLP650D3	QTLP650D3TR	E	Yellow	Yellow Diffused	585	4	160°	.15	.111	.091	.081
638-152VGC	EL-15-21VGC/TR8	E	Green	Water Clear	571	13	130°	.15	.11	.09	.08
638-QTLP650D4	QTLP650D4TR	E	Green	Green Diffused	565	6	160°	.14	.099	.081	.072
638-QTLP650C4	QTLP650C4TR	E	Green	Water Clear	565	10	140°	.14	.099	.081	.072
638-152BHC-AN1P22T	EL-15-21/BHC-AN1P2/2T	E	Blue	Water Clear	470	40	130°	.35	.26	.21	.186
1206 SMD LEDs With Inner Lens											
638-QTLP652C7	QTLP652C7TR	F	AlGaAs Red	Water Clear	660	30	20°	.22	.16	.13	.12
638-QTLP652C2	QTLP652C2TR	F	Hi-Eff Red	Water Clear	635	15	20°	.22	.16	.13	.12
638-121SURCS530A28	EL-11-21SURC/S530-A2/TR8	F	Hyper Red	Water Clear	624	71	60°	.15	.107	.088	.078
638-1121UYCS530A28	EL-11-21UYC/S530-A2/TR8	F	Yellow	Water Clear	589	73	60°	.15	.107	.088	.078
638-QTLP652C3	QTLP652C3TR	F	Yellow	Water Clear	585	16	20°	.22	.16	.13	.12
638-11-21VGC/TR8	EL-11-21VGC/TR8	F	Green	Water Clear	571	35	60°	.23	.17	.14	.12
638-QTLP652C4	QTLP652C4TR	F	Green	Water Clear	565	20	20°	.25	.183	.149	.133
638-11-21UBGC/TR8	EL-11-21UBGC/TR8	F	Blue Green	Water Clear	505	103	60°	3.07	2.24	1.83	1.63
638-1121BHCAP2R12T	EL-11-21/BHC-AP2R1/2T	F	Blue	Water Clear	470	100	60°	.29	.21	.176	.156
1206 SMD LEDs Reverse Mount											
638-2421UYCS530A28	EL-24-21UYC/S530-A2/TR8	G	Yellow	Water Clear	589	41	130°	.18	.135	.11	.098
638-24-21VGC/TR8	EL-24-21VGC/TR8	G	Green	Water Clear	571	15	130°	.26	.19	.15	.14
638-24-21UBGC/TR8	EL-24-21UBGC/TR8	G	Blue Green	Water Clear	505	58	130°	1.60	1.17	.96	.85
638-2421UBCC430TR8	EL-24-21UBC/C430/TR8	G	Blue	Water Clear	466	18	130°	1.58	1.16	.95	.84
1206 SMD LEDs Reverse Mount With Inner Lens											
638-251SURCS530A28	EL-25-21SURC/S530-A2/TR8	G	Hyper Red	Water Clear	624	44	60°	.18	.129	.106	.094
638-2521UYCS530A28	EL-25-21UYC/S530-A2/TR8	G	Yellow	Water Clear	589	45	60°	.18	.129	.106	.094
638-25-21UBGC/TR8	EL-25-21UBGC/TR8	G	Blue Green	Water Clear	505	64	60°	1.81	1.32	1.08	.96
638-2521UBCC430TR8	EL-25-21UBC/C430/TR8	G	Blue	Water Clear	466	20	60°	1.53	1.12	.92	.81
638-2521W1DANQHY2A	EL-25-21/W1D-ANQHY/2A	G	White	Yellow Diffused	-	50	70°	1.56	1.14	.93	.83
1206 SMD LEDs Right Angle											
638-QTLP610CRTR	QTLP610CRTR	H	Red	Water Clear	660	15	140°	.18	.13	.106	.095
638-QTLP610CEBTR	QTLP610CEBTR	H	Blue	Water Clear	475	16	120°	.99	.73	.59	.53
638-1221BHCAN192C	EL-12-21/BHC-AN192/2C	H	Blue	Water Clear	470	45	100°	.43	.29	.22	.18

