

# FUJITSU microGiGaCN I/O Connectors



This product is RoHS compliant.

## microGiGaCN HIGH SPEED I/O CONNECTORS

Designed for high speed differential signal applications such as 10G Ethernet, CX4, SAS, and SATA-2 applications. RoHS compliance per Fujitsu documentation.

### Features:

- Matched Impedance: 100Ω ±10%
- Low insertion loss and low cross talk
- Adopted by InfinBand as 4x (4 channel) and 12x (12 channel) I/O Interface
- Meets Bellcore 1217
- Insulator Material: LCP Resin (UL94V-0)
- Conductor Material: Copper Alloy
- Contact Plating: Gold Plated

### Specifications:

- Operating Temperature Range: -55°C to +105°C
- Current Rating: AC 0.5A (signal)  
AC 1A (ground)
- Voltage Rating: AC 30V
- Contact Resistance: 80 mΩ max. (signal)  
35 mΩ max. (ground)
- Insulation Resistance: 1000 MΩ minimum



RoHS Compliant

### Socket Connectors

For quantities of 50 and up, call for quote.

| MOUSER STOCK NO.                          | Fujitsu Part No.   | Fig. | Polarization Posts | Solder Posts | Price Each |       |       |      |
|---|--------------------|------|--------------------|--------------|------------|-------|-------|------|
|   |                    |      |                    |              | 1          | 5     | 10    | 25   |
| <b>Latch Style with Alignment Post</b>    |                    |      |                    |              |            |       |       |      |
| 817-FCN-268D008-G1D                       | FCN-268D008-G/1D   | A    | - - -              | 0.063        | 7.94       | 7.35  | 6.73  | 6.30 |
| <b>Latch Style with Crush Pin Feature</b> |                    |      |                    |              |            |       |       |      |
| 817-FCN-268D008-G2D                       | FCN-268D008-G/2D   | A    | low force          | 0.063        | 7.94       | 7.35  | 6.73  | 6.30 |
| 817-FCN-268D008-G2F                       | FCN-268D008-G/2F   | A    | low force          | 0.093        | 7.94       | 7.35  | 6.73  | 6.30 |
| <b>Thumbscrew</b>                         |                    |      |                    |              |            |       |       |      |
| 817-FCN-268D008-G20                       | FCN-268D008-G/20   | B    | low force          | 0.063        | 9.02       | 8.35  | 7.64  | 7.16 |
| 817-FCN-268D008-G21                       | FCN-268D008-G/21   | B    | low force          | 0.093        | 9.02       | 8.35  | 7.64  | 7.16 |
| <b>Latch Style w/ Mounting Ears</b>       |                    |      |                    |              |            |       |       |      |
| 817-FCN-268D008-G3LR                      | FCN-268D008-G/3L-R | C    | diamond            | 0.063        | 11.60      | 10.74 | 9.83  | 9.21 |
| 817-FCN-268D008-G3MR                      | FCN-268D008-G/3M-R | C    | diamond            | 0.093        | 11.60      | 10.74 | 9.83  | 9.21 |
| <b>Vertical Latch Style</b>               |                    |      |                    |              |            |       |       |      |
| 817-FCN-264D008-G2D                       | FCN-264D008-G/2D   | D    | low force          | 0.063        | 11.86      | 10.98 | 10.05 | 9.41 |
| 817-FCN-264D008-G2F                       | FCN-264D008-G/2F   | D    | low force          | 0.093        | 11.86      | 10.98 | 10.05 | 9.41 |

### Hand Tool

Installs single retention clip which is included with the socket.

| MOUSER STOCK NO.   | Fujitsu Part No. | Price Each |
|--------------------|------------------|------------|
| 817-FCN-268T-T514H | FCN-268T-T514/H  | 1129.41    |

### Loopback Modules

For quantities of 50 and up, call for quote.

| MOUSER STOCK NO. | Fujitsu Part No. | Fig. | No. of Pairs | Price Each |       |       |       |
|------------------|------------------|------|--------------|------------|-------|-------|-------|
|                  |                  |      |              | 1          | 5     | 10    | 25    |
| 817-FCN-261Z008  | FCN-261Z008      | E    | 8            | 35.72      | 33.07 | 30.27 | 28.35 |

## microGiGaCN STACKING MEZZANINE CONNECTORS

### Features:

- High speed matched impedance (100Ω) differential signal connector.
- Low cross talk
- Hot pluggable
- Insulator: LCP Resin (UL94V-0)
- Conductor: Copper Alloy
- Contact Plating: Au over Pd-Ni plated
- RoHS compliance per Fujitsu documentation

### Specifications:

- Operating Temperature Range: -55°C to +105°C
- Current Rating: AC 0.5A (signal)  
AC 1A (ground)
- Voltage Rating: AC 30V
- Contact Resistance: 80 mΩ max. (signal)  
40 mΩ max. (ground)
- Insulation Resistance: 1000 MΩ minimum



RoHS Compliant

### Socket Connectors

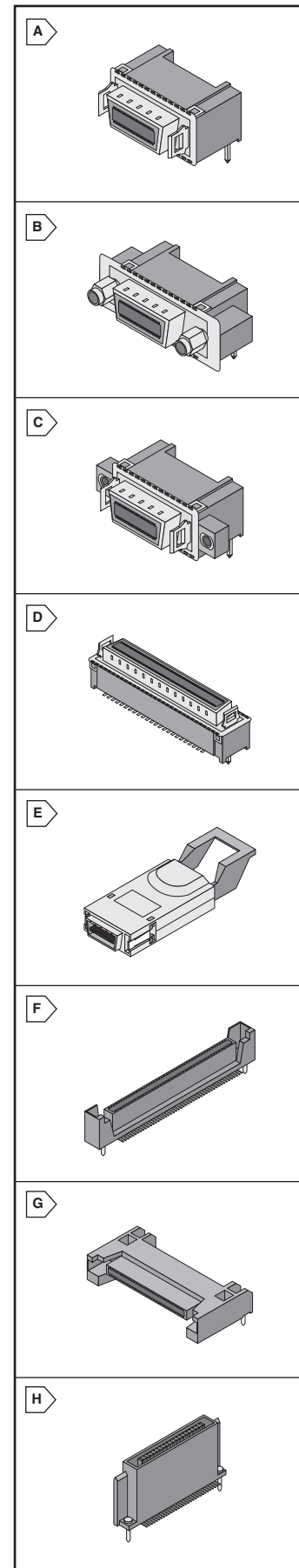
For quantities of 50 and up, call for quote.

| MOUSER STOCK NO.         | Fujitsu Part No. | Fig. | No. of Pair Signals | No. of Contacts | Price Each |       |      |      |
|--------------------------|------------------|------|---------------------|-----------------|------------|-------|------|------|
|                          |                  |      |                     |                 | 1          | 5     | 10   | 25   |
| <b>Vertical Mount</b>    |                  |      |                     |                 |            |       |      |      |
| 817-FCN-268F012-G0D      | FCN-268F012-G/0D | F    | 12                  | 24 Sig/13 Gnd   | 3.08       | 2.85  | 2.61 | 2.44 |
| 817-FCN-268F024-G0D      | FCN-268F024-G/0D | F    | 24                  | 48 Sig/25 Gnd   | 7.66       | 7.09  | 6.49 | 6.08 |
| 817-FCN-268F036-G0D      | FCN-268F036-G/0D | F    | 36                  | 72 Sig/37 Gnd   | 11.54      | 10.69 | 9.78 | 9.16 |
| <b>Right Angle Mount</b> |                  |      |                     |                 |            |       |      |      |
| 817-FCN-268F012-GBD      | FCN-268F012-G/BD | G    | 12                  | 24 Sig/13 Gnd   | 7.42       | 6.87  | 6.29 | 5.89 |

### Plug Connectors

For quantities of 50 and up, call for quote.

| MOUSER STOCK NO.      | Fujitsu Part No. | Fig. | No. of Pairs | Stack Height | Price Each |       |       |       |
|-----------------------|------------------|------|--------------|--------------|------------|-------|-------|-------|
|                       |                  |      |              |              | 1          | 5     | 10    | 25    |
| <b>Vertical Mount</b> |                  |      |              |              |            |       |       |       |
| 817-FCN-268M012-G0D   | FCN-268M012-G/0D | H    | 12           | 8mm          | 5.94       | 5.50  | 5.03  | 4.71  |
| 817-FCN-268M012-G1D   | FCN-268M012-G/1D | H    | 12           | 10mm         | 6.46       | 5.98  | 5.47  | 5.13  |
| 817-FCN-268M012-G2D   | FCN-268M012-G/2D | H    | 12           | 12mm         | 6.68       | 6.19  | 5.66  | 5.30  |
| 817-FCN-268M012-G3D   | FCN-268M012-G/3D | H    | 12           | 14mm         | 6.92       | 6.41  | 5.86  | 5.49  |
| 817-FCN-268M024-G0D   | FCN-268M024-G/0D | H    | 24           | 8mm          | 9.32       | 8.63  | 7.90  | 7.40  |
| 817-FCN-268M024-G1D   | FCN-268M024-G/1D | H    | 24           | 10mm         | 9.78       | 9.06  | 8.29  | 7.76  |
| 817-FCN-268M024-G3D   | FCN-268M024-G/3D | H    | 24           | 14mm         | 10.68      | 9.89  | 9.05  | 8.48  |
| 817-FCN-268M036-G0D   | FCN-268M036-G/0D | H    | 36           | 8mm          | 16.02      | 13.74 | 13.05 | 12.02 |
| 817-FCN-268M036-G3D   | FCN-268M036-G/3D | H    | 36           | 14mm         | 15.38      | 14.24 | 13.03 | 12.21 |



Data/Network/Telecom

Fujitsu