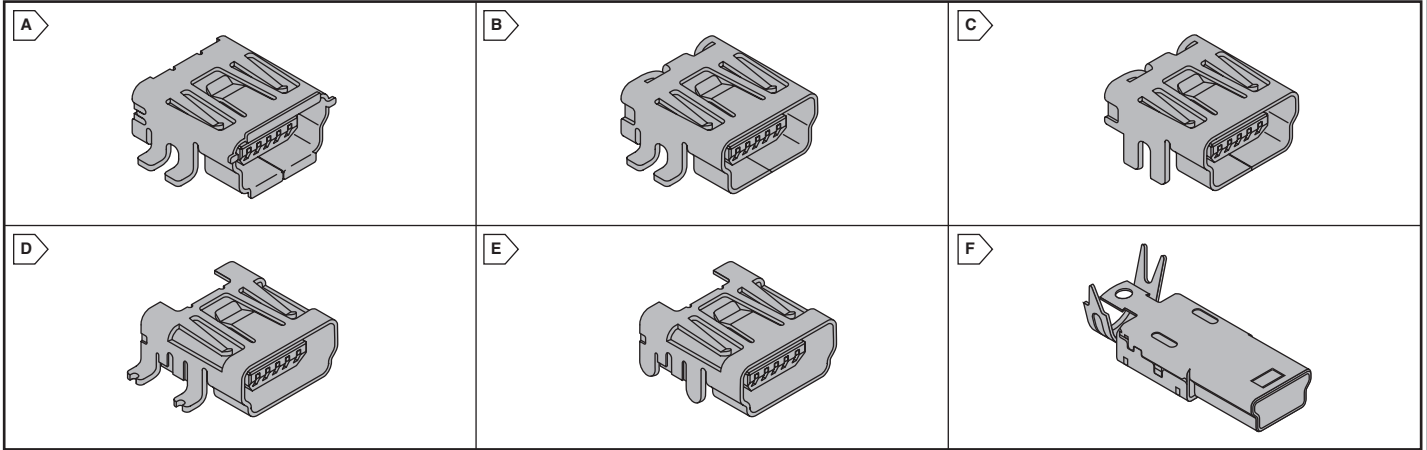


# HIROSE Mini-USB and SD Card Connectors



HIROSE ELECTRIC CO., LTD.

RoHS Compliant This product is RoHS compliant.



## MINI-USB CONNECTORS - MINI-B TYPE

**Specifications:**

- USB 2.0 standard
- Contact mating area: Gold
- Insulator: Black - UL94V-0
- Current: 1A



RoHS Compliant

**Receptacles**

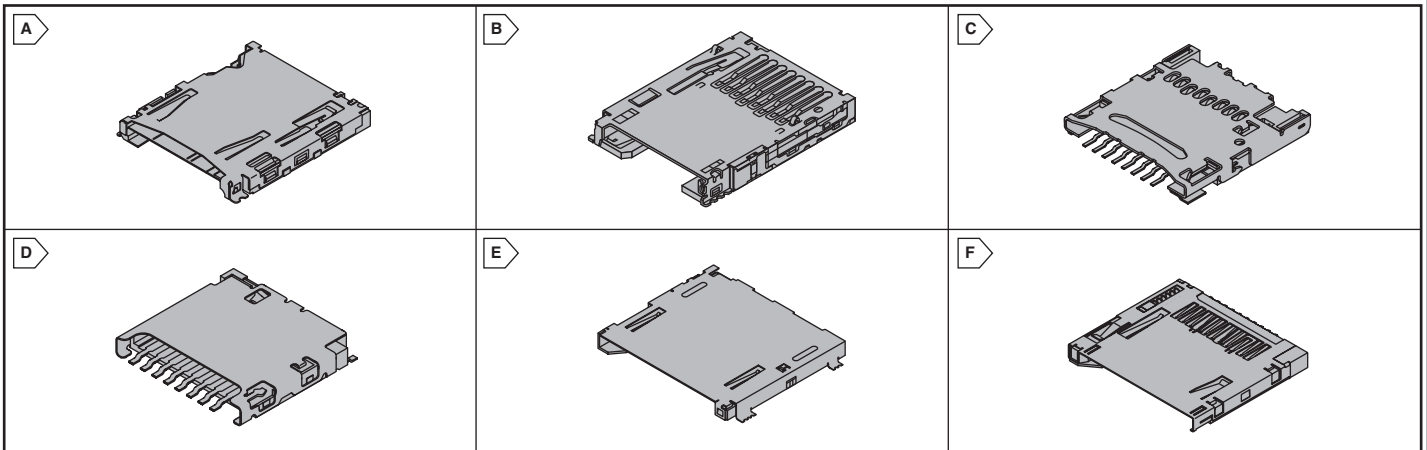
For quantities of 250 and up, call for quote.

MOUSER STOCK NO.	Hirose Part No.	Fig.	Description	Mounting Style	Termination Style	Price Each		
						1	25	100
798-UX60SA-MB-5ST	UX60SA-MB-5ST	A	R/A with interface entry angle	Bottom Mount	SMT	1.37	.99	.81
798-UX60SC-MB-5ST	UX60SC-MB-5ST	B	Right Angle	Bottom Mount	SMT	1.33	.95	.77
798-UX60SD-MB-5S55	UX60SD-MB-5S55	B	Right Angle	Mid Mount	SMT	1.33	.96	.78
798-UX60SC-MB-5S8	UX60SC-MB-5S8	C	Right Angle	Bottom Mount	SMT/ Thru-hole shell	1.29	.93	.76
798-UX60-MB-5ST	UX60-MB-5ST	D	R/A with positioning post	Bottom Mount	SMT	1.18	.85	.697
798-UX60A-MB-5ST	UX60A-MB-5ST	D	R/A with out positioning post	Bottom Mount	SMT	1.18	.85	.697
798-UX60-MB-5S8	UX60-MB-5S8	E	R/A with positioning post	Thru-Hole	Solder Dip	1.18	.85	.697

**Plug Assemblies**

For quantities of 250 and up, call for quote.

MOUSER STOCK NO.	Hirose Part No.	Fig.	Description	Termination Type	Cable Diameter	Price Each		
						1	25	100
798-UX40-MB-5P	UX40-MB-5P	F	Straight Plug	Direct wire solder	3.5 - 4.0mm	1.18	.85	.697
798-UX40A-MB-5P	UX40A-MB-5P	F	Straight Plug	Direct wire solder	4.1 - 4.6mm	1.18	.85	.697



## SD CARD CONNECTORS

**Features:**

- Reliable card insertion and withdrawal
- Card fall-out prevention

**Specifications:**

- Contact mating area: Gold
- Insulator: Black - UL94V-0
- Voltage: 125V AC
- Current: 0.5A



RoHS Compliant

For quantities of 250 and up, call for quote.

MOUSER STOCK NO.	Hirose Part No.	Fig.	Description	Mounting Style	Termination Style	Price Each		
						1	25	100
<b>MicroSD Card Connectors</b>								
798-DM3AT-SF-PEJ	DM3AT-SF-PEJ	A	Right Angle SMT	Standard	Push-Push	2.93	2.25	1.80
798-DM3BT-DSF-PEJS	DM3BT-DSF-PEJS	B	Right Angle SMT	Reverse	Push-Push	2.76	2.12	1.70
798-DM3C-SF	DM3C-SF	C	Right Angle SMT	Standard	Hinge, Push-Pull	2.02	1.55	1.24
798-DM3D-SF	DM3D-SF	D	Right Angle SMT	Standard	Push-Pull	1.92	1.47	1.18
<b>SD Card Connectors</b>								
798-DM1AA-SF-PEJ82	DM1AA-SF-PEJ(82)	E	Right Angle SMT	Standard	Push-Push	3.97	3.65	3.35
798-DM1B-DSF-PEJ82	DM1B-DSF-PEJ(82)	F	Right Angle SMT	Reverse	Push-Push	3.44	3.16	2.90



NEW SUPPLIER NEW SUPPLIER Data/Network/Telecom Hirose NEW SUPPLIER NEW SUPPLIER