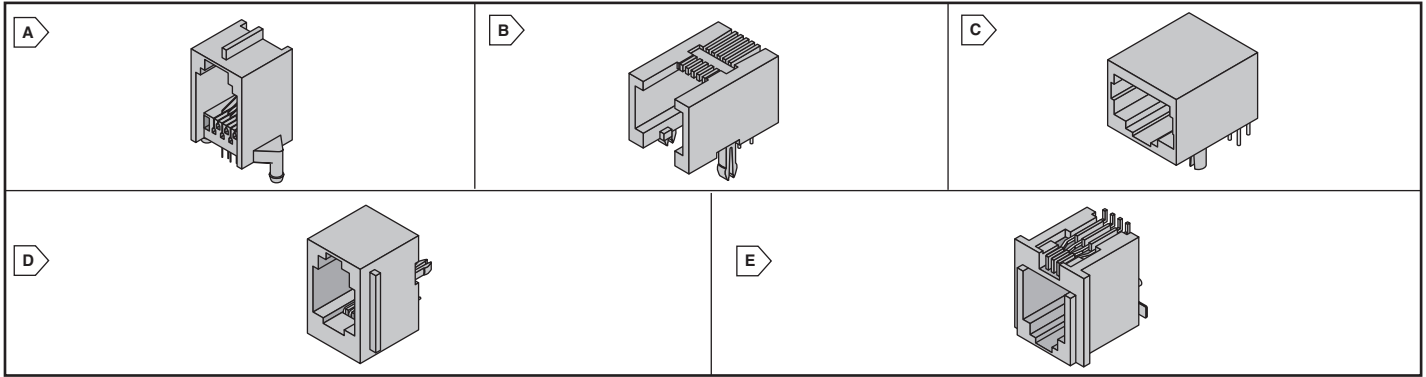


# Modular Connectors



## FCI SINGLE PORT, CAT 3 MODULAR JACKS

**Features:**

- Right angle or Straight
- Through Mount or SMT
- Snap or Diamond peg options
- Standard, raised or low profile versions
- RoHS Compliant per FCI documentation



RoHS Compliant

### Horizontal-Through Mount

For quantities of 500 and up, call for quote.

MOUSER STOCK NO.	FCI Part No.	Fig.	Positions / Contacts	Pegs	Color	Shielded	Price Each			
							1	10	50	100
649-66010-001LF	66010-001LF	A	4-4	Snap	Gray	No	.51	.47	.44	.42
649-66011-002LF	66011-002LF	A	6-6	Snap	Gray	No	.56	.51	.48	.45
649-87180-044LF	87180-044LF	B	4-4	Snap	Black	No	.87	.78	.65	.60
649-87180-064LF	87180-064LF	B	6-4	Snap	Black	No	.79	.71	.68	.64
649-88400-064LF	88400-064LF	B	6-4	Snap	Black	No	.41	.37	.36	.34
649-87180-066LF	87180-066LF	B	6-6	Snap	Black	No	.86	.78	.75	.69
649-88400-066LF	88400-066LF	B	6-6	Snap	Black	No	.49	.45	.42	.40
649-87180-088LF	87180-088LF	B	8-8	Snap	Black	No	.96	.93	.85	.76
649-54602-908LF	54602-908LF	C	8-8	Snap	Black	No	.31	.27	.26	.24
649-54602-910LF	54602-910LF	C	10-10	Snap	Black	No	.34	.31	.30	.28

### Vertical-Through Mount

For quantities of 500 and up, call for quote.

MOUSER STOCK NO.	FCI Part No.	Fig.	Positions / Contacts	Pegs	Color	Shielded	Price Each			
							1	10	50	100
649-61835-0441LF	61835-0441LF	D	4-4	Snap	Black	No	.30	.27	.26	.24
649-90512-003LF	90512-003LF	D	6-4	Snap	Black	No	.37	.34	.32	.29
649-69254-001LF	69254-001LF	D	6-6	Diamond	Black	No	.87	.80	.76	.71
649-90512-001LF	90512-001LF	D	6-6	Snap	Black	No	.86	.78	.75	.69
649-69255-001LF	69255-001LF	D	8-8	Diamond	Black	No	.94	.86	.82	.77
649-90598-001LF	90598-001LF	D	8-8	Snap	Black	No	1.25	1.13	1.08	.98
649-94152-088LF	94152-088LF	D	8-8	Snap	Black	Yes	1.27	1.15	1.10	1.04

### Vertical-Surface Mount

For quantities of 500 and up, call for quote.

MOUSER STOCK NO.	FCI Part No.	Fig.	Positions / Contacts	Pegs	Color	Shielded	Price Each			
							1	10	50	100
649-87545-4111LF	87545-4111LF	E	6-6	Surface Mount Peg	Black	No	1.27	1.15	1.10	1.04
649-87547-4111LF	87547-4111LF	E	8-8	Surface Mount Peg	Black	No	1.25	1.14	1.07	.98

## BOMAR EZ-RJ45™ CATEGORY 5 AND 6 MODULAR SYSTEM

- EZ-RJ45™ connector simplifies installation by allowing the pairs to be passed through the connector and then trimmed to the edge of the plug.



For quantities of 500 and up, call for quote.

MOUSER STOCK NO.	Bomar Part No.	Fig.	Description	Mount/Cable Type	Price Each			
					1	10	25	100
678-300566EZ	300566EZ	A	6P 6C EZ-Plug	12	.62	.56	.54	.50
678-300568EZ	300568EZ	A	8P 8C CAT5 EZ-Plug	45	1.24	1.13	1.09	1.00
678-300668EZ	300668EZ	A	8P 8C CAT6 EZ-Plug	45	1.34	1.22	1.18	1.08
678-300685EZ	300685EZ	B	8P 8C CAT 6 Shielded EZ-Plug	45	2.86	2.60	2.43	2.18
678-BD45000	BD45000	C	Crimp and trimming tool for EZ-RJ	11, 12, 45	90.67	83.69	call	call
678-CXB300EZGY	CXB300EZGY	D	Cat 6 Boot for EZRJ45	---	.58	.53	.51	.47
678-CXB500EZ	CXB500EZ	E	Cat 5 Snagless boot for EZ	---	.62	.56	.54	.50
678-CXB600EZ	CXB600EZ	E	Cat 6 Snagless boot for EZ	---	.62	.56	.54	.50

