

# AMPHENOL Modular Jacks

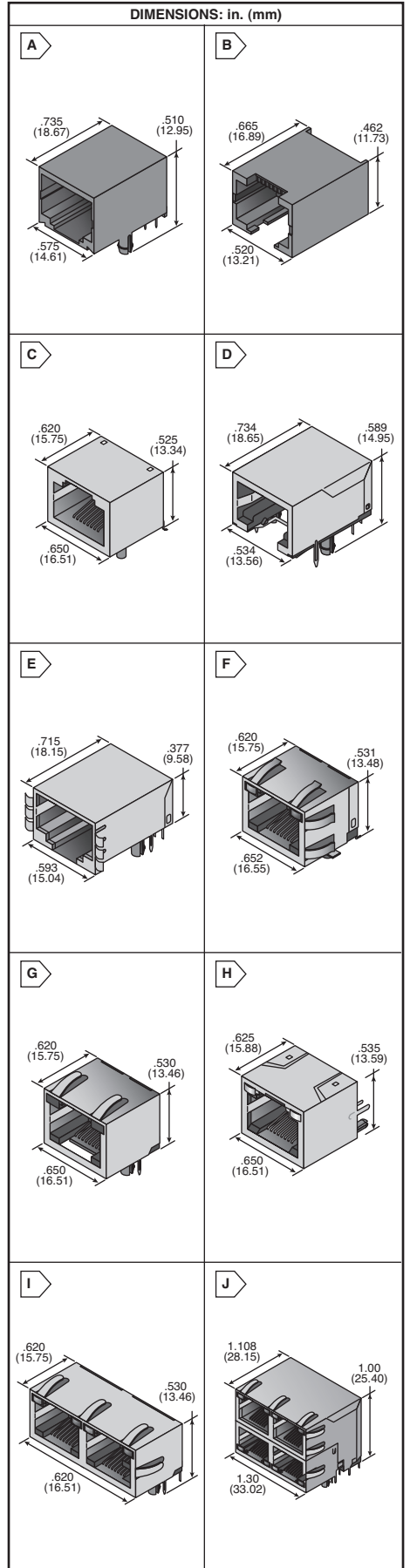
# Amphenol®

RoHS Compliant This product is RoHS compliant.

## RJ45 AND RJ11 MODULAR JACKS

For quantities of 500 and up, call for quote.

MOUSER STOCK NO.	Amphenol Part No.	Fig.	Description	No. of Pos.	Price Each			
					1	10	50	100
523-FRJAE-448	FRJAE-448	A	RJ45 Filtered Only	4	1.69	1.53	1.40	1.29
523-FRJAE-468	FRJAE-468	A	RJ45 Filtered with Rear Tab Shield	4	1.98	1.80	1.65	1.52
523-FRJAE-438	FRJAE-438	A	RJ45 Shielded with Front Tab	4	1.90	1.69	1.55	1.43
523-FRJAE-418	FRJAE-418	A	RJ45 Filtered w/ Front Tab Shield	4	1.98	1.80	1.65	1.52
523-FRJAE-408	FRJAE-408	A	RJ45 Non-Filtered & Non-Shielded	4	1.25	1.15	1.07	1.00
523-FRJAE-488	FRJAE-488	A	RJ45 Shielded Only with Rear Tab	4	1.86	1.69	1.55	1.43
523-FRJAE-666	FRJAE-666	A	RJ11 Filtered with Rear Tab Shield	6	1.90	1.69	1.55	1.43
<b>Low Profile SMT Series</b>								
523-RJLSE-62061-01T	RJLSE-62061-01T	B	RJ11 Shielded	6	.80	.73	.67	.62
523-RJLSE-62361-01T	RJLSE-62361-01T	B	RJ11 Non-Shielded	6	.76	.63	.58	.54
523-RJLSE-42081-01T	RJLSE-42081-01T	B	RJ45 Non-Shielded	8	.86	.78	.72	.66
523-RJLSE-42381-01T	RJLSE-42381-01T	B	RJ45 Standard Shield w/SMT Tab	8	.87	.80	.74	.69
<b>SMT</b>								
523-RJSSE5080	RJSSE5080	C	RJ45 Non-Shielded Single Port	8	.96	.87	.80	.74
523-RJSSE5081	RJSSE5081	C	RJ45 Non-Shld Sngl Port w/Light Pipe	8	1.06	.96	.88	.82
523-RJSSE5380	RJSSE5380	C	RJ45 Shielded Single Port	8	1.26	1.15	1.05	.97
523-RJSSE5381	RJSSE5381	C	RJ45 Shlded Sngl Port w/Light Pipe	8	1.36	1.24	1.13	1.05
<b>High Temp Thermoplastic Ultra Low Profile</b>								
523-RJE05-188-1310	RJE05-188-1310	D	RJ45 Shielded Single Port	8	1.32	1.20	1.02	1.00
523-RJE05-188-0310	RJE05-188-0310	D	RJ45 Non-Shielded Single Port	8	.96	.87	.80	.74
523-RJE05-166-1310	RJE05-166-1310	D	RJ11 Shielded Single Port	6	1.05	.97	.91	.85
523-RJE05-166-0310	RJE05-166-0310	D	RJ11 Non-Shielded Single Port	6	.92	.84	.77	.71
<b>Ultra Low Profile</b>								
523-RJULE-42182-01	RJULE-42182-01	E	RJ45 9.58 mm profile Shielded	8	1.30	1.18	1.08	1.00



## RJ45 AND RJ11 MODULAR JACKS WITH LED'S

For quantities of 500 and up, call for quote.

MOUSER STOCK NO.	Amphenol Part No.	Fig.	LED 2 Color	LED 1 Color	# of Ports	No. of Pos.	Price Each			
							1	10	50	100
<b>RJ45 Shielded EMI Quiet Inverted SMT w/ LED Option</b>										
523-RJCSE-5380-01	RJCSE-5380-01	F	---	---	1	8	1.20	1.09	1.00	.92
523-RJCSE-5381-01	RJCSE-5381-01	F	Yellow	Green	1	8	1.30	1.18	1.08	1.00
523-RJCSE-5385-01	RJCSE-5385-01	F	Green	Green	1	8	1.30	1.18	1.08	1.00
<b>RJVISTA® Non-shielded CAT 5E EMI Quiet w/ LED Option</b>										
523-RJHSE-5080	RJHSE-5080	G	---	---	1	8	.55	.50	.46	.42
523-RJHSE-5081	RJHSE-5081	G	Yellow	Green	1	8	.81	.72	.64	.59
523-RJHSE-5082	RJHSE-5082	G	---	Green	1	8	.90	.82	.75	.69
523-RJHSE-5084	RJHSE-5084	G	Green	Yellow	1	8	.88	.79	.71	.66
523-RJHSE-5085	RJHSE-5085	G	Green	Green	1	8	.94	.85	.78	.71
523-RJHSE-5086	RJHSE-5086	G	Yellow	Yellow	1	8	.90	.82	.75	.69
<b>RJVISTA® Shielded CAT 5E EMI Quiet w/ LED Option</b>										
523-RJHSE-5380	RJHSE-5380	G	---	---	1	8	.98	.83	.80	.75
523-RJHSE-5381	RJHSE-5381	G	Yellow	Green	1	8	1.17	1.04	.92	.84
523-RJHSE-5382	RJHSE-5382	G	---	Green	1	8	1.34	1.22	1.12	1.03
523-RJHSE-5384	RJHSE-5384	G	Green	Yellow	1	8	1.17	1.04	.92	.84
523-RJHSE-5385	RJHSE-5385	G	Green	Green	1	8	1.29	1.16	1.06	.99
523-RJHSE-5386	RJHSE-5386	G	Yellow	Yellow	1	8	1.34	1.22	1.12	1.03
523-RJHSE-538A	RJHSE-538A	G	Grn/Yel	Grn/Yel	1	8	2.33	2.11	1.93	1.78
523-RJHSE-538B	RJHSE-538B	G	Red/Grn	Red/Grn	1	8	2.24	2.04	1.87	1.72
<b>RJVISTA® Vertical Mount Shielded CAT 5E EMI Quiet w/ LED Option</b>										
523-RJHSE-3380	RJHSE-3380	H	---	---	1	8	2.56	1.42	1.30	1.20
523-RJHSE-3381	RJHSE-3381	H	Yellow	Green	1	8	2.02	1.84	1.68	1.55
523-RJHSE-3384	RJHSE-3384	H	Green	Yellow	1	8	2.02	1.84	1.68	1.55
523-RJHSE-3385	RJHSE-3385	H	Green	Green	1	8	2.02	1.84	1.68	1.55
523-RJHSE-338A	RJHSE-338A	H	Grn/Yel	Grn/Yel	1	8	3.06	2.78	2.55	2.35
<b>RJVISTA® Vertical Mount Non-shielded CAT 5E EMI Quiet w/ LED Option</b>										
523-RJHSE-3080	RJHSE-3080	H	---	---	1	8	1.24	1.13	1.03	.95
523-RJHSE-3081	RJHSE-3081	H	Yellow	Green	1	8	1.42	1.29	1.18	1.09
523-RJHSE-3085	RJHSE-3085	H	Green	Green	1	8	1.42	1.29	1.18	1.09
<b>RJVISTA® Vertical Mount Shielded CAT 5E EMI Quiet w/ LED Option</b>										
523-RJHSE-5381-02	RJHSE-5381-02	I	Yellow	Green	2	8	3.47	3.12	2.84	2.60
523-RJHSE-5381-03	RJHSE-5381-03	I	Yellow	Green	3	8	4.63	4.05	3.60	3.24
523-RJHSE-5381-04	RJHSE-5381-04	I	Yellow	Green	4	8	4.56	4.10	3.73	3.42
523-RJHSE-5384-02	RJHSE-5384-02	I	Green	Yellow	2	8	3.71	3.32	2.94	2.69
523-RJHSE-5384-04	RJHSE-5384-04	I	Green	Yellow	4	8	4.10	3.73	3.42	3.15
523-RJHSE-5384-08	RJHSE-5384-08	I	Green	Yellow	8	8	9.23	8.43	7.76	7.19
523-RJHSE-5385-02	RJHSE-5385-02	I	Green	Green	2	8	3.12	2.84	2.60	2.40
523-RJHSE-5386-02	RJHSE-5386-02	I	Yellow	Yellow	2	8	3.12	2.84	2.60	2.40
<b>RJVISTA® Shielded and Stacked CAT 5E EMI Quiet Multiple Ports w/ LED Option</b>										
523-RJHSE-5380-02	RJHSE-5380-02	J	---	---	2	8	2.16	1.96	1.80	1.66
523-RJSAE-5381-02	RJSAE-5381-02	J	Yellow	Green	2	8	4.94	4.49	4.12	3.80
523-RJSAE-5382-02	RJSAE-5382-02	J	---	Green	2	8	4.94	4.49	4.12	3.80
523-RJSAE-5384-02	RJSAE-5384-02	J	Green	Yellow	2	8	4.94	4.49	4.12	3.80
523-RJSAE-5385-02	RJSAE-5385-02	J	Green	Green	2	8	4.94	4.49	4.12	3.80
523-RJSAE-538A-02	RJSAE-538A-02	J	Grn/Yel	Grn/Yel	2	8	5.90	5.36	4.92	4.54
523-RJSAE-5380-04	RJSAE-5380-04	J	---	---	4	8	5.62	5.11	4.68	4.32
523-RJSAE-5381-04	RJSAE-5381-04	J	Yellow	Green	4	8	8.94	8.13	7.45	6.88
523-RJSAE-538A-04	RJSAE-538A-04	J	Grn/Yel	Grn/Yel	4	8	9.85	9.03	8.34	7.74
523-RJSAE-5380-08	RJSAE-5380-08	J	---	---	8	8	11.20	10.27	9.48	8.80
523-RJSAE-5381-08	RJSAE-5381-08	J	Yellow	Green	8	8	14.42	13.22	12.20	11.33
523-RJSAE-5385-08	RJSAE-5385-08	J	Green	Green	8	8	14.42	13.22	12.20	11.33
523-RJSAE-538A-08	RJSAE-538A-08	J	Grn/Yel	Grn/Yel	8	8	17.93	16.43	15.17	14.09

