

POMONA RF Connectors



RoHS Compliant This page of product is compliant.

SMA CONNECTORS AND ADAPTERS

SMA stands for SubMiniature version A connector. It is threaded and offers excellent electrical performance from DC to 18GHz with semi-rigid cable, DC to 12GHz on flexible cables. These connectors are compact and very durable.



RoHS Compliant

For quantities 100 and up, call for quote.

MOUSER STOCK NO.		Description	Price Each		
Mfr.	Mfr. Part No.		1	25	50
565-72943		SMA Plug Straight Crimp, RG58	3.99	3.80	3.60
565-72944		SMA Plug Straight Crimp RG141	4.31	4.09	3.89
565-72945		SMA Plug Straight Crimp, RG142,400	4.59	4.33	4.11
565-72946		SMA Plug Straight Crimp, RG174,188,316	3.82	3.63	3.47
565-72950		SMA Plug Straight Crimp Reverse Polarity	4.72	4.48	4.26
565-72952		SMA Jack Straight Crimp, RG141	4.51	4.29	4.07
565-72953		SMA Jack Straight Crimp, RG142,400	4.77	4.53	4.30
565-72954		SMA Jack Straight Crimp, RG174,188,316	4.51	4.29	4.07
565-72956		SMA Jack Bulkhead RG174,178,188,316	4.59	4.33	4.11
565-72958		SMA Plug R/A Crimp RG58	4.81	4.57	4.34
565-72959		SMA Plug R/A Crimp RG141,174,188,316	5.95	5.65	5.37
565-72960		SMA Plug R/A Crimp RG142,400	4.99	4.74	4.50
565-72961		SMA Jack Panel Receptacle (2 Hole)	3.37	3.21	3.05
565-72962		SMA Jack Panel Receptacle (4 Hole)	4.65	4.41	4.19
565-72963		SMA Jack Straight PCB Receptacle	2.77	2.63	2.50
565-72964		SMA Plug (M) / Plug (M)	5.83	5.54	5.26
565-72965		SMA R/A Plug to Jack	8.81	8.37	7.95
565-72966		SMA Jack (F) / Jack (F)	6.80	6.46	6.14
565-72967		SMA Jack (F), Jack (F) Reverse Polarity	11.80	11.21	10.65
565-72968		SMA T Type, Jack (F) / Jack (F) / Jack (F)	11.04	10.49	9.97
565-72969		SMA T Type, Jack (F) / Plug (M) / Jack (F)	10.74	10.21	9.70
565-72970		SMA Straight Jack PCB Receptacle Edge Mount	4.76	4.53	4.30
565-72971		SMA Jack R/A PCB Receptacle	3.88	3.68	3.50
565-72973		SMA Jack (F) to Jack (F), Panel	11.13	10.57	10.04
565-72974		SMA Jack to Reverse SMA Plug	6.82	6.48	6.16
565-72975		SMA Plug, 50Ω Termination	16.74	15.90	15.11
565-72976		SMA (M) to SMB (M)	6.72	6.38	6.06
565-72977		SMA (M) to SMB (F)	6.59	6.26	5.94
565-72978		SMA (F) to SMB (M)	8.84	8.39	7.97
565-72979		SMA (F) to SMB (F)	8.72	8.28	7.87

SMB CONNECTORS AND ADAPTERS

SMB similarly stands for SubMiniature version B connector. It is smaller than an SMA connector, but with the added advantage of snap-on coupling rather than threads. SMB connectors are great for fast connect and disconnect requirements. Along with this easy connection ability, the SMB offers a bandwidth of 4GHz.



RoHS Compliant

565-72980		SMB Straight Jack Crimp, RG178, 196	4.96	4.71	4.47
565-72981		SMB Straight Jack Crimp, RG174,188,316	5.05	4.79	4.55
565-72982		SMB Straight Jack Crimp, RG179,196	5.49	5.22	4.96
565-72983		SMB Plug Straight Crimp, RG178,196	4.91	4.67	4.43
565-72984		SMB Plug Straight Crimp, RG174,188,316	6.33	6.02	5.72
565-72985		SMB Plug Straight Crimp, RG179,187	6.33	6.02	5.72
565-72987		SMB Jack R/A Crimp, RG178,196	5.59	5.31	5.05
565-72988		SMB Jack R/A Crimp, RG174,188,316	5.62	5.34	5.08
565-72989		SMB Jack R/A Crimp, RG179,187	6.13	5.82	5.53
565-72991		SMB Plug R/A Crimp, RG178,196	5.54	5.26	5.00
565-72992		SMB Plug R/A Crimp, RG174,188,316	6.54	6.21	5.90
565-72993		SMB Plug R/A Crimp, RG179,187	6.54	6.21	5.90
565-72995		SMB Jack Straight PCB Receptacle	4.82	4.58	4.35
565-72996		SMB Plug Straight PCB Receptacle	6.30	5.99	5.69
565-72997		SMB Jack R/A PCB Receptacle	5.40	5.13	4.88
565-72998		SMB Plug R/A PCB Receptacle	3.36	3.19	3.03
565-72999		SMB Jack Panel Receptacle	5.18	4.92	4.67
565-73000		SMB Bulkhead Jack, RG174,188,316	4.48	4.26	4.05
565-73001		SMB Bulkhead Jack, RG179,187	4.48	4.26	4.05

MCX CONNECTORS AND ADAPTERS

MCX coaxial RF connectors are 30% smaller than SMB connectors, yet have the same size inner contacts and dimensions. They feature easy snap-on connection and support a bandwidth from DC to 6GHz. MCX connectors are used in applications requiring tight spacing and light weight.



RoHS Compliant

565-73002		MCX Plug Straight Crimp, RG174, 316	4.28	4.06	3.86
565-73003		MCX Plug Straight Crimp, RG178	3.86	3.67	3.49
565-73004		MCX Plug Straight Crimp, RG179	4.85	4.61	4.38
565-73005		MCX Plug R/A Crimp, RG174, 316	4.10	3.89	3.70
565-73006		MCX Plug R/A Crimp, RG178	4.29	4.08	3.87
565-73007		MCX Jack Straight PCB Receptacle	3.27	3.11	2.95
565-73008		MCX Jack R/A PCB Receptacle	4.03	3.82	3.63
565-73010		MCX Jack Straight Crimp, RG174,316	3.98	3.78	3.59
565-73011		MCX Jack Straight Crimp, RG178	4.03	3.82	3.63
565-73012		MCX Jack Straight Crimp, RG179	4.75	4.51	4.29
565-73014		MCX Plug Straight Semi-rigid, RG402	3.83	3.64	3.46
565-73015		MCX Plug Straight Semi-rigid, RG405	3.83	3.54	3.46
565-73016		MCX Plug R/A Semi-rigid, RG402	4.44	4.22	4.01
565-73017		MCX Plug R/A Semi-rigid, RG405	4.37	4.15	3.94
565-73018		MCX Jack Straight Surf MNT Receptacle	4.99	4.74	4.50

© Copyright 2009 Mouser Electronics

www.mouser.com/pomona


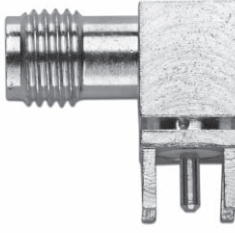



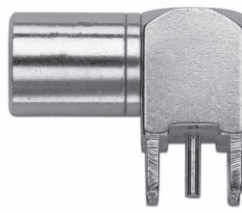

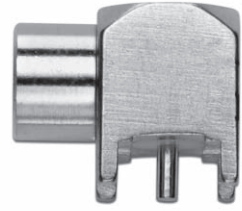


a hi company

Mouser Catalog Download

(800) 346-6873

1197

 <p>SMA Plug Straight Crimp, RG58 Part No. 565-72943</p>	 <p>SMA Jack R/A PCB Receptacle Part No. 565-72971</p>
 <p>SMA Plug Straight Crimp, RG141 Part No. 565-72944</p>	 <p>MMCX Jack R/A PCB Receptacle Part No. 565-73028</p>
 <p>SMA Plug Straight Crimp, RG142, 400 Part No. 565-72945</p>	 <p>SMB Jack R/A PCB Receptacle Part No. 565-72997</p>
 <p>SMA Plug Straight Crimp, RG174, 188, 316 Part No. 565-72946</p>	 <p>MCX Jack R/A PCB Receptacle Part No. 565-73008</p>

MMCX CONNECTORS AND ADAPTERS

MMCX coaxial RF connectors are even smaller than MCX connectors. They are microminiature connectors and offer a lock-snap connection with 360 degrees rotation. This capability offers the optimum in versatility for use on today's circuit boards. MMCX connectors have a bandwidth from dc to 6 GHz.



RoHS Compliant

For quantities 100 and up, call for quote.

MOUSER STOCK NO.		Description	Price Each		
Mfr.	Mfr. Part No.		1	25	50
565-73023		MMCX Plug Straight Crimp, RG174,316	6.39	6.07	5.77
565-73024		MMCX Plug Straight Crimp, RG178	5.45	5.17	4.92
565-73025		MMCX Plug R/A Crimp, RG174,316	5.91	5.61	5.33
565-73026		MMCX Plug R/A Crimp, RG178	5.83	5.54	5.26
565-73028		MMCX Jack R/A PCB Receptacle	5.62	5.34	5.08
565-73029		MMCX Jack Straight Crimp, RG174,316	4.81	4.57	4.34
565-73030		MMCX Jack Straight Crimp, RG178	5.65	5.37	5.10
565-73032		MMCX Plug R/A Semi-rigid, RG402	5.83	5.54	5.26
565-73033		MMCX Plug R/A Semi-rigid, RG405	5.83	5.54	5.26
565-73034		MMCX Plug Straight Semi-rigid, RG402	5.89	5.61	5.33
565-73035		MMCX Plug Straight Semi-rigid, RG405	5.45	5.17	4.92
565-73037		MMCX Jack Straight Semi-rigid, RG405	5.70	5.41	5.14
565-73038		MMCX Plug Straight Edgecard	8.04	7.63	7.25
565-73039		MMCX Jack Straight Edgecard	5.45	5.17	4.92

© Copyright 2009 Mouser Electronics