

BOMAR RF Connectors



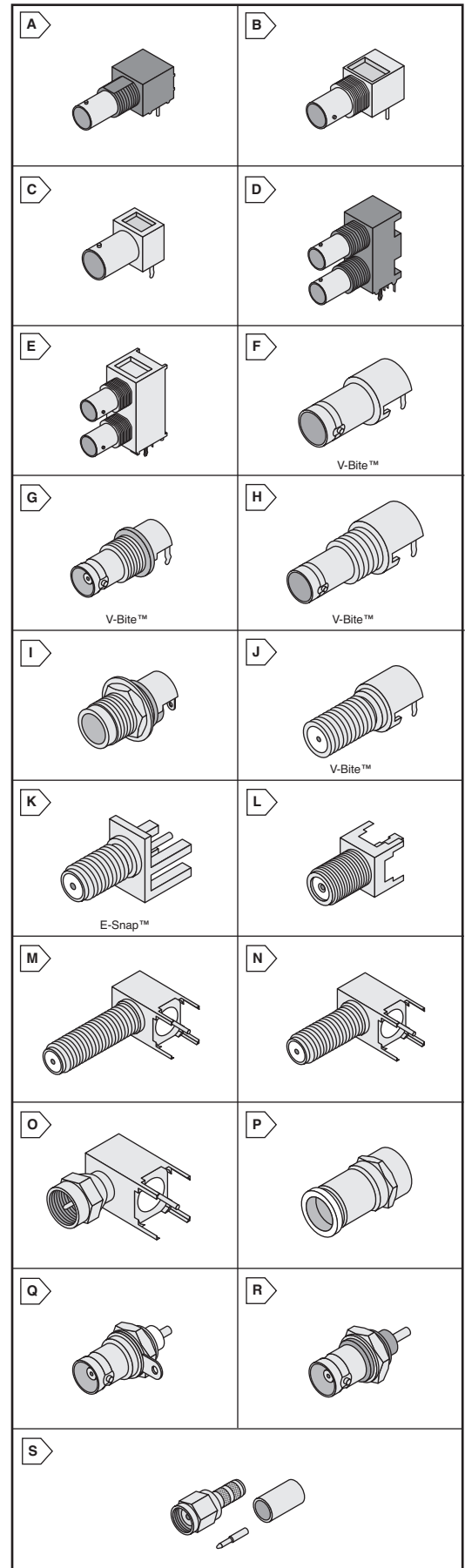
RoHS Compliant

BNC PRINTED CIRCUIT BOARD RIGHT ANGLE JACKS

- 50Ω versions have been approved by most U.S. manufacturers of LAN cards.
- 75Ω versions are in wide use in High Definition Video which require the use of a true 75Ω connector

For quantities of 500 and up, call for quote.

MOUSER STOCK NO.	Bomar Part No.	Fig.	Imp. Ω	Description	Body Material	Price Each			
						1	10	25	100
678-364A595	364A595	A	50	Standard profile with posts	White Valox	1.90	1.73	1.59	1.50
678-364A595B	364A595B	A	50	Standard profile with posts	Black Valox	1.90	1.73	1.59	1.50
678-364A795	364A795	A	75	Standard profile with posts	White Valox	1.90	1.73	1.59	1.50
678-364A795B	364A795B	A	75	Standard profile with posts	Black Valox	2.02	1.84	1.77	1.63
678-364A595BL	364A595BL	A	50	Low profile with posts	White Valox	1.90	1.73	1.59	1.50
678-364A595BLB	364A595BLB	A	50	Low profile with posts	White Valox	2.02	1.84	1.77	1.63
678-364A795BL	364A795BL	A	75	Low profile with posts	White Valox	2.18	1.98	1.91	1.76
678-364M595	364M595	B	50	Standard profile with posts	Nickel / Zinc	2.82	2.56	2.47	2.27
678-364M595L	364M595L	B	50	Low profile with posts	Nickel / Zinc	2.96	2.69	2.60	2.46
678-364M795	364M795	B	75	Standard profile with posts	Metal	2.82	2.56	2.47	2.27
678-364M595M	364M595M	C	50	Super low profile with clips	Nickel / Zinc	2.74	2.49	2.25	2.10
678-364A2595	364A2595	D	50	X-2 Dual stacked	White Valox	6.76	6.15	5.93	5.45
678-364A2795	364A2795	D	75	X-2 Dual stacked	White Valox	7.64	6.95	6.70	6.30
678-364A2795FS	364A2795FS	D	75	X-2 Dual full shield	White Valox	9.43	8.87	8.40	8.09
678-364M2595	364M2595	E	50	X-2M Dual stacked	Nickel / Zinc	9.12	8.29	7.94	7.35
678-364M2795	364M2795	E	75	X-2M Dual stacked	Nickel / Zinc	10.56	9.61	8.67	7.71
678-364M2795FS	364M2795FS	E	75	X-2M Dual full shield	Nickel / Zinc	11.98	10.89	10.51	9.66
678-364NT	364NT	--	--	Jam nut	Nickel	.64	.58	.56	.52
678-364KNT	364KNT	--	--	Knurled nut	Nickel	.72	.65	.63	.58
678-364LW	364LW	--	--	Lock washer	Nickel	.28	.26	.25	.24



PRINTED CIRCUIT BOARD EDGE MOUNT JACKS

- V-Bite™ features an award winning PCB lock-in design providing extreme anti-rotation.
- E-Snap™ snaps into 2 holes in PCB board and locks into place for reflow soldering.

For quantities of 500 and up, call for quote.

MOUSER STOCK NO.	Bomar Part No.	Fig.	Imp. Ω	Type	Description	Mounting Type	Price Each			
							1	10	25	100
678-361V509E	361V509E	F	50	BNC	Polyethylene Insul.	V-Bite™	3.20	2.91	2.81	2.70
678-361V504ER	361V504ER	F	50	BNC	Teflon insul.for reflow	V-Bite™	3.52	3.20	3.09	2.84
678-361V504EFT	361V504EFT	G	50	BNC	Teflon insul./flange	V-Bite™	4.18	3.80	3.56	3.37
678-361V504ET	361V504ET	H	50	BNC	Teflon insul.for reflow	V-Bite™	3.80	3.45	3.33	3.06
678-361V704ER	361V704ER	F	75	BNC	Teflon insul.for reflow	V-Bite™	3.76	3.42	3.30	3.03
678-361V704EFT	361V704EFT	G	75	BNC	Teflon insul./flange	V-Bite™	4.68	4.25	4.07	3.77
678-161V504EFT	161V504EFT	I	50	N	w/Flange TFE insul./re-flow	V-Bite™	14.52	13.20	12.65	11.71
678-861V509E	861V509E	J	50	N	RG59	V-Bite™	2.80	2.55	2.46	2.32
678-861V509ER	861V509ER	J	50	N	Teflon for reflow, RG59	V-Bite™	3.66	3.33	3.21	3.05
678-861V509ER6	861V509ER6	J	75	F	Teflon for reflow, RG6/59	V-Bite™	4.24	3.85	3.72	3.42
678-961E504	961E504	K	50	SMA	PTFE Insul.	E-Snap™	4.18	3.80	3.67	3.37

F SERIES PRINTED CIRCUIT BOARD AND CABLE CONNECTORS

- These F type connectors are widely used in CATV, MATV, and CCTV.

For quantities of 500 and up, call for quote.

MOUSER STOCK NO.	Bomar Part No.	Fig.	Description	Mount/Cable Type	Price Each			
					1	10	25	100
PCB Connectors-Non Constant Impedance								
678-861A509	861A509	L	Jack, straight	Vertical	1.40	1.27	1.23	1.13
678-864B509	864B509	M	Jack, long, .90" barrel	Right Angle	2.00	1.82	1.75	1.61
678-864B509S	864B509S	N	Jack, short, .70" barrel	Right Angle	1.68	1.53	1.47	1.35
678-866B509	866B509	O	Male, direct to tuner connection	Right Angle	2.70	2.45	2.37	2.18
678-864NT	864NT	--	Nut	---	.17	.16	.15	.14
678-864LW	864LW	--	Washer	---	.17	.16	.15	.14
Cable Connectors-Toolless								
678-810PE205A	810PE205A	P	Push-EZ™ gold plug w/LIFT® Technology	RG 6	2.24	2.04	1.84	1.71
678-810PE205G	810PE205G	P	Push-EZ™ gold plug w/LIFT® Technology	RG 59	3.02	2.75	2.20	2.13

BNC BULKHEAD JACKS

- These jacks are held into the panel by a hex-nut and lock washer.
- All units feature nickel plated, brass bodies, and gold phosphor-bronze contacts

For quantities of 500 and up, call for quote.

MOUSER STOCK NO.	Bomar Part No.	Fig.	Description	Price Each			
				1	10	25	100
678-326A515	326A515	Q	F/M Solder, Grounded	2.06	1.87	1.81	1.72
678-326R515	326R515	R	F/M Solder, Isolated, White Bushing	2.52	2.29	2.21	2.03
678-326R515RD	326R515RD	R	F/M Solder, Isolated, Red Bushing	3.58	3.25	3.14	2.99
678-326R515GN	326R515GN	R	F/M Solder, Isolated, Green Bushing	3.58	3.25	3.14	2.99
678-326R515BL	326R515BL	R	F/M Solder, Isolated, Blue Bushing	3.58	3.25	3.14	2.99

SMA CONNECTORS

For quantities of 500 and up, call for quote.

MOUSER STOCK NO.	Bomar Part No.	Fig.	Description	Mount/Cable Type	Price Each			
					1	10	25	100
678-910A204F	910A204F	S	Straight Crimp Plug, Gold Body	RG58/U, 141/U, 142/U	2.44	2.22	2.14	1.97
678-910A205F	910A205F	S	Straight Crimp Plug, Nickel Body	RG58/U, 141/U, 142/U	2.56	2.33	2.25	2.06
678-910A205M	910A205M	S	Straight Crimp Plug, Nickel Body	RG174/U, 188/U, 316/U	2.32	2.11	2.04	1.93