

SMB RF CONNECTORS

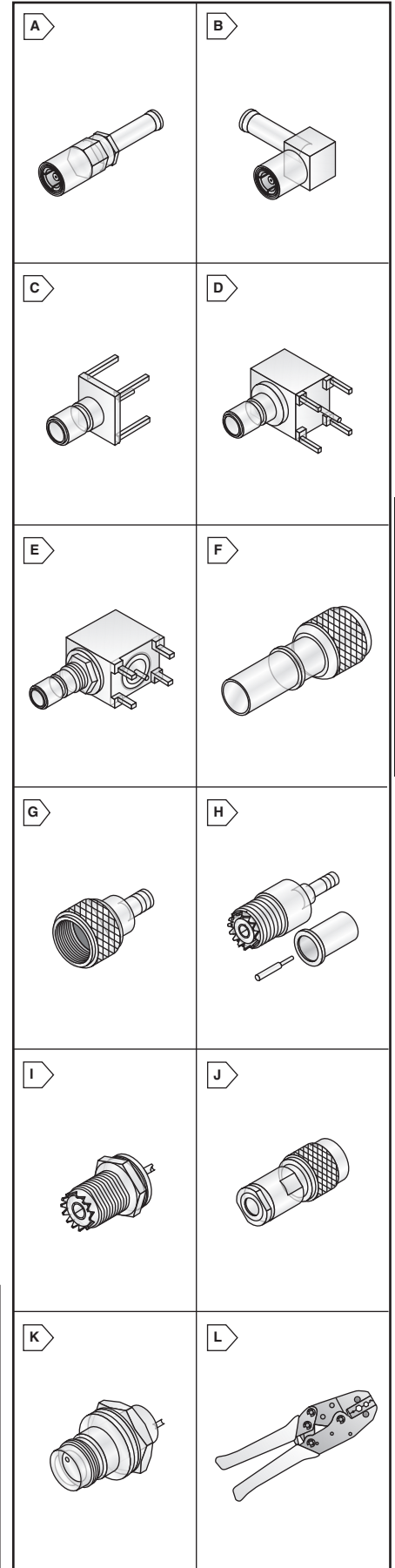
Offers quick connect/disconnect snap on mating, reducing installation time.

- Impedance: 50Ω
- Frequency Range: 0-4GHz
- Center Contacts: Gold Plated
- Insulators: TFE fluorocarbon
- Connector Durability: 500 matings
- Mating: Rapid Snap-on coupling, per MIL-STD-348
- Conforms with MIL-C-39012
- Interface is in compliance w/ MIL-STD-348

* Crimp Tool: CTL-13 ** Die Cast

For quantities of 500 and up, call for quote.

MOUSER STOCK NO.	Amphenol Part No.	Fig.	Cable Attachment Outer-Inner	Plating	Description/ Cable Type	Price Each			
						1	10	25	100
Straight Plugs									
523-903-370P-51S	903-370P-51S	A	Crimp-Solder*	Nickel	174, 179, 187, 188, 316, 7805	6.11	5.64	5.22	4.78
523-903285P51S	903285P51S	A	Crimp-Solder*	Gold	174, 179, 187, 188, 316, 7805	8.85	7.91	7.57	7.05
523-903371P51S	903371P51S	A	Crimp-Solder*	Nickel	178, 196, (.071" Outer Diameter)	9.21	8.41	7.75	7.18
Right Angle Plugs									
523-903-367P-51A	903-367P-51A	B	Crimp-Solder*	Nickel	174, 179, 187, 188, 316, 7805	10.92	9.98	9.19	8.51
523-903-367P-51A2	903-367P-51A2	B	Crimp-Solder*	Nickel**	174, 179, 187, 188, 316, 7805	3.95	3.60	3.33	3.11
523-903289P51A	903289P51A	B	Crimp-Solder*	Gold	174, 179, 187, 188, 316, 7805	10.42	9.52	8.76	8.12
523-903-289P-51A2	903-289P-51A2	B	Crimp-Solder*	Gold**	174, 179, 187, 188, 316, 7805	3.79	3.47	3.19	2.96
523-903-415J-51P	903-415J-51P	C	PCB Jack	Gold	Vertical, .155" Legs, .250" Sq. Base	5.45	4.88	4.55	4.20
523-903-499J-51P	903-499J-51P	C	PCB Jack	Gold	Vertical Bulkhead, .155" Legs	7.21	6.59	6.06	5.62
523-903-499J-51P2	903-499J-51P2	C	PCB Jack	Gold**	Vertical, .155" Legs, .250" Sq. Base	3.25	2.80	2.53	2.36
523-903-373J-51A	903-373J-51A	D	PCB Jack	Gold	Right Angle, .155" Legs, .312" Base	5.87	5.36	4.80	4.26
523-903-413J-51A	903-413J-51A	E	PCB Jack	Gold	Right Angle Bulkhead, .155" Legs	11.70	10.64	9.75	8.72



MINI-UHF CONNECTORS

Designed for use as a coaxial interconnection in cell phones, automotive systems, and similar applications where size, weight, and cost factors are critical.

- Impedance: 50Ω
- Frequency Range: 0-2.5GHz
- Temperature Range: -55° to 85°C (TFE Insulators)
- Voltage Rating: 335 Volts Peak
- Mating: 3/8-24 Threaded Coupling
- Teflon insulators

* Crimp Tool: CTL-5

For quantities of 500 and up, call for quote.

MOUSER STOCK NO.	Amphenol Part No.	Fig.	Cable Attachment Outer-Inner	Plating	Description/ Cable Type	Price Each			
						1	10	25	100
Plug									
523-81-114-RFX	81-114-RFX	F	Crimp-Crimp*	Nickel/Gold	RG58, 141, 303, LMR 195, Belden 9258	3.58	3.27	3.02	2.79
523-81-115N-1000	81-115N-1000	G	Crimp-Crimp*	Nickel/Gold	58, 58A, 58C, 141, 303, LMR 195, Belden 7806A	3.12	2.84	2.60	2.23
Receptacles									
523-81-116	81-116	H	Crimp-Crimp*	Nickel/Tin-Lead	58, 58A, 58C, 141, 303, LMR 195, Belden 7806A	10.22	9.34	8.62	7.97
523-81-120	81-120	I	Solder Cup	Nickel/Gold	Straight Rear Mount Bulkhead .125" Max Panel Thickness	2.71	2.48	2.29	2.11

TWIN-AXIAL WEATHER PROOF CONNECTORS (TWINAX)

Due to improved shielding characteristics, these connectors are used in balanced low level and high sensitivity circuits. Keyway polarization ensures system integrity and prevents signals from being mixed. 5000 V peak with Teflon insulators allows for high temperature applications.

- Frequency Range: 0-200 MHz
- Impedance: 78Ω and 95Ω Cables
- Body Plating: Nickel
- Weatherproof: When mated
- Large thread designed for rugged use
- Contact Plating: Gold

For quantities of 500 and up, call for quote.

MOUSER STOCK NO.	Amphenol Part No.	Fig.	Cable Attachment Outer-Inner	Description/ Cable Type	Price Each				
					1	10	25	100	
Plugs									
523-82-5589-RFX	82-5589-RFX	J	Clamp-Solder	Belden 9207, IBM 7362211, Times Types	5.98	5.47	4.80	4.54	
Receptacles									
523-82-5590-RFX	82-5590-RFX	K	Solder Cup	Bulkhead, Front Mount, .295" Panel	10.42	9.47	8.68	8.02	

CTL CRIMP TOOLS

For quantities of 5 and up, call for quote.

MOUSER STOCK NO.	Amphenol Part No.	Fig.	Connector Types	Cable Type	Price Each
523-CTL-1	CTL-1	L	BNC, TNC 3-Piece	55, 58, 59, 62, 140, 141, 142, 210, 223, 303, 400, Belden 9258, 9259, 9907, 8990, Plenum 59 and 62	65.77
523-CTL-2	CTL-2	L	BNC, TNC 3-Piece	6, Plenum 58, 174, 179, 187, 188, 316, Belden 8281	65.77
523-CTL3	CTL3	L	N 3-Piece	8, 11, 55, 58, 141, 142, 149, 213, 214, 223, 225, 303, 393, 400, Ethernet Cables	65.77
523-CTL4	CTL4	L	Twinax Center Contacts	Belden 8227, 9207, 89207, IBM 7362211 Twinax Cable	74.29
523-CTL5	CTL5	L	BNC, TNC, Mini-UHF, N	55, 58, 59, 62, 140, 141, 142, 210, 223, 303, 400, Belden 9258, 9259, 9907, 89907, Plenum 59 and 62	65.77
523-CTL-6	CTL-6	L	BNC, TNC 3-Piece	59, 62, 174, Plenum 59, Plenum 62	100.23
523-CTL-8	CTL-8	L	BNC, TNC 3-Piece	6, 59, 62, Plenum 59, Plenum 62	290.50
523-CTL-9	CTL-9	L	SMA	174, 188, 180, 360	125.79
523-CTL-11	CTL-11	L	Type N 3-Piece	Belden 9913, 9914, LMR 400, 7810A	214.26
523-CTL13	CTL13	L	MMCX, SMA, SMB	174, 178, 188, 196, 316, RD-316	160.27
523-CTL-15	CTL-15	L	MMCX, 75 ohm	Belden 735A, 821B	280.42