



This product is RoHS compliant.

## AMPHENOL QMA CONNECTORS

QMA is a quick disconnect version of the SMA connector. Instead of using a threaded coupling mechanism, a snap-lock mechanism is used.

### Features:

- Operates at the same electrical performance as SMA
- Snap-on interface for quick and easy installation (can be installed 10x faster than SMA)
- Snap-Lock mechanism removes requirement for wrench clearance, allowing for denser packaging
- Rotatable 360° after connection

### Specifications:

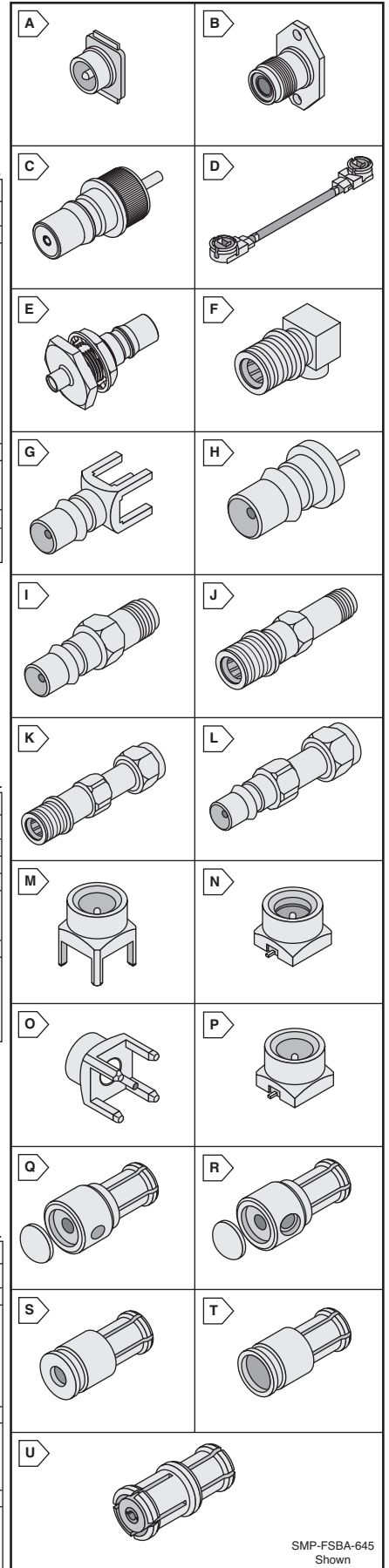
- Impedance: 50Ω
- Frequency Range: 0-6GHz
- VSWR: 1.05 max DC to 3 GHz, 1.12 max 3 to 6GHz
- Temperature Range: -40°C to +80°C
- Body Material: White Bronze over Brass
- Durability: 100 cycles
- Power Handling: 125W at 40°C

### Applications:

- Base Stations
- Instrumentation
- Process Controls
- Cable Assemblies
- Mill/Aero
- Telecom
- Components
- PC/LAN

For quantities of 500 and up, call for quote.

MOUSER STOCK NO.	Amphenol Part No.	Fig.	Description / Cable	Crimp Tool	Price Each			
					1	10	25	100
<b>Plugs</b>								
523-930-119P-51S	930-119P-51S	A	Straight Solder, .085, .087 Semi-Rigid	-	9.47	8.71	8.06	7.62
523-930-108P-51S	930-108P-51S	A	Straight Solder, .141 Semi-Rigid	-	10.33	9.44	8.71	8.06
523-930-120P-51S	930-120P-51S	A	Straight Crimp, 89907, B7806A, RG11, RG58, RG58C	CTL-1	10.51	9.60	8.87	8.20
523-930-129P-51S	930-129P-51S	A	Straight Crimp, RG174, RG188A	CTL-9	10.51	9.60	8.87	8.20
523-930-115P-51S	930-115P-51S	A	Straight Crimp, M17152, RG316U, Double Braided 2x RG188	CTL-13	9.26	8.47	7.79	7.22
523-930-104P-51A	930-104P-51A	B	Right Angle Solder, .085, .087 Semi-Rigid	-	10.43	9.63	8.91	8.38
523-930-103P-51A	930-103P-51A	B	Right Angle Solder, .141 Semi-Rigid	-	11.42	10.43	9.63	8.91
523-930-110P-51A	930-110P-51A	B	Right Angle Crimp, 89907, B7806A, RG11, RG58, RG58C	CTL-1	12.06	11.02	10.14	9.40
523-930-114P-51A	930-114P-51A	B	Right Angle Crimp, RG-316 Double Shielded	CTL-13	28.65	26.45	24.56	22.05
<b>PCB Jacks</b>								
523-930-121J-51S	930-121J-51S	D	.085, .087 Semi-Rigid, Bulkhead	-	8.60	7.83	7.36	6.90
523-930-128J-51P	930-128J-51P	E	Right Angle	-	11.50	8.92	8.29	8.08
523-930-107J-51P	930-107J-51P	F	Vertical Surface Mount Thru-Hole	-	7.88	7.29	6.53	6.08
<b>Adapters-Between Series</b>								
523-930-101A-51S	930-101A-51S	G	QMA Plug to SMA Jack	-	48.64	44.45	40.92	37.91
523-930-131A-51S	930-131A-51S	H	QMA Jack to SMA Plug	-	55.30	50.27	46.08	42.54



## AMPHENOL AMC CONNECTORS AND CABLE ASSEMBLIES

### Features:

- Easy snap-on / snap-off mating
- Ultra low-profile (2.5mm mating height)
- Small footprint (3mm x 3mm)

### Specifications:

- Impedance: 50Ω
- Frequency Range: 0-6 GHz
- VSWR: 1.3 max DC to 3 GHz, 1.4 max 3 to 6 GHz
- Temperature Range: -40°C to +90°C
- Durability: 30 cycles
- Mating Female contact holding force: 0.15 N min
- Body Material: Silver over Phosphor Bronze

### Applications:

- WLAN
- Bluetooth
- PDA
- Notebook computers
- GPS
- Portable Devices
- Remote Measuring Equipment

For quantities of 500 and up, call for quote.

MOUSER STOCK NO.	Amphenol Part No.	Fig.	Description	Price Each			
				1	10	25	100
<b>Receptacle</b>							
523-A-1JB	A-1JB	I	AMC PCB Jack, Surface Mount	.60	.55	.50	.46
<b>Adapters</b>							
523-31-6101	31-6101	J	AMC Plug to TNC-RP Jack, 2 Hole Flange	9.38	8.44	7.67	7.03
523-31-6112	31-6112	K	AMC Plug to TNC-RP Jack, Bulkhead Front Mount	11.47	10.48	9.65	8.94
523-901-10097	901-10097	L	AMC Plug to SMA-RP Jack, Bulkhead Rear Mount	5.43	5.38	4.95	4.59
<b>Cable Assemblies</b>							
523-A-1PA-113-100G2	A-1PA-113-100G2	M	100mm, Right Angle Plug Jumper, Gray Cable	2.34	2.13	1.95	1.80
523-A-1PA-113-125W2	A-1PA-113-125W2	M	125mm, Right Angle Plug Jumper, White Cable	3.09	2.78	2.53	2.32
523-A-1PA-113-150B2	A-1PA-113-150B2	M	150mm, Right Angle Plug Jumper, Black Cable	2.85	2.78	2.50	1.99
523-A-1PA-113-300B2	A-1PA-113-300B2	M	300mm, Right Angle Plug Jumper, Black Cable	3.24	2.92	2.60	2.09
523-A-1PA-113-330B2	A-1-1PA-330B2	M	330mm, Right Angle Plug Jumper, Black Cable	3.48	3.16	2.90	2.67

## AMPHENOL SMP CONNECTORS

The SMP interface is a subminiature interface in the same scale as MMCX connectors but offers a frequency range of DC to 40GHz.

### Features:

- RF performance DC to 40GHz
- Designed to accommodate both radial and axial misalignment
- Push-on and Snap-on mating styles for quick installation

### Specifications:

- Impedance: 50Ω
- VSWR: 1.50 max 0-20GHz
- Temperature Range -65°C to +155°C
- Contacts: Gold-plated brass, Gold plated beryllium copper
- Mating Cycles: 100 with full detent, 500 with limited detent
- Body Material: Gold plated brass, Gold Plated beryllium copper

### Applications:

- Aerospace
- Flouters
- Broadband
- Telecom
- Board to Board Interconnect
- Instrumentation
- Phased array antennas

For quantities of 500 and up, call for quote.

MOUSER STOCK NO.	Amphenol Part No.	Fig.	Description / Cable	Termination	Price Each			
					1	10	25	100
<b>Plugs</b>								
523-SMP-MSLD-PCT	SMP-MSLD-PCT	N	Vert PCB Plug, Thru-Hole, Limited Detent	PCB Mount	10.96	10.02	8.64	8.17
523-SMP-MSLD-PCS	SMP-MSLD-PCS	O	Vert PCB Plug, SMT, Limited Detent	PCB Mount	8.52	8.45	7.60	6.94
523-SMP-MSLD-PCR	SMP-MSLD-PCR	K	Vert PCB Plug, Rear Mount, Limited Detent	PCB Mount	9.93	8.94	8.13	7.45
523-SMP-MSSB-PCT	SMP-MSSB-PCT	P	Vert PCB Plug, Thru-Hole, Smooth Bore	PCB Mount	11.62	10.56	8.64	8.17
523-SMP-MSSB-PCS	SMP-MSSB-PCS	Q	Vert PCB Plug, SMT, Smooth Bore	PCB Mount	9.21	8.35	7.68	7.12
523-SMP-MSSB-PCR	SMP-MSSB-PCR	Q	Vert PCB Plug, Rear Mount, Smooth Bore	PCB Mount	12.91	11.62	10.56	9.68
<b>Jacks</b>								
523-SMP-FR-C06	SMP-FR-C06	R	R/A Cable Jack to .047 Semi-Rigid	Solder / Solder	15.92	12.25	11.37	10.61
523-SMP-FR-C07	SMP-FR-C07	S	R/A Cable Jack to RG 405, .086 Semi-Rigid	Solder / Solder	10.84	10.58	9.44	8.82
523-SMP-FS-C06	SMP-FS-C06	T	ST Cable Jack to .047 Semi-Rigid	Solder / Solder	11.56	10.60	9.44	8.45
523-SMP-FS-C07	SMP-FS-C07	U	ST Cable Jack to RG 405, .086 Semi-Rigid	Solder / Solder	15.02	12.59	11.70	9.96
<b>Adapters</b>								
523-SMP-FSBA-645	SMP-FSBA-645	V	ST SMP Jack to SMP Jack, 6.45mm	---	14.13	12.91	11.87	10.26
523-SMP-FSBA-990	SMP-FSBA-990	V	ST SMP Jack to SMP Jack, 9.9mm	---	13.31	11.87	8.90	8.40
523-SMP-FSBA-145	SMP-FSBA-145	V	ST SMP Jack to SMP Jack, 14.5mm	---	10.58	9.77	9.07	8.44
523-SMP-FSBA-224	SMP-FSBA-224	V	ST SMP Jack to SMP Jack, 22.4mm	---	14.11	13.70	11.77	10.04

SMP-FSBA-645 Shown