

AMPHENOL RF Connectors

Amphenol®

RoHS Compliant This product is RoHS compliant.

BNC COAXIAL CONNECTORS

Features:

- Bayonet coupling mechanism provides quick mating and unmating
- 50Ω and 75Ω impedance designs allow customers to match impedance to system requirements
- 50Ω and 75Ω connectors are intermateable to ensure non-destructive mating

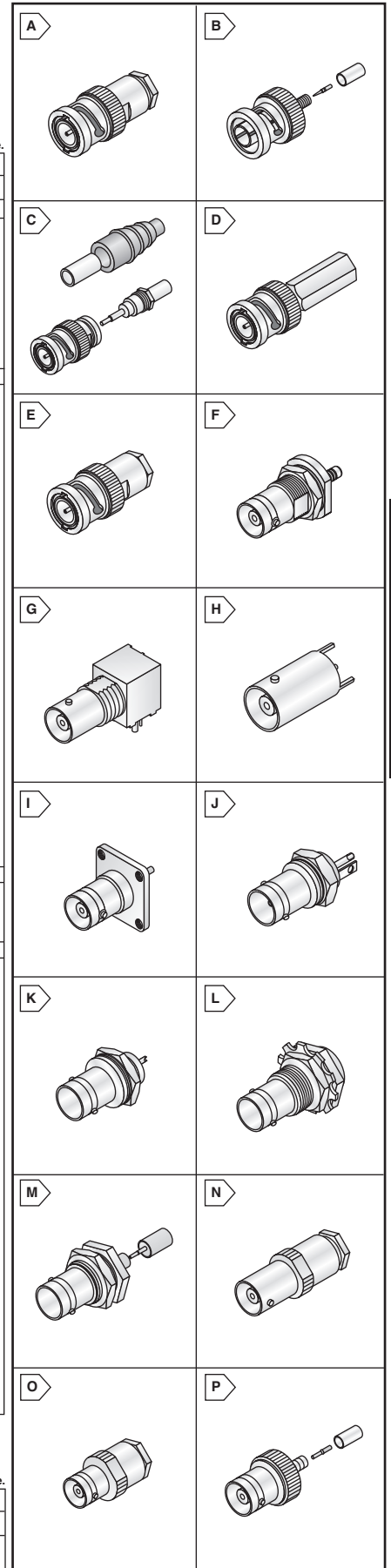
Specifications:

- Frequency Range: 0-4GHz
- Insulators: TFE
- Temperature Range: -65° to 165°C (TFE Insulators)
- Crimps: Hex Braid

† Hardware sold separately

For quantities of 500 and up, call for quote.

MOUSER STOCK NO.		Fig.	Imp.	MIL Type	Cable/ Description	Crimp Tool No.	Price Each			
Mfr.	Mfr. Part No.						1	10	25	100
Plugs - Cable Clamp										
523-31-2		A	50	UG-88/U	58, 141, 303, LMR 195, Belden 7806A	----	4.85	4.40	3.74	3.47
523-31-12		A	50	UG-260	59, 62, 61, 140, 210, 302,	----	9.65	8.79	7.45	6.91
523-31-202		A	50	UG-88C	55, 58, 141, 142, 223, 400	----	3.88	3.53	2.90	2.77
523-31-212		A	50	UG-260B	59, 62, 140, 210, 8241, 8263, 8279	----	4.72	4.02	3.71	3.44
523-31-212-1005		A	50	-----	59, 59 20 AWG	----	5.48	5.01	4.60	4.06
523-6775		A	50	UG-959/U	8, 9, 11, 213, 214	----	22.25	17.34	16.15	15.31
523-31-3202		A	50	UG88E/U	55, 58, 141, 142, 223, 400	----	13.43	12.33	11.06	10.30
523-31-3301		A	50	M39012/16-0101	58, 141, 142, 400	----	7.92	7.24	6.67	6.18
523-15875		A	50	-----	178, 196, .071" Outer Diameter	----	7.35	6.63	6.00	5.11
523-69475		A	50	-----	174, 188, 316, Belden 7805	----	7.36	6.62	5.52	5.09
Plugs - 3-Piece Crimp										
523-31-242		B	50	-----	179, 187, Belden 9221	CTL-2	7.04	5.87	5.42	5.03
523-31-315		B	50	-----	174, 188, 316, Belden 7805	CTL-2	4.38	3.98	3.37	3.13
523-31-315-1005		B	50	-----	Double Braid, RG-316U, 188, M17/152	CTL-2	5.79	5.29	4.87	4.51
523-31-320		B	50	M23329/3-01, 3-03	58, 141, 303, LMR 195, Belden 7806A	CTL-1	4.38	3.98	3.37	3.13
523-31-325		B	50	-----	122, 180, 195, Belden 1865A, 8218	CTL-2	6.64	6.07	5.59	5.18
523-31-320-1006		B	50	-----	Plenum 58, RG 122, Belden 88240, 82907	CTL-1	4.86	4.42	4.05	3.74
523-31-321		B	50	M23329/3-05	59, 62, 140, 210, 8241, 8263, 8279	CTL-1	4.48	4.07	3.73	3.45
523-31-321-1000		B	50	-----	Belden 8281, 88281	CTL-1	6.04	5.49	5.03	4.65
523-31-326		B	50	M23329/3-02, 3-04	55, 142, 223, 400	CTL-1	5.36	4.90	4.51	4.18
523-31-5800		B	50	-----	58, 122, 141, 303, LMR 195, 7806A, 88240, 89907	CTL-1	2.20	2.00	1.75	1.60
523-31-5900		B	50	-----	59, 59 20 AWG, Belden 82108	CTL-1	2.20	2.00	1.70	1.60
523-31-4320		B	50	M39012/16-0013	58, 141, 303, LMR 195, Belden 7806A	CTL-1	5.53	5.05	4.65	4.31
523-31-4321		B	50	M39012/16-0015	59, 62, 140, 210, Belden 8241, 8263, 8279, 9209	CTL-1	6.02	5.50	5.06	4.69
523-31-70000		B	75	-----	6, .295 Outer Diameter, Belden 1694A, 9248	CTL-8	5.72	5.22	4.81	4.46
523-31-70008		B	75	-----	59, 62, 140, 210, Belden 8241, 8263, 8279, 9209	CTL-6	6.57	6.00	5.52	5.12
523-31-70013		B	75	-----	179, 187, Belden 9221	CTL-6	9.13	8.34	7.12	6.63
523-31-71008		B	75	-----	59, 62, 140, 210, 8241, 8263, 8279	CTL-1	3.57	3.26	3.00	2.78
523-31-71008-2000		B	75	-----	Plenum 59, Belden 88241, 82259, 89259	CTL-1	5.11	4.60	4.18	3.54
523-31-71013		B	75	-----	RG 179, 187, Belden 9221	CTL-2	4.28	3.89	3.29	3.06
523-31-71032		B	75	-----	Belden 8281	CTL-2	3.62	3.29	3.02	2.78
523-31-71033		B	75	-----	Belden 8218, 88281	CTL-2	3.20	2.91	2.46	2.29
523-31-5558-RFX		B	50	-----	6	CTL-2	2.43	2.22	2.05	1.90
523-36775		B	50	-----	58, 141	CTL-1	4.88	4.44	4.07	3.75
523-36875		B	50	-----	55, 142, 223, 400	CTL-1	5.13	4.69	4.32	4.00
523-68175-1003		B	50	-----	Belden 9259	CTL-1	4.97	4.20	3.62	3.36
523-68175-1005		B	50	-----	59, 62, 140, 210, 8241, 8263, 8279	CTL-1	5.16	4.61	3.94	3.66
523-31-571		C	50	-----	174, 188, 316, Belden 7805	----	11.98	10.88	9.75	9.01
Plugs - SURTWIN® QUICKTRIM®, and FCP										
523-31-5137		D	50	-----	89907, B7806A, RG-141, RG-58, RG-58C	----	7.00	6.40	5.30	5.08
523-31-4541		E	50	-----	59, 62, 140, 210, Belden 8241, 8263, 8279, 9209	----	10.51	9.79	9.29	8.93
523-31-4542		E	50	-----	Belden 9268, IBM 1836447	----	8.56	7.78	7.13	6.40
Jacks										
523-31-342		F	50	M23329/3-15, 3-17	58, 141, 303, LMR 195, 7806A	CTL-1	10.90	9.95	7.93	7.52
523-31-5431		G	50	-----	Standard Height, White Valox, Round Pins	----	4.98	4.48	3.70	3.45
523-31-5431-1010		G	50	-----	Standard Height, White Valox, Fork Pins	----	4.24	3.87	3.57	3.30
523-31-5486		G	50	-----	Low Profile, White Valox, Round Pins	----	4.66	4.24	3.88	3.58
523-31-5486-1010		G	50	-----	Low Profile, White Valox, Fork Pins	----	5.18	4.66	4.24	3.88
523-31-5493		G	50	-----	Valox Housing, Noryl Insulator, Round Pins	----	4.56	4.14	3.78	3.48
523-31-5538		G	50	-----	Standard Height, Black Valox, Round Pins	----	4.89	4.47	4.11	3.81
523-31-5540		G	50	-----	Low Profile, Black Valox, Round Pins	----	4.49	4.10	3.78	3.50
523-31-5640		G	50	-----	Standard Height, Metal, Round Pins	----	4.40	4.02	3.70	3.43
523-31-5640-1010		G	50	-----	Standard Height, Metal, Fork Pins	----	4.66	4.24	3.88	3.58
523-31-71047-1010		G	75	-----	Standard Height, White Valox, Fork Pins	----	4.66	4.24	3.88	3.58
523-31-5329		H	50	-----	Vertical PCB, 3 Legs, Blunt Post	----	6.04	5.44	4.89	4.18
523-31-203		I	50	UG-290A/U	4 Hole Square Flange Mount	----	6.80	6.12	5.57	4.39
523-31-10		J	50	-----	Isolated Bulkhead, Solder Cup & Ground Tab	----	3.51	2.65	2.29	2.18
523-31-10-75		J	75	-----	Isolated Bulkhead, Solder Cup & Ground Tab	----	6.67	6.00	4.93	4.29
523-31-238		K	50	UG-912/U	Front Mnt., Hermetic, Tooth Washer	----	23.19	21.45	17.56	16.11
523-31-4237		K	50	M39012/24-0001	Rear Mnt., Hermetic, Tooth Washer	----	9.60	8.78	8.08	7.15
523-31-102		K	50	UG-657/U	Bulkhead, Solder Cup	----	5.64	5.13	4.63	4.32
523-31-206		L	50	UG-909/U	55, 142, 223, 400/Bulkhead Cable Clamp	----	7.18	6.53	5.14	4.80
523-86350		L	50	-----	174, 188, 316, 7805/Bulkhead Cable Clamp	----	13.08	11.95	11.00	10.19
523-31-318		M	50	-----	174, 188, 316, Belden 7805/Bulkhead Crimp	CTL-2	10.52	9.56	8.77	8.09
523-31-221		K	50	UG-1094/U	Front Mount, Bulkhead, Solder Cup	----	2.00	1.80	1.47	1.33
523-31-2221		K	50	UG-1094A/U	Front Mount, Bulkhead, Solder Cup	----	2.78	2.36	1.98	1.84
523-31-236		K	50	UG-625B/U	Front Mount, Bulkhead, Solder Cup	----	2.58	2.17	1.98	1.83
523-31-239		K	50	UG-657A/U	Front Mount, Bulkhead, Solder Cup	----	7.66	7.00	6.44	5.97
523-31-5		N	50	UG-89	58, 141, 303, LMR 195, Belden 7806A	----	5.43	4.97	4.57	4.05
523-31-15		O	50	UG-261/U	59, 62, 140, 210, 8241, 8263, 8279	----	11.39	10.55	9.45	8.80
523-31-317		P	50	-----	174, 188, 316, Belden 7805	CTL-2	10.64	9.72	8.95	8.21
523-31-5652		--	--	-----	Hex Nut for PCB Bulkhead Jacks	----	.74	.67	.62	.57
523-31-5653		--	--	-----	Lockwasher for PCB Bulkhead Jacks	----	.73	.66	.60	.55



RF Connectors Amphenol

ACCESSORIES

For quantities of 5000 and up, call for quote.

MOUSER STOCK NO.		Description	Price Each					
Mfr.	Mfr. Part No.		1	10	25	100	500	1000
523-31-5652		Hex Nut for PCB Bulkhead Jacks	.74	.67	.62	.57	.50	.48
523-31-5653		Lockwasher for PCB Bulkhead Jacks	.73	.66	.60	.55	.51	.47