

AMPHENOL REVERSE POLARITY RF Connectors



REVERSE POLARITY SMA CONNECTORS

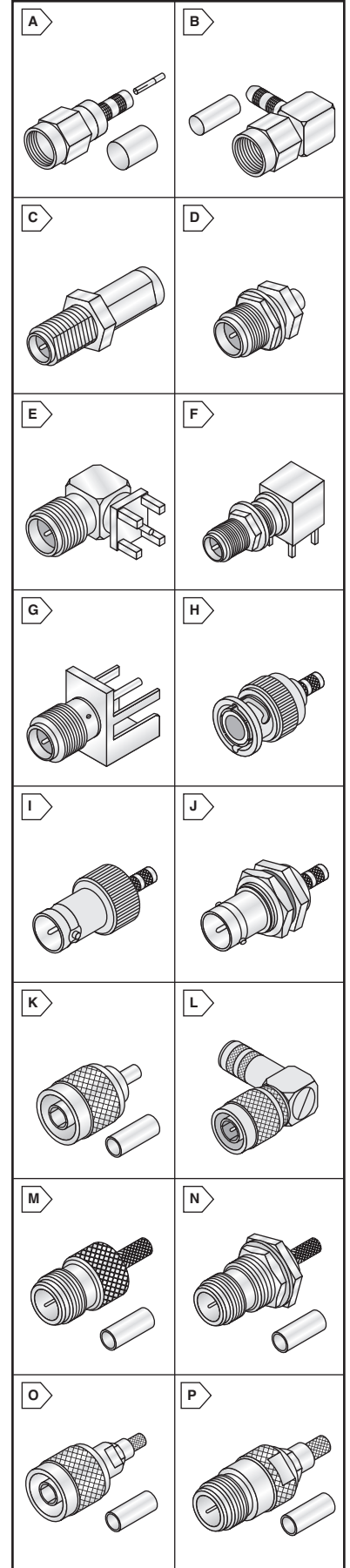
This product is RoHS compliant.

Reverse Polarity connectors employ female contacts in the plug connector and male contacts in the jack connector. SMA-RP will not mate with standard SMA Connectors.

- Impedance: 50Ω
- Frequency Range: 0-6GHz
- Body Material: Brass
- Finish: Gold

For quantities of 500 and up, call for quote.

MOUSER STOCK NO.	Amphenol Part No.	Fig.	Description	Cable	Crimp Tool	Price Each			
						1	10	25	100
523-132114RP	132114RP	A	Straight Crimp Plug	LMR100 / RG316, 174	47-10070	4.40	4.23	4.04	3.75
523-132113RP	132113RP	A	Straight Crimp Plug	LMR195 / RG58	47-10150	3.92	3.48	3.12	2.88
523-132195RP	132195RP	A	Straight Crimp Plug	RG223, 142	47-10070	3.83	3.50	3.19	2.90
523-132231RP	132231RP	A	Straight Crimp Plug	LMR 240 / RG8X	47-10070	7.37	6.60	5.92	5.45
523-132298RP	132298RP	A	Straight Crimp Plug	LMR 400/Belden 9913, 9914	47-10210	9.18	8.39	6.83	6.20
523-132122RP	132122RP	B	Right Angle Crimp Plug	LMR 195 / RG58	47-10070	5.06	4.65	4.30	4.00
523-132123RP	132123RP	B	Right Angle Crimp Plug	LMR100 / RG316, 174	47-10150	5.00	4.55	4.17	3.85
523-132116RP	132116RP	C	Straight Crimp Jack	LMR 195 / RG58	47-10070	3.22	2.98	2.76	2.56
523-132240RP	132240RP	C	Straight Crimp Jack	8X/LMR 240 / B7808A	47-10070	5.12	4.67	4.26	3.87
523-132117RP	132117RP	C	Straight Crimp Jack	LMR100 / RG316, 174	47-10150	3.82	3.44	3.16	2.92
523-132240RP	132240RP	C	Straight Crimp Jack	RG, 8X, LMR240/B7808A	47-10070	5.12	4.67	4.26	3.87
523-132603RP	112603RP	C	Straight Crimp Jack	LMR400/Belden 8214,9913,9914	47-10210	4.61	4.21	3.70	3.43
523-132118RP	132118RP	D	Bulkhead Crimp Jack	LMR 195 / RG58	47-10070	4.09	3.74	3.45	3.21
523-132119RP	132119RP	D	Bulkhead Crimp Jack	LMR100 / RG316, 174	47-10150	3.58	3.37	3.15	2.82
523-132220RP	132220RP	D	Bulkhead Crimp Jack	RG178, 196	47-10150	5.39	4.91	4.48	4.07
523-132136RP	132136RP	E	Right Angle Jack for PCB	---	---	5.23	4.79	4.36	3.92
523-132203RP	132203RP	F	Right Angle Bulkhead PCB Jack	---	---	7.37	6.60	6.02	5.62
523-132255RP	132255RP	G	Edge Mount PCB Jack, .062 Bds	---	---	4.81	4.32	3.99	3.71



REVERSE POLARITY BNC CONNECTORS

Reverse Polarity connectors employ female contacts in the plug connector and male contacts in the jack connector. BNC-RP will not mate with standard BNC Connectors.

- Impedance: 50Ω
- Frequency range: 0-4GHz
- Body Material: Brass
- Body Plating: Nickel
- Contact Plating: Gold

For quantities of 500 and up, call for quote.

MOUSER STOCK NO.	Amphenol Part No.	Fig.	Description	Cable	Crimp Tool	Price Each			
						1	10	25	100
523-112132RP	112132RP	H	Straight Crimp Plug	LMR 100 / RG 316	47-10150	2.67	2.41	2.21	2.04
523-112116RP	112116RP	H	Straight Crimp Plug	LMR 195 / RG 58, 141	47-10070	2.56	2.26	2.08	1.89
523-112514RP	112514RP	H	Straight Crimp Plug	RG 223, 142, 400	47-10070	3.11	2.84	2.50	2.30
523-112533RP	112533RP	H	Straight Crimp Plug	LMR 240 / RG8X	47-10070	3.18	2.91	2.68	2.45
523-112563RP	112563RP	H	Straight Crimp Plug	LMR 400 / B9913	47-10210	6.06	5.46	4.96	4.55
523-112144RP	112144RP	I	Straight Crimp Jack	LMR 195 / RG 58, 141	47-10070	2.59	2.37	2.18	1.99
523-112234RP	112234RP	J	Bulkhead Crimp Jack	LMR100 / RG 316	47-10150	4.22	3.86	3.55	3.25
523-112202RP	112202RP	J	Bulkhead Crimp Jack	LMR 195 / RG 58, 141	47-10070	3.72	3.40	3.13	2.86

REVERSE POLARITY TNC CONNECTORS

Reverse Polarity connectors employ female contacts in the plug connector and male contacts in the jack connector. TNC-RP will not mate with standard TNC Connectors.

- Impedance: 50Ω
- Frequency range: 0-4GHz
- Body Material: Brass
- Body Plating: Nickel
- Contact Plating: Gold

For quantities of 500 and up, call for quote.

MOUSER STOCK NO.	Amphenol Part No.	Fig.	Description	Cable	Crimp Tool	Price Each			
						1	10	25	100
523-122116RP	122116RP	K	Straight Crimp Plug	LMR 100 / RG 316	47-10150	2.40	2.15	1.96	1.83
523-122108RP	122108RP	K	Straight Crimp Plug	LMR 195 / RG 58	47-10070	2.04	1.81	1.63	1.50
523-122372RP	122372RP	K	Straight Crimp Plug	RG 223, 142, 400	47-10070	3.98	3.64	3.34	2.94
523-122394RP	122394RP	K	Straight Crimp Plug	RG 8 / 213	47-10090	5.32	4.86	4.30	3.99
523-122408RP	122408RP	K	Straight Crimp Plug	LMR 240 / RG8X	47-10070	3.43	3.09	2.84	2.62
523-122393RP	122393RP	K	Straight Crimp Plug	LMR 400 / B9913	47-10210	5.80	5.23	4.79	4.43
523-122140RP	122140RP	L	Right Angle Crimp Plug	RG 58,58C	----	4.59	4.20	3.85	3.10
523-122138RP	122138RP	M	Straight Crimp Jack	LMR 100 / RG 316	47-10150	2.79	2.64	2.51	2.15
523-122122RP	122122RP	M	Straight Crimp Jack	LMR 195 / RG 58	47-10070	2.58	2.31	2.07	1.91
523-122409RP	122409RP	M	Straight Crimp Jack	LMR 240 / RG8X	47-10070	2.62	2.17	2.00	1.81
523-122392RP	122392RP	M	Straight Crimp Jack	LMR 400 / B9913	47-10210	5.25	4.79	4.21	3.90
523-122192RP	122192RP	N	Bulkhead Crimp Jack	LMR 100 / RG 316	47-10150	4.48	4.05	3.70	3.36
523-122160RP	122160RP	N	Bulkhead Crimp Jack	LMR 195 / RG 58, 141	47-10070	4.17	3.76	3.45	3.18
523-122370RP	122370RP	N	Bulkhead Crimp Jack	RG 178/196	47-10150	5.88	5.37	4.90	4.58

REVERSE POLARITY N CONNECTORS

Reverse Polarity connectors employ female contacts in the plug connector and male contacts in the jack connector. N-RP will not mate with standard N Connectors.

- Impedance: 50Ω
- Frequency range: 0-4GHz
- Body Material: Brass
- Body Plating: Nexcote
- Contact Plating: Gold

For quantities of 500 and up, call for quote.

MOUSER STOCK NO.	Amphenol Part No.	Fig.	Description	Cable	Crimp Tool	Price Each			
						1	10	25	100
523-172100RP	172100RP	O	Straight Crimp Plug	LMR 195 / RG 58	47-10180	6.20	5.65	5.15	4.68
523-172135RP	172135RP	O	Straight Crimp Plug	LMR 240 / RG8X	47-10180	6.02	5.50	4.66	4.25
523-172102H243RP	172102H243RP	O	Straight Crimp Plug	LMR 400 / B9913	47-10210	6.51	5.95	4.39	4.16
523-172103RP	172103RP	P	Straight Crimp Jack	LMR 195 / RG 58	47-10180	4.09	3.71	3.40	3.14