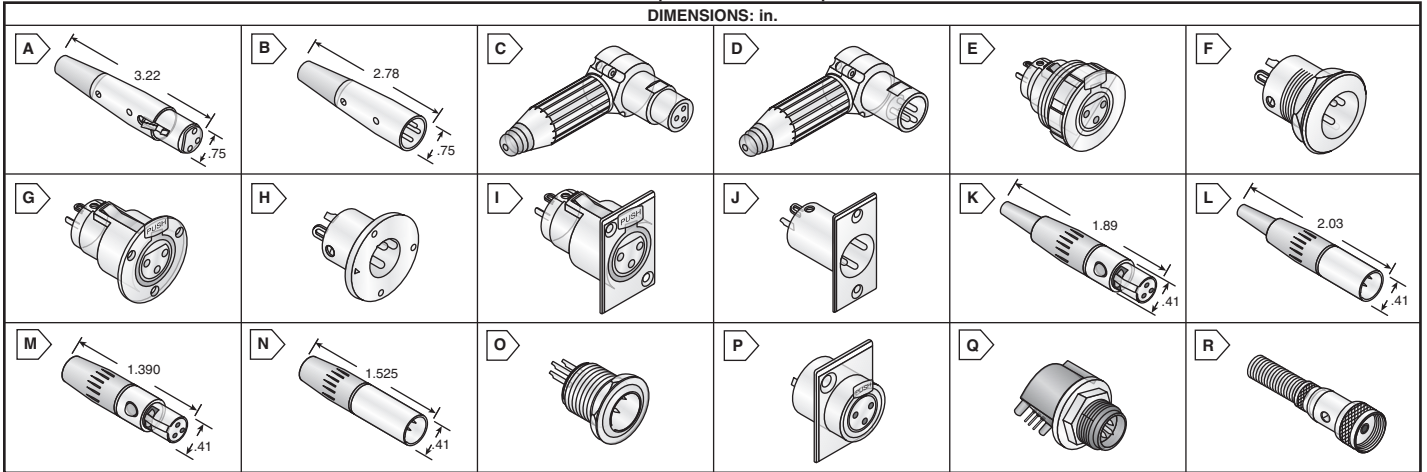


This product is RoHS compliant.

DIMENSIONS: in.



"Q-G" QUICK GROUND XLR AUDIO CONNECTORS

"Q-G" connectors feature a separate ground terminal integral with the connector shell. The high-impact thermoplastic insert is retained by a loss preventing captive design screw, female connectors have positive latch lock system.

- Specifications:**
- Current Rating: 3C = 15A, 4C = 10A, 5C = 7.5A
 - Cable Size: .21" to .30" O.D.
 - RoHS compliance per Switchcraft documentation
 - Pin and Socket Contact: Silver-plated copper alloy
 - Wire Size: 3 contact-12 AWG solid, 14 AWG stranded; 4 contact-14 AWG solid, 16 AWG stranded; 5 contact-18 AWG solid, 20 AWG stranded
 - Housing Material: Die-Cast zinc with satin nickel or black velvet finish

For quantities of 100 and up, call for quote.

MOUSER STOCK NO.	Switchcraft Part No.	Fig.	No. of Contacts	Description	Price Each		
					1	10	25
502-A3F	A3F	A	3	Female plug	6.17	4.74	4.35
502-A3FBX	A3FBX	A	3	Female plug (black)	6.68	5.01	4.59
502-A3M	A3M	B	3	Male plug	5.10	4.26	3.91
502-A3MB	A3MB	B	3	Male plug (black)	5.64	4.26	3.91
502-A4F	A4F	A	4	Female plug	8.70	6.60	6.05
502-A4M	A4M	B	4	Male plug	6.34	4.86	4.46
502-A5F	A5F	A	5	Female plug	14.20	10.65	9.76
502-A5M	A5M	B	5	Male plug	11.20	8.49	7.78
502-A6F	A6F	A	6	Female plug	18.60	16.24	14.56
502-A6M	A6M	B	6	Male plug	15.84	12.24	11.62
502-R3FZ	R3FZ	C	3	F rt. angle plug w/strain relief	11.17	10.15	8.95
502-R3MZ	R3MZ	D	3	M rt. angle plug w/strain relief	9.59	7.56	6.41

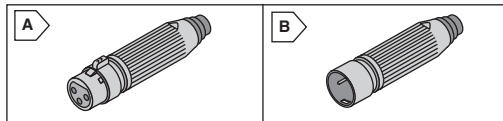
Panel Mount Receptacles For quantities of 100 and up, call for quote.

MOUSER STOCK NO.	Switchcraft Part No.	Fig.	No. of Contacts	Description	Price Each		
					1	10	25
502-B3F	B3F	E	3	Female receptacle	24.39	22.17	18.97
502-B3FBX	B3FBX	E	3	Female receptacle (black)	22.37	20.34	19.32
502-B3M	B3M	F	3	Male receptacle	12.79	11.64	9.91
502-B3MB	B3MB	F	3	Male receptacle (black)	10.78	9.80	9.31
502-B4M	B4M	F	4	Male receptacle	12.09	9.26	9.05
502-C3F	C3F	G	3	Female receptacle	8.83	8.50	6.77
502-C3M	C3M	H	3	Male receptacle	7.32	5.55	5.09
502-C4F	C4F	G	4	Female receptacle	15.69	14.51	12.99
502-C4M	C4M	H	4	Male receptacle	7.98	7.26	6.14
502-C5F	C5F	G	5	Female receptacle	26.77	24.51	20.75
502-C5M	C5M	H	5	Male receptacle	19.48	17.71	15.21
502-D3F	D3F	I	3	Female receptacle	6.68	5.10	4.66
502-D3FBXAU	D3FBXAU	I	3	F recept., black w/gold contacts	10.51	9.55	9.18
502-D3M	D3M	J	3	Male receptacle, nickel	5.10	3.99	3.66
502-D3MB	D3MB	J	3	Male receptacle, black	6.58	5.20	3.73
502-D3MBAU	D3MBAU	J	3	M recept., black w/gold contacts	8.53	7.51	6.78
502-D4F	D4F	I	4	Female receptacle, nickel	9.95	7.53	6.90
502-D4M	D4M	J	4	Male receptacle, nickel	6.23	4.71	4.32
502-D5F	D5F	I	5	Female receptacle, nickel	16.12	12.09	11.08

AAA SERIES XLR CONNECTORS

Features easy twist on combination handle/strain relief, and reduced number of parts to assemble.

- Specifications:**
- Current rating per contact: 3 pole=15 A RoHS Compliant per Switchcraft documentation.
 - Max Wire Size: 3 contact = 14 AWG



For quantities of 50 and up, call for quote.

MOUSER STOCK NO.	Switchcraft Part No.	Fig.	No. of Contacts	Contact Type/ Plating	Gender	Shell Finish	Handle Type	Handle Color	Price Each		
									1	10	25
502-AAA3FZ	AAA3FZ	A	3	Silver	Female	Nickel	Metal	Nickel	3.66	2.76	2.53
502-AAA3FBZ	AAA3FBZ	A	3	Silver	Female	Black	Metal	Black	3.59	3.26	2.80
502-AAA3FBAUZ	AAA3FBAUZ	A	3	Gold	Female	Black	Metal	Black	4.35	4.13	3.92
502-AAA3FPZ	AAA3FPZ	A	3	Silver	Female	Nickel	Plastic	Black	3.47	3.15	2.77
502-AAA3MZ	AAA3MZ	B	3	Silver	Male	Nickel	Metal	Nickel	3.31	2.53	2.31
502-AAA3MBZ	AAA3MBZ	B	3	Silver	Male	Black	Metal	Black	3.37	3.06	2.75
502-AAA3MBAUZ	AAA3MBAUZ	B	3	Gold	Male	Black	Metal	Black	4.09	3.96	3.37
502-AAA3MPZ	AAA3MPZ	B	3	Silver	Male	Nickel	Plastic	Black	3.05	2.28	2.10
502-AAA3MPBZ	AAA3MPBZ	B	3	Silver	Male	Black	Plastic	Black	3.17	2.60	2.21