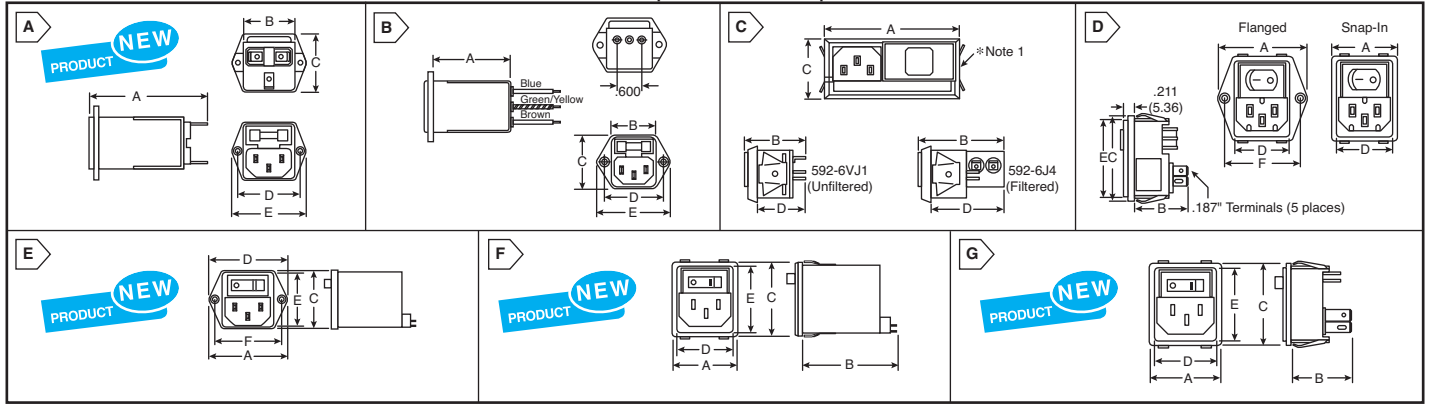


CORCOM Power Entry Modules

RoHS Compliant This product is RoHS compliant.



POWER-ENTRY MODULES WITH METRIC FUSE HOLDERS (GG SERIES)

• 5 x 20mm fuse not included

For quantities greater than listed, call for quote.

| MOUSER STOCK NO. | | Fig. | Amps | No. of Fuse Holders | Dimensions: in. (mm) | | | | | Price Each | | | |
|------------------|---------------|------|------|---------------------|----------------------|--------------|--------------|--------------|-------|------------|-------|-------|----|
| Mfr. | Mfr. Part No. | | | | A | B | C | D | E | 1 | 10 | 25 | 50 |
| 592-1EGG1-2 | A | 1 | 2 | 1.66 (51.10) | 1.13 (28.70) | 1.29 (32.77) | 1.41 (33.30) | 1.76 (44.70) | 15.36 | 14.09 | 13.00 | 12.08 | |
| 592-6EGG1-1 | A | 6 | 1 | 1.66 (51.10) | 1.13 (28.70) | 1.29 (32.77) | 1.41 (33.30) | 1.76 (44.70) | 10.91 | 10.00 | 9.24 | 8.58 | |
| 592-6EGG1-2 | A | 6 | 2 | 1.66 (51.10) | 1.13 (28.70) | 1.29 (32.77) | 1.41 (33.30) | 1.76 (44.70) | 14.66 | 13.33 | 12.21 | 11.27 | |
| 592-6EGG8-2 | B | 6 | 2 | 2.02 (51.10) | 1.13 (28.70) | 1.29 (32.80) | 1.42 (36.00) | 1.76 (44.70) | 22.47 | 20.43 | 17.36 | 15.62 | |
| 592-10EGG1-1 | A | 10 | 1 | 2.15 (54.61) | 1.13 (28.70) | 1.29 (32.76) | 1.42 (36.06) | 1.76 (44.70) | 15.18 | 14.23 | 12.81 | 11.91 | |
| 592-10EGG1-2 | A | 10 | 2 | 2.15 (54.61) | 1.13 (28.70) | 1.29 (32.76) | 1.42 (36.06) | 1.76 (44.70) | 15.59 | 14.56 | 13.10 | 12.22 | |

J SERIES - VOLTAGE SELECTING AND FUSED CONNECTOR

6 Amps; 120 - 250 Volts AC; 50-60 Hz

• 5 x 20mm fuse not included

For quantities greater than listed, call for quote.

| MOUSER STOCK NO. | | Fig. | Amps | Filtered | Dimensions: in. (mm) | | | | Price Each | | | |
|------------------|---------------|------|------|--------------|----------------------|--------------|--------------|-----------|------------|-------|-------|----|
| Mfr. | Mfr. Part No. | | | | A (Max.) | B1 (Max.) | C (Max.) | D (±.008) | 1 | 10 | 25 | 50 |
| 592-6VJ1 | C | 6 | No | 2.68 (68.10) | 1.52 (38.60) | 1.17 (29.70) | 1.23 (31.20) | 14.32 | 13.01 | 11.83 | 10.76 | |
| 592-6J4 | C | 6 | Yes | 2.75 (69.90) | 1.87 (47.50) | 1.17 (29.70) | 1.58 (40.10) | 25.32 | 23.22 | 21.43 | 19.90 | |

C SERIES - POWER ENTRY MODULE WITH IEC CONNECTOR

* Pre-Connected Terminals

For quantities greater than listed, call for quote.

| MOUSER STOCK NO. | | Fig. | Amps | Mount Type | Filtered | Dimensions: in. (mm) | | | | | | Price Each | | | |
|------------------|---------------|------|---------|------------|--------------|----------------------|--------------|--------------|--------------|--------------|-------|------------|-------|-------|----|
| Mfr. | Mfr. Part No. | | | | | A (Max.) | B (Max.) | C (Max.) | D | E | F | 1 | 10 | 25 | 50 |
| 592-3CFE1 | D | 3 | Flange | Yes | 1.74 (44.20) | 2.53 (64.26) | 1.62 (41.17) | 1.12 (28.50) | 1.54 (39.12) | 1.42 (36.00) | 21.19 | 19.27 | 17.51 | 15.93 | |
| 592-3CFS1 | D | 3 | Snap-in | Yes | 1.23 (31.24) | 2.53 (64.26) | 1.62 (41.17) | 1.12 (28.50) | 1.54 (39.12) | --- | 18.35 | 16.83 | 15.54 | 14.41 | |
| 592-6CFE1 | D | 6 | Flange | Yes | 1.74 (44.20) | 2.53 (64.26) | 1.62 (41.17) | 1.12 (28.50) | 1.54 (39.12) | 1.42 (36.00) | 17.74 | 16.49 | 15.21 | 14.13 | |
| 592-6CFS1 | D | 6 | Snap-in | Yes | 1.23 (31.24) | 2.53 (64.26) | 1.62 (41.17) | 1.12 (28.50) | 1.54 (39.12) | --- | 17.11 | 15.69 | 14.48 | 13.45 | |
| *592-10CBE1 | D | 10 | Flange | No | 1.74 (44.20) | 0.97 (24.64) | 1.62 (41.17) | 1.06 (26.92) | 1.54 (39.12) | 1.42 (36.00) | 9.71 | 8.83 | 7.51 | 6.76 | |
| 592-10CE1 | D | 10 | Flange | No | 1.74 (44.20) | 0.97 (24.64) | 1.62 (41.17) | 1.06 (26.92) | 1.54 (39.12) | 1.42 (36.00) | 9.25 | 8.41 | 7.65 | 6.96 | |
| 592-10CFE1 | D | 10 | Flange | Yes | 1.74 (44.20) | 2.53 (64.26) | 1.62 (41.17) | 1.12 (28.50) | 1.54 (39.12) | 1.42 (36.00) | 19.49 | 17.87 | 16.50 | 15.33 | |
| 592-10CFS1 | D | 10 | Snap-in | Yes | 1.23 (31.24) | 2.53 (64.26) | 1.62 (41.17) | 1.12 (28.50) | 1.54 (39.12) | --- | 19.02 | 17.43 | 17.10 | 16.94 | |
| 592-10CS1 | D | 10 | Snap-in | No | 1.23 (31.24) | 0.97 (24.64) | 1.62 (41.17) | 1.06 (26.92) | 1.54 (39.12) | --- | 6.56 | 6.25 | 5.80 | 5.67 | |
| 592-10SCS1 | D | 15 | Snap-in | No | 1.23 (31.24) | 0.97 (24.64) | 1.62 (41.17) | 1.06 (26.92) | 1.54 (39.12) | --- | 6.38 | 5.83 | 5.41 | 5.03 | |
| 592-15CBS1 | D | 15 | Snap-in | No | 1.23 (31.24) | 0.97 (24.64) | 1.62 (41.17) | 1.06 (26.92) | 1.54 (39.12) | --- | 7.49 | 6.80 | 6.24 | 5.87 | |
| 592-15CE1 | D | 15 | Flange | No | 1.74 (44.20) | 0.97 (24.64) | 1.62 (41.17) | 1.06 (26.92) | 1.54 (39.12) | 1.42 (36.00) | 6.38 | 5.83 | 5.41 | 5.03 | |
| *592-15CBE1 | D | 15 | Flange | No | 1.74 (44.20) | 0.97 (24.64) | 1.62 (41.17) | 1.06 (26.92) | 1.54 (39.12) | 1.42 (36.00) | 7.49 | 6.80 | 6.24 | 5.87 | |

CU SERIES

Specifications:

- Filling the need for smaller versions of Corcom's Switched inlet filters.
- Provides complete shielding, shrouded quick connect terminals and basic filtering for 1A-15A applications
- Compact 1U height (1 3/4")

* Pre-Connected Terminals

For quantities greater than listed, call for quote.

| MOUSER STOCK NO. | | Fig. | Amps | Mount Type | Filtered | Dimensions: in. (mm) | | | | | | Price Each | | | |
|------------------|---------------|------|---------|------------|--------------|----------------------|--------------|--------------|--------------|--------------|-------|------------|-------|-------|----|
| Mfr. | Mfr. Part No. | | | | | A (Max.) | B (Max.) | C (Max.) | D | E | F | 1 | 10 | 25 | 50 |
| 592-1CUFS1 | F | 1 | Snap-In | Yes | 1.20 (30.60) | 1.80 (45.00) | 1.34 (34.10) | 1.11 (28.10) | 1.26 (32.00) | --- | 20.28 | 18.41 | 16.88 | 15.89 | |
| 592-1CUFF1 | E | 1 | Flange | Yes | 1.70 (43.10) | 1.80 (45.00) | 1.34 (34.10) | 1.21 (30.80) | 1.35 (34.30) | 1.45 (36.80) | 20.28 | 18.41 | 16.88 | 15.89 | |
| 592-1CUFE1 | E | 1 | Flange | Yes | 1.73 (43.90) | 1.75 (44.50) | 1.34 (34.10) | 1.11 (28.10) | 1.26 (31.90) | 1.45 (36.80) | 20.28 | 18.41 | 16.88 | 15.89 | |
| 592-3CUFF1 | F | 3 | Snap-In | Yes | 1.20 (30.60) | 1.80 (45.00) | 1.34 (34.10) | 1.11 (28.10) | 1.26 (32.00) | --- | 20.28 | 18.41 | 16.88 | 15.89 | |
| 592-3CUFF1 | E | 3 | Flange | Yes | 1.70 (43.10) | 1.80 (45.00) | 1.34 (34.10) | 1.21 (30.80) | 1.35 (34.30) | 1.45 (36.80) | 20.33 | 18.46 | 16.92 | 15.94 | |
| 592-3CUFE1 | E | 3 | Flange | Yes | 1.73 (43.90) | 1.75 (44.50) | 1.34 (34.10) | 1.11 (28.10) | 1.26 (31.90) | 1.45 (36.80) | 20.00 | 18.16 | 16.65 | 15.67 | |
| 592-6CUFF1 | F | 6 | Snap-In | Yes | 1.20 (30.60) | 1.80 (45.00) | 1.34 (34.10) | 1.11 (28.10) | 1.26 (32.00) | --- | 20.20 | 18.35 | 16.82 | 15.83 | |
| 592-6CUFF1 | F | 6 | Flange | Yes | 1.70 (43.10) | 1.80 (45.00) | 1.34 (34.10) | 1.21 (30.80) | 1.35 (34.30) | 1.45 (36.80) | 20.33 | 18.46 | 16.92 | 15.94 | |
| 592-6CUFE1 | F | 6 | Flange | Yes | 1.73 (43.90) | 1.75 (44.50) | 1.34 (34.10) | 1.11 (28.10) | 1.26 (31.90) | 1.45 (36.80) | 20.28 | 18.41 | 16.88 | 15.89 | |
| 592-10CUFF1 | E | 10 | Snap-In | Yes | 1.20 (30.60) | 1.80 (45.00) | 1.34 (34.10) | 1.11 (28.10) | 1.26 (32.00) | --- | 20.28 | 18.41 | 16.88 | 15.89 | |
| 592-10CUFF1 | E | 10 | Flange | Yes | 1.70 (43.10) | 1.80 (45.00) | 1.34 (34.10) | 1.21 (30.80) | 1.35 (34.30) | 1.45 (36.80) | 20.33 | 18.46 | 16.92 | 15.94 | |
| 592-10CUFE1 | E | 10 | Flange | Yes | 1.73 (43.90) | 1.75 (44.50) | 1.34 (34.10) | 1.11 (28.10) | 1.26 (31.90) | 1.45 (36.80) | 20.28 | 18.41 | 16.88 | 15.89 | |
| 592-15CUS1 | E | 15 | Flange | No | 1.20 (30.60) | 0.97 (24.60) | 1.34 (34.10) | 1.04 (26.40) | 1.26 (32.00) | --- | 6.85 | 6.22 | 5.70 | 5.37 | |
| 592-15CUFF1 | F | 15 | Snap-In | Yes | 1.20 (30.60) | 1.80 (45.00) | 1.34 (34.10) | 1.11 (28.10) | 1.26 (32.00) | --- | 21.89 | 19.87 | 18.22 | 17.15 | |
| 592-15CUFF1 | E | 15 | Flange | Yes | 1.70 (43.10) | 1.80 (45.00) | 1.34 (34.10) | 1.21 (30.80) | 1.35 (34.30) | 1.45 (36.80) | 21.96 | 19.94 | 18.28 | 17.21 | |
| 592-15CUFE1 | E | 15 | Flange | Yes | 1.73 (43.90) | 1.75 (44.50) | 1.34 (34.10) | 1.11 (28.10) | 1.26 (31.90) | 1.45 (36.80) | 21.89 | 19.87 | 18.22 | 17.15 | |
| 592-15CUE1 | G | 15 | Snap-In | No | 1.73 (43.90) | 0.96 (24.60) | 1.34 (34.10) | 1.06 (26.90) | 1.09 (27.60) | --- | 6.85 | 6.22 | 5.70 | 5.37 | |
| 592-15CUBS1 | F | 15 | Snap-In | No | 1.20 (30.60) | 0.97 (24.60) | 1.34 (34.10) | 1.04 (26.40) | 1.26 (32.00) | --- | 7.75 | 7.04 | 6.45 | 6.08 | |
| *592-15CUBE1 | E | 15 | Flange | No | 1.73 (43.90) | 0.96 (24.60) | 1.34 (34.10) | 1.06 (26.90) | 1.09 (27.60) | 1.45 (36.80) | 7.75 | 7.04 | 6.45 | 6.08 | |
| 592-15CU1S1 | G | 15 | Snap-In | No | 1.20 (30.60) | 0.97 (24.60) | 1.34 (34.10) | 1.05 (26.70) | 1.24 (31.60) | --- | 6.36 | 5.78 | 5.30 | 4.99 | |
| 592-15CU1BS1 | F | 15 | Snap-In | No | 1.20 (30.60) | 0.97 (24.60) | 1.34 (34.10) | 1.05 (26.70) | 1.24 (31.60) | --- | 7.75 | 7.04 | 6.45 | 6.08 | |
| 592-15CU10S1 | G | 15 | Snap-In | No | 1.20 (30.60) | 0.97 (24.60) | 1.34 (34.10) | 1.05 (26.70) | 1.24 (31.60) | --- | 6.36 | 5.78 | 5.30 | 4.99 | |
| 592-15CU10BS1 | F | 15 | Snap-In | No | 1.20 (30.60) | 0.97 (24.60) | 1.34 (34.10) | 1.05 (26.70) | 1.24 (31.60) | --- | 7.75 | 7.04 | 6.45 | 6.08 | |