

QUALTEK AC Power Receptacles

Qualtek ELECTRONICS CORPORATION

Primary Power Components Div.
PFI Power Line Filters

AC POWER INLETS IEC 320 - C14

Male low current inlet with snap-in and screw mount version.

• Max. Rating: UL & CSA 15A/250VAC - VDE 10A/250VAC

* Universal snap-in feature to fit .08mm - 2.0mm panel thickness.
** Panel thickness 1.5mm

† Do not have countersunk holes
†† Have countersunk holes



RoHS Compliant

For quantities of 100 and up, call for quote.

MOUSER STOCK NO.	Qualtek Part No.	Fig.	Description	Terminals	Price Each			
					1	10	25	50
* 562-701W-X2/02	701W-X2/02	A	Snap-In Mount	Solder Tab	.62	.60	.58	.56
* 562-701W-X2/03	701W-X2/03	A	Snap-In Mount	.187 Q.D./Solder	.65	.54	.51	.48
* 562-701W-X2/04	701W-X2/04	A	Snap-In Mount	.250 Q.D.	.62	.54	.51	.48
** 562-701W-15/21	701W-15/21	B	Snap-In Mount	Solder Tab	.63	.60	.55	.53
** 562-701W-15/26	701W-15/26	B	Snap-In Mount	.187 Q.D./Solder	.75	.68	.54	.46
** 562-701W-15/31	701W-15/31	B	Snap-In Mount	.250 Q.D.	.78	.73	.69	.65
† 562-703W-00/02	703W-00/02	C	Screw Mount	Solder Tab	.80	.73	.71	.65
† 562-703W-00/03	703W-00/03	C	Screw Mount	.187 Q.D./Solder	.68	.65	.63	.60
† 562-703W-00/04	703W-00/04	C	Screw Mount	.250 Q.D.	.78	.76	.74	.72
†† 562-703W-00/06	703W-00/06	C	Screw Mount	Solder Tab	.90	.75	.72	.68
†† 562-703W-00/07	703W-00/07	C	Screw Mount	.187 Q.D./Solder	.75	.72	.70	.68
†† 562-703W-00/08	703W-00/08	C	Screw Mount	.250 Q.D.	.72	.64	.60	.55

ANGLED INLET PCB MOUNT IEC 320 - C14

Male right angled PCB mount power inlet with 40mm mounting centers.

• Max. Rating: UL & CSA 15A/250VAC - VDE 10A/250VAC



RoHS Compliant

For quantities of 100 and up, call for quote.

MOUSER STOCK NO.	Qualtek Part No.	Fig.	Description	Terminals	Price Each			
					1	10	25	50
562-703W-00/52	703W-00/52	D	PCB Mount - Round Pins	7 mm	1.04	.99	.96	.91
562-703W-00/53	703W-00/53	E	PCB Mount - Flat Pins	7 mm	.82	.74	.61	.53
562-703W-00/54	703W-00/54	F	PCB Mount - Flat Pins	9 mm	.75	.69	.61	.58

POWER INLET WITH FUSEHOLDER IEC 320 - C14

Male power inlets with a fuseholder for single fuse.

• Max. Rating: UL & CSA 10A/250VAC - VDE 10A/250VAC



RoHS Compliant

For quantities of 100 and up, call for quote.

MOUSER STOCK NO.	Qualtek Part No.	Fig.	Description	Terminals	Price Each			
					1	10	25	50
562-719W-00/02	719W-00/02	G	Screw Mount	Solder Tab	1.15	1.09	1.03	.98
562-719W-00/03	719W-00/03	G	Screw Mount	.187 Q.D./Solder	1.74	1.64	1.58	1.54
562-719W-00/04	719W-00/04	G	Screw Mount	.250 Q.D.	1.03	.97	.92	.88
562-723W-X2/02	723W-X2/02	H	Snap-In Mount	Solder Tab	1.74	1.64	1.58	1.53
562-723W-X2/03	723W-X2/03	H	Snap-In Mount	.187 Q.D./Solder	1.83	1.76	1.69	1.58
562-723W-X2/04	723W-X2/04	H	Snap-In Mount	.250 Q.D.	2.00	1.91	1.86	1.81

NEMA 1-15R, 5-15R, 5-20R POWER OUTLET

Snap-in outlets with quick disconnect and IDC terminals.

* Recommended for use with 12 or 14 AWG wire

** Recommended for use with 16 or 18 AWG wire

◆ RoHS, CSA and UR approvals only



RoHS Compliant

For quantities of 100 and up, call for quote.

MOUSER STOCK NO.	Qualtek Part No.	Fig.	Description	Nema Type	Terminals	Max. Rating	Price Each			
							1	10	25	50
◆ 562-738W-CX2-01	738W-CX2/01	I	Snap-In Mount	1-15R	Q.D./Solder	15A/125VAC	.59	.52	.43	.38
562-738W-X2/03	738W-X2/03	J	Snap-In Mount	5-15R	Q.D./Solder	15A/125VAC	.71	.65	.60	.56
* 562-739W-X2/03	739W-X2/03	K	Snap-In Mount	5-15R	IDC	15A/125VAC	.73	.66	.61	.59
** 562-739W-X2/04	739W-X2/04	K	Snap-In Mount	5-15R	IDC	10A/125VAC	.76	.731	.71	.69
562-739W-X2/20	739W-X2/20	L	Snap-In Mount	1-15R	IDC	20A/125VAC	.90	.85	.82	.80

AC POWER PLUG ASSEMBLIES

Male and female rewirable plug connectors with straight and 90° angle cable entry. Easily converts a power cord into a detachable power cordset.

◆ UL, CSA approvals only • Max. Rating: UL, CSA, VDE 10A/250VAC



RoHS Compliant

For quantities of 100 and up, call for quote.

MOUSER STOCK NO.	Qualtek Part No.	Fig.	Description	Terminals	Price Each			
					1	10	25	50
562-704-00/00	704-00/00	M	Straight Entry	Screw	3.45	3.31	3.18	3.07
562-705-00/00	705-00/00	N	Angled Entry	Screw	4.50	4.35	4.25	4.00
◆ 562-711-00/00	711-00/00	O	Angled Entry/Adjustable	Screw	6.40	6.20	6.00	5.82
562-712-00/00	712-00/00	P	Straight Entry	Screw	6.40	6.20	6.00	5.47
562-709-00/00	709-00/00	Q	Straight Entry	Screw	5.70	5.42	5.14	4.88

MULTI-FUNCTION MODULES IEC 320 - C14

Both snap-in and screw mount incorporates an IEC male power inlet, fuseholder and optional voltage selector and power switch.

• Max. Rating: UL & CSA 6A/250VAC; VDE 10A/250VAC

* Panel Thickness: 1.0-1.8mm

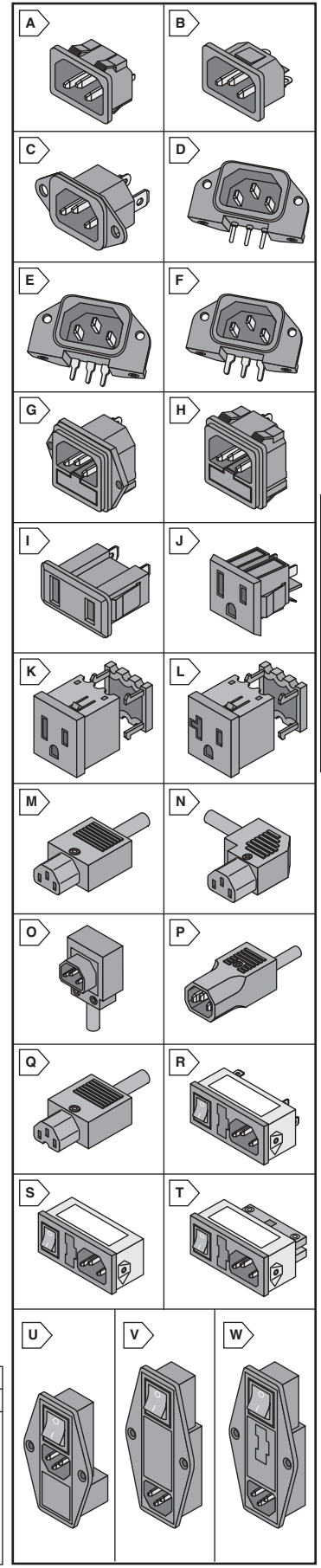
** Fuseholder for 5 x 20 (EURO) or 6.3 x 32mm (North American Type)



RoHS Compliant

For quantities of 100 and up, call for quote.

MOUSER STOCK NO.	Qualtek Part No.	Fig.	Description	Housing	Terminal	Fuseholder Switch	Power Selector	Voltage	Price Each			
									1	10	25	50
* 562-761-18/003	761-18/003	R	Snap-In Mount	Plastic	Solder Tab	Single 5 x 20	SPST	--	6.50	5.99	5.65	5.50
* 562-761-18/004	761-18/004	R	Snap-In Mount	Plastic	Solder Tab	Single 5 x 20	DPST	--	10.24	10.00	9.75	9.56
* 562-762-18/002	762-18/002	S	Snap-In Mount	Metal	.250 Q.D.	Single 5 x 20	SPST	--	8.34	8.15	7.95	7.78
* 562-762-18/3	762-18/003	S	Snap-In Mount	Metal	.250 Q.D.	Single 5 x 20	DPST	--	12.88	12.50	12.02	11.57
* 562-762-18/004	762-18/004	T	Snap-In Mount	Metal	.250 Q.D.	Single 5 x 20	SPST	Rear	12.87	12.50	12.02	11.35
* 562-762-18/005	762-18/005	T	Snap-In Mount	Metal	.250 Q.D.	Single 5 x 20	DPST	Rear	19.36	18.90	18.26	17.60
** 562-763-00/01	763-00/001	U	Screw Mount	Plastic	Solder Tab	Double ††	DPST	Front	6.56	6.45	6.25	6.06
562-764-00/002	764-00/002	V	Screw Mount	Plastic	Solder Tab	Double 5 x 20	DPST	--	8.29	7.46	6.89	6.74
562-764-00/003	764-00/003	W	Screw Mount	Plastic	Solder Tab	Double 5 x 20	DPST	Front	8.98	8.75	8.50	8.38



AC Power Connectors
Qualtek