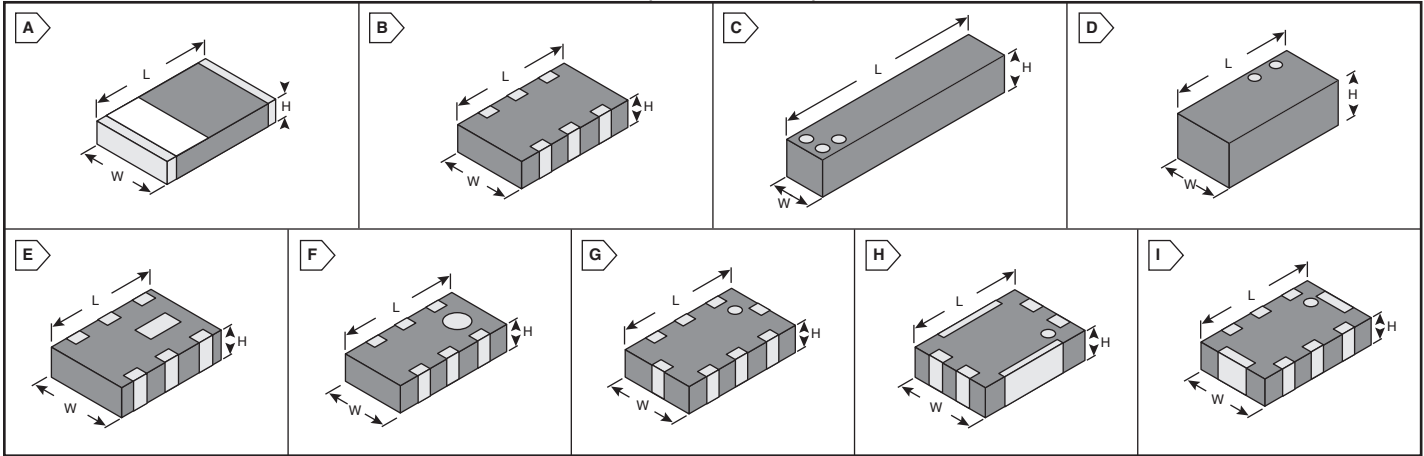


# WALSIN Antennas, Baluns, and Balance Filters



RoHS Compliant This product is RoHS compliant.



Antennas

Walsin

## BLUETOOTH / WLAN ANTENNAS

For quantities of 1000 and up, call for quote.

MOUSER STOCK NO.		Fig.	Dimensions (mm)			Frequency Range	Polarization	Gain (Typ)	Impedance (Ω)	VSWR (Max)	Bandwidth	Price Each				
Mfr.	Mfr. Part No.		L	W	H							1	50	100	500	
<b>Chip 2.4GHz ISM Band</b>																
791	—RFANT3216120A1T	A	3.20±0.20	1.60±0.10	1.20±0.10	2450 ± 50MHz	Linear	2 dBi	50	2.0	150MHz	1.74	1.16	.798	.55	
791	—RFANT3216120A3T	A	3.20±0.20	1.60±0.10	1.20±0.10	2450 ± 50MHz	Linear	2 dBi	50	2.0	150MHz	1.74	1.16	.798	.55	
791	—RFANT3216120A5T	A	3.20±0.20	1.60±0.10	1.20±0.10	2450 ± 50MHz	Linear	2 dBi	50	2.0	150MHz	1.74	1.16	.798	.55	
791	—RFANT5220110A0T	A	2.00±0.20	5.00±0.20	1.15±0.10	2.4~2.5GHz	Linear	2 dBi	50	2.0	100MHz	2.28	1.52	1.05	.726	
791	—RFANT5220110A2T	A	2.00±0.20	5.00±0.20	1.15±0.10	2.4~2.5GHz	Linear	2 dBi	50	2.0	100MHz	2.28	1.52	1.05	.726	
791	—RFANT9520120A0T	A	9.50±0.20	2.00±0.20	1.20±0.20	2.4~2.6GHz	Linear	2 dBi	50	2.0	200MHz	2.28	1.52	1.05	.726	
<b>Chip 2.4/4.9/5.8GHz Multiband</b>																
791	—RFANT6050110L0T	B	5.90±0.30	5.10±0.30	1.10±0.10	2.45GHz 5.25GHz 5.85GHz	Linear	1.5dBi 4.0dBi 4.0dBi	50	2.0	100MHz 200MHz 100MHz	4.16	2.77	1.91	1.32	
791	—RFANT6050110L1T	B	5.90±0.30	5.10±0.30	1.10±0.10	2.45GHz 5.25GHz 5.85GHz	Linear	1.5dBi 4.0dBi 4.0dBi	50	2.0	100MHz 200MHz 100MHz	4.16	2.77	1.91	1.32	
<b>Free 2.4GHz ISM Band</b>																
791	—RGFRA1903041A1T	C	1.90±0.15	3.00±0.15	3.80±0.20	2.45GHz	Linear	2 dBi	50	2.0	200MHz	5.55	3.70	2.55	1.76	
791	—RGFRA9937380A3T	D	9.90±0.15	3.70±0.15	3.80±0.20	2.55GHz	Linear	2 dBi	50	2.0	100MHz	4.44	2.96	2.04	1.41	

## HIGH FREQUENCY BALUNS

For quantities of 1000 and up, call for quote.

MOUSER STOCK NO.		Fig.	Dimensions (mm)			Frequency Range	Impedance (Ω)		Return Loss (dB) (Min)	Inband Amplitude Imbalance (dB)	Phase Difference	Insertion Loss (dB)	Price Each			
Mfr.	Mfr. Part No.		L	W	H		Unbalanced	Balanced					1	50	100	500
<b>2.4GHz ISM Band</b>																
791	—RGLN1608070A1T	E	1.60±0.10	0.85±0.10	0.70±0.10	2450±50MHz	50	100	10	2.0	180°±15°	1.5	.83	.555	.383	.264
791	—RGLN1608070A5T	E	1.60±0.10	0.85±0.10	0.70±0.10	2450±50MHz	50	100	10	2.0	180°±10°	1.2	.83	.555	.383	.264
791	—RGLN2012080A4T	F	2.00±0.15	1.25±0.15	0.80±0.10	2450±50MHz	50	50	10	2.0	180°±10°	1.5	.83	.555	.383	.264
791	—RFBLN2012090A0T	E	2.00±0.15	1.25±0.15	0.95±0.10	2450±50MHz	50	50	10	2.0	180°±10°	1.2	.83	.555	.383	.264
791	—RFBLN2012090A1T	E	2.00±0.15	1.25±0.15	0.95±0.10	2450±50MHz	50	100	10	2.0	180°±10°	1.0	.83	.555	.383	.264
791	—RFBLN2012090A2T	E	2.00±0.15	1.25±0.15	0.95±0.10	2450±50MHz	50	200	10	2.0	180°±10°	1.0	1.11	.74	.51	.352
<b>5.2/5.8GHz ISM Dualband</b>																
791	—RFBLN2012090K0T	E	2.00±0.15	1.25±0.15	0.95±0.10	5400±500MHz	50	50	-10	2.0	180°±10°	-1.1	.83	.555	.383	.264
791	—RFBLN2012090K1T	E	2.00±0.15	1.25±0.15	0.95±0.10	5400±500MHz	50	100	-10	2.0	180°±10°	-1.2	.83	.555	.383	.264

## HIGH FREQUENCY BALANCE FILTERS, 2.4GHZ ISM BAND

For quantities of 1000 and up, call for quote.

MOUSER STOCK NO.		Fig.	Dimensions (mm)			Frequency Range	Insertion Loss (dB)	Impedance (Ω)		Phase Difference	Amplitude Difference (dB)	Attenuation (dB) (Min)	Price Each			
Mfr.	Mfr. Part No.		L	W	H			Unbalanced	Balanced				1	50	100	500
791	—RFBPB2012090A1T	G	2.00±0.15	1.25±0.15	0.90±0.10	2450 ±50MHz	3.5 dB	50	Match BC series	180°±10°	2.0	35 @880-960MHz 30 @1710-1880MHz 20 @1880-1990MHz 30 @4800-5000MHz	1.74	1.16	.798	.55
791	—RFBPB2012090A3T	G	2.00±0.15	1.25±0.15	0.90±0.10	2450 ±50MHz	3.5 dB	50	Match BC series	180°±10°	2.0	35 @880-960MHz 30 @1710-1880MHz 20 @1880-1990MHz 30 @4800-5000MHz	1.74	1.16	.798	.55
791	—RFBPB2012090A9T	G	2.00±0.15	1.25±0.15	0.90±0.10	2450 ±50MHz	2.8 dB	50	Match BC series	180°±10°	2.0	35 @880-960MHz 25 @1710-1880MHz 30 @4800-5000MHz	1.74	1.16	.798	.55
791	—RFBPB2012110A5T	G	2.00±0.15	1.25±0.15	1.10±0.10	2450 ±50MHz	2.8 dB	50	Match BC series	180°±10°	2.0	30 @880-960MHz 30 @1710-1880MHz 20 @1880-1990MHz 30 @4800-5000MHz	1.74	1.16	.798	.55
791	—RGBPB2520090A5T	H	2.50±0.20	2.00±0.20	0.95±0.10	2450 ±50MHz	3.0 dB	50	Match BC series	180°±15°	1.5	40 @880-960MHz 40 @1710-1880MHz 20 @1880-1990MHz 30 @4800-5000MHz	3.14	2.09	1.44	.99
791	—RGBPB2520090A6T	H	2.50±0.20	2.00±0.20	0.95±0.10	2450 ±50MHz	3.5 dB	50	Match BC series	180°±15°	1.5	40 @880-960MHz 40 @1710-1880MHz 20 @1880-1990MHz 30 @4800-5000MHz	3.14	2.09	1.44	.99
791	—RFBPB2520090A7T	I	2.50±0.20	2.00±0.20	0.95±0.10	2450 ±50MHz	3.5 dB	50	Match BRF6150	180°±15°	1.5	35 @880-960MHz 30 @1710-1880MHz 25 @1880-1990MHz 25 @4800-5000MHz	3.14	2.09	1.44	.99

